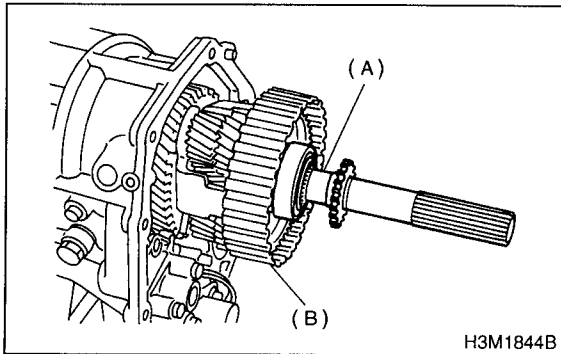


12. Rear Drive Shaft SS10156

A: REMOVAL SS10156A18

- 1) Remove rear vehicle speed sensor and separate the extension case from the transmission case. <Ref. to AT-36 REMOVAL, Extension Case.>
- 2) Extract the rear drive shaft from the center differential assembly.



- (A) Rear drive shaft
- (B) Center differential carrier

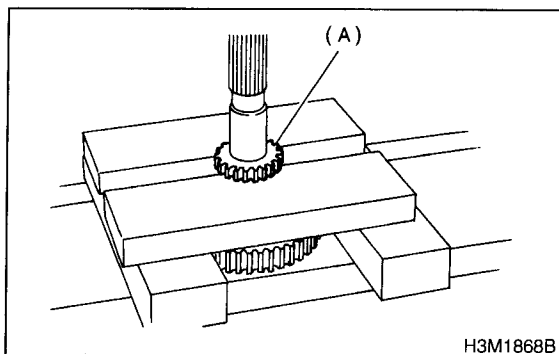
- 3) Remove the drive plate and driven plate.

B: INSTALLATION SS10156A11

- 1) Install the drive plate and driven plate.
- 2) Insert the rear drive shaft into the center differential assembly.
- 3) Combine the transmission case with the extension case, and install the rear vehicle speed sensor. <Ref. to AT-36 INSTALLATION, Extension Case.>

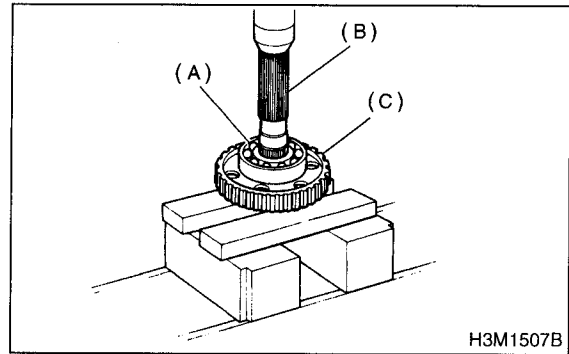
C: DISASSEMBLY SS10156A06

- 1) Using a press, remove the revolution gear.



- (A) Revolution gear

- 2) Using a press, remove the front and rear side ball bearings and clutch hub.



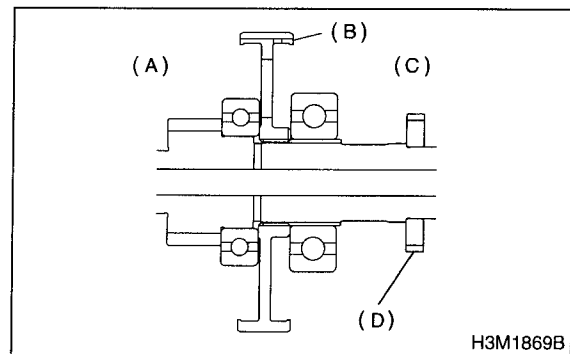
- (A) Rear ball bearing
- (B) Rear drive shaft
- (C) Clutch hub

D: ASSEMBLY SS10156A02

Assembly is in the reverse order of disassembly.

CAUTION:

- Be sure to use a new ball bearings and revolution gear.
- Pay attention to the direction of the clutch hub.



- (A) Front
- (B) Clutch hub
- (C) Rear
- (D) Revolution gear

E: INSPECTION SS10156A10

- Make sure that each component is free of harmful gouges, cuts, or dust.
- Measure the extension end play and adjust to within specifications. <Ref. to AT-44 WITH VTD, ADJUSTMENT, Transfer Clutch.>