

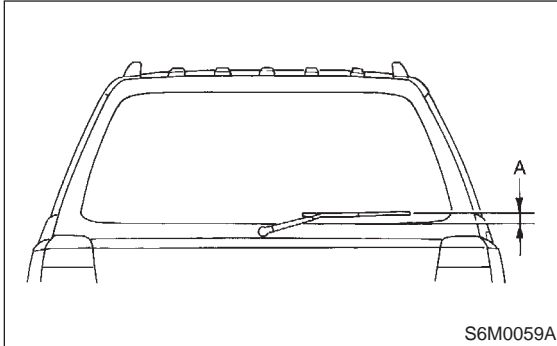
6. Rear Wiper and Washer

A: ADJUSTMENT

- 1) Adjust wiper blade in original position as shown in figure by changing wiper arm installation.

Original position:

A: 30 ± 5 mm (1.18 ± 0.20 in)

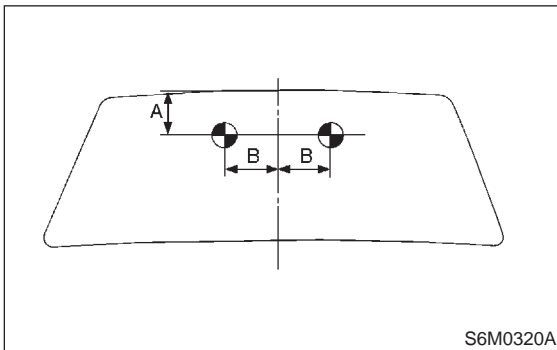


- 2) Adjust washer ejecting point on rear gate window as shown in the figure when the vehicle stops.

Ejecting point:

A: 80 mm (3.15 in)

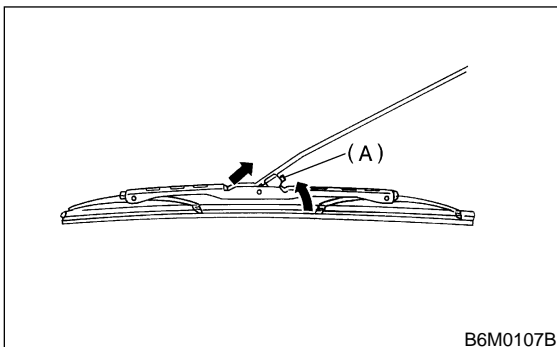
B: 70 mm (2.76 in)



B: REMOVAL AND INSTALLATION

1. BLADE

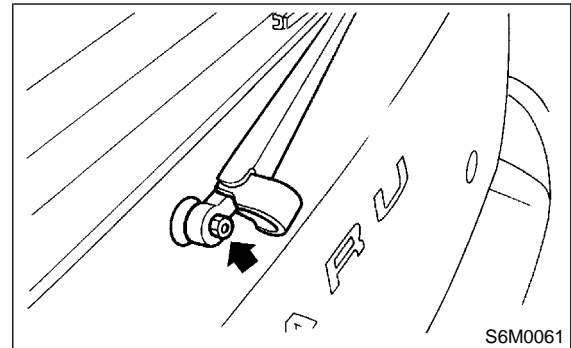
- 1) Pull out blade following the arrow direction, from arm while pushing up locking clip (A).



- 2) Install in the reverse order of removal.

2. WIPER ARM

- 1) Remove head cover.
- 2) Remove nut and wiper arm.



- 3) Install in the reverse order of removal.

NOTE:

Remove metal sludge from the wiper arm fixture before installing it.

Tightening torque:

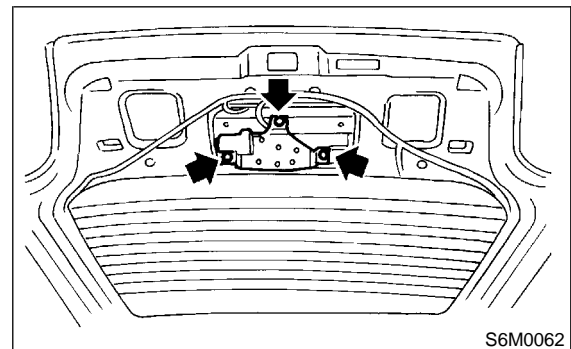
7.8 ± 1.5 N-m (0.8 ± 0.15 kg-m, 5.8 ± 1.1 ft-lb)

3. WIPER MOTOR

- 1) Disconnect ground cable from battery.
- 2) Remove wiper arm.
- 3) Remove rear gate trim.
- 4) Undo clips which secure harness, and disconnect connector of wiper motor.
- 5) Remove attaching screws and take out wiper motor assembly.

CAUTION:

Be careful not to damage O-ring when removing wiper motor assembly.



- 6) Install in the reverse order of removal.

Tightening torque:

5.9 ± 1.5 N-m (0.6 ± 0.15 kg-m, 4.3 ± 1.1 ft-lb)

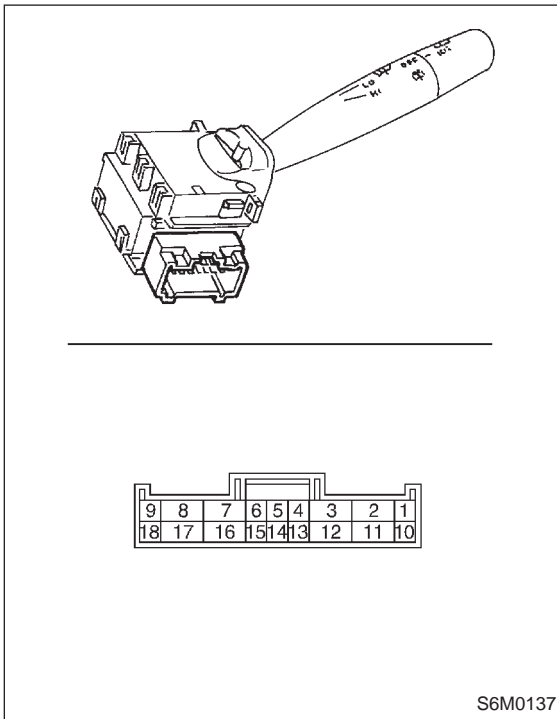
C: INSPECTION

1. COMBINATION SWITCH (REAR WIPER)

Set rear wiper and washer switch to each position and check continuity between terminals.

Terminal Switch position	10	12		2
WASH	○	○	—	○
OFF				
ON	○	—	—	○
WASH	○	○	—	○

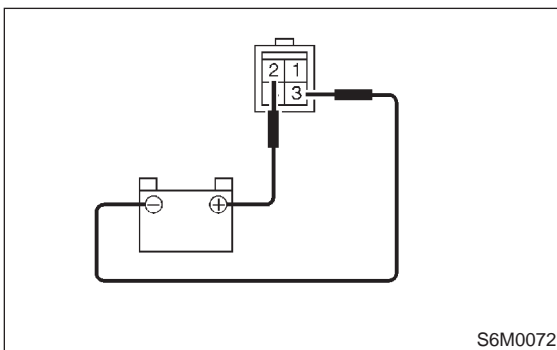
H6M0502C



S6M0137

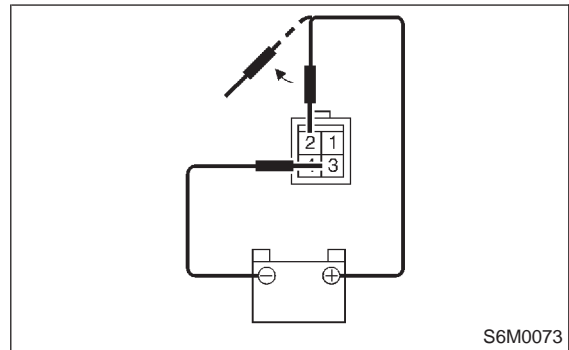
2. WIPER MOTOR

1) Operational check:
Connect battery to wiper motor and check operation of wiper motor.



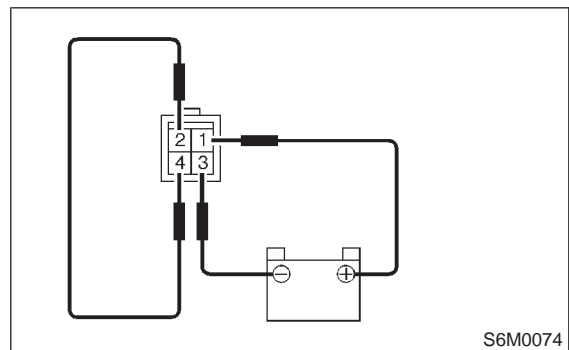
S6M0072

2) Check wiper motor for proper stoppage:
After operating wiper motor, disconnect battery from wiper motor.



S6M0073

3) Reconnect battery and ensure that wiper motor stops at "AUTO STOP" after it has been operated.

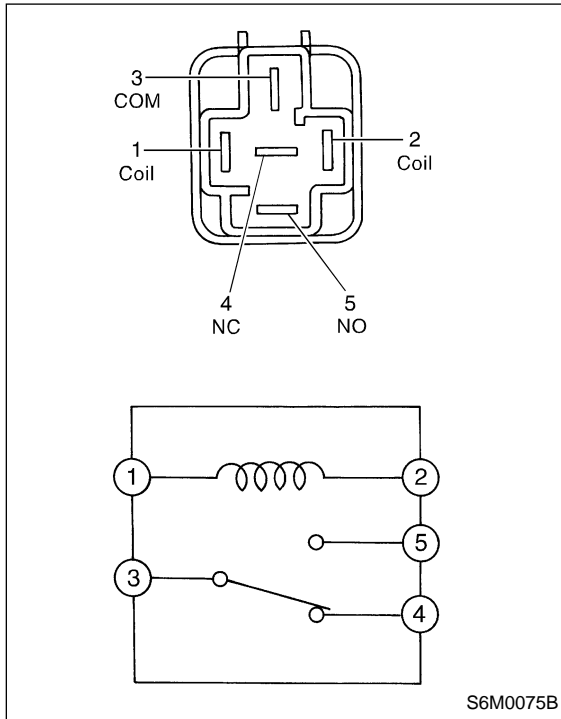


S6M0074

3. REAR WIPER RELAY

- 1) Connect battery to terminal No. 1 and ground terminal No. 2.
- 2) Check continuity between terminals.

When current flows	Between terminals No. 3 and No. 4	Continuity does not exist.
	Between terminals No. 3 and No. 5	Continuity exists.
When current does not flow	Between terminals No. 3 and No. 4	Continuity exists.
	Between terminals No. 3 and No. 5	Continuity does not exist.
	Between terminals No. 1 and No. 2	Continuity exists.



7. Rear Window Defogger

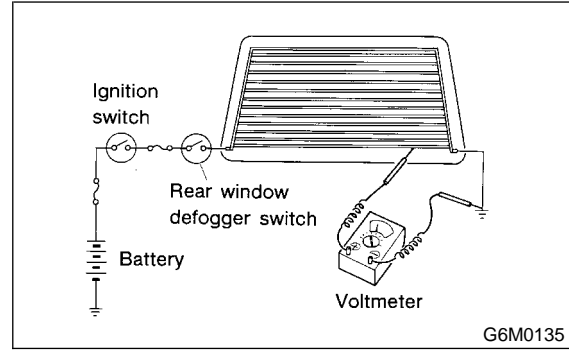
A: INSPECTION

1. HEAT WIRES

- 1) Start the engine so that battery is being charged.
- 2) Turn defogger switch to ON.
- 3) Check each heat wire at its center position for discontinuity by setting direct current voltmeter.

NOTE:

- Normal indication is about 6 volts.



- When measuring voltage, wind a piece of tin foil around the tip of the tester probe and press the foil against the wire with your finger.

