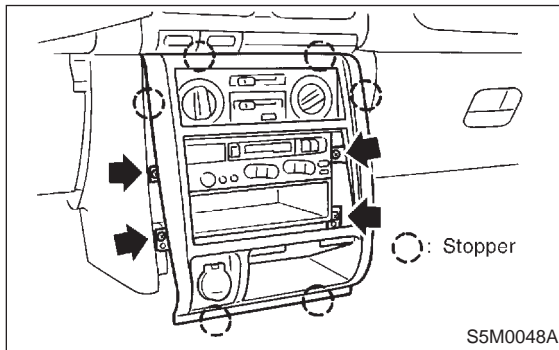


9. Radio

A: REMOVAL AND INSTALLATION

1. RADIO BODY

- 1) Disconnect ground cable from battery.
- 2) Remove console box. <Ref. to 5-4 [W1A0].>
- 3) Remove AT cover (AT model).
- 4) Remove center panel.
- 5) Remove fitting screws, and slightly pull radio out from center console.



- 6) Disconnect electric connectors and antenna feeder cord.
- 7) Install in the reverse order of removal.

2. FRONT SPEAKER

- 1) Remove front door trim speaker grille.
- 2) Remove screws which secure front speaker.
- 3) Remove speaker and disconnect connector.
- 4) Install in the reverse order of removal.

3. REAR SPEAKER

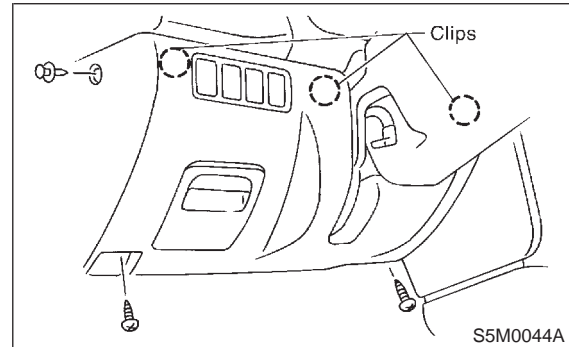
- 1) Remove rear door trim speaker grille.
- 2) Remove screws which secure rear speaker.
- 3) Remove speaker and disconnect connector.
- 4) Install in the reverse order of removal.

10. Keyless Entry System

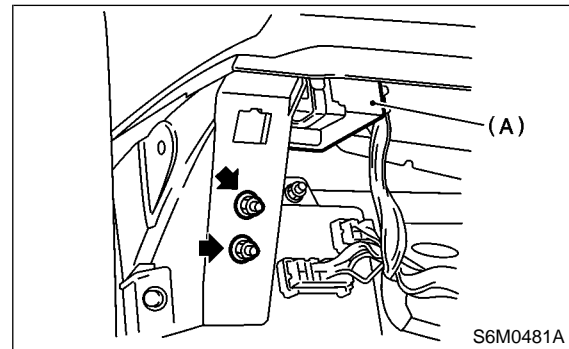
A: REMOVAL AND INSTALLATION

1. KEYLESS ENTRY CONTROL MODULE

- 1) Disconnect battery ground cable.
- 2) Remove instrument panel lower cover and knee panel. <Ref. to 5-4 [W1A0].>



- 3) Remove the two nuts, then remove keyless entry control module (A) while disconnecting connector.



- 4) Install in the reverse order of removal.