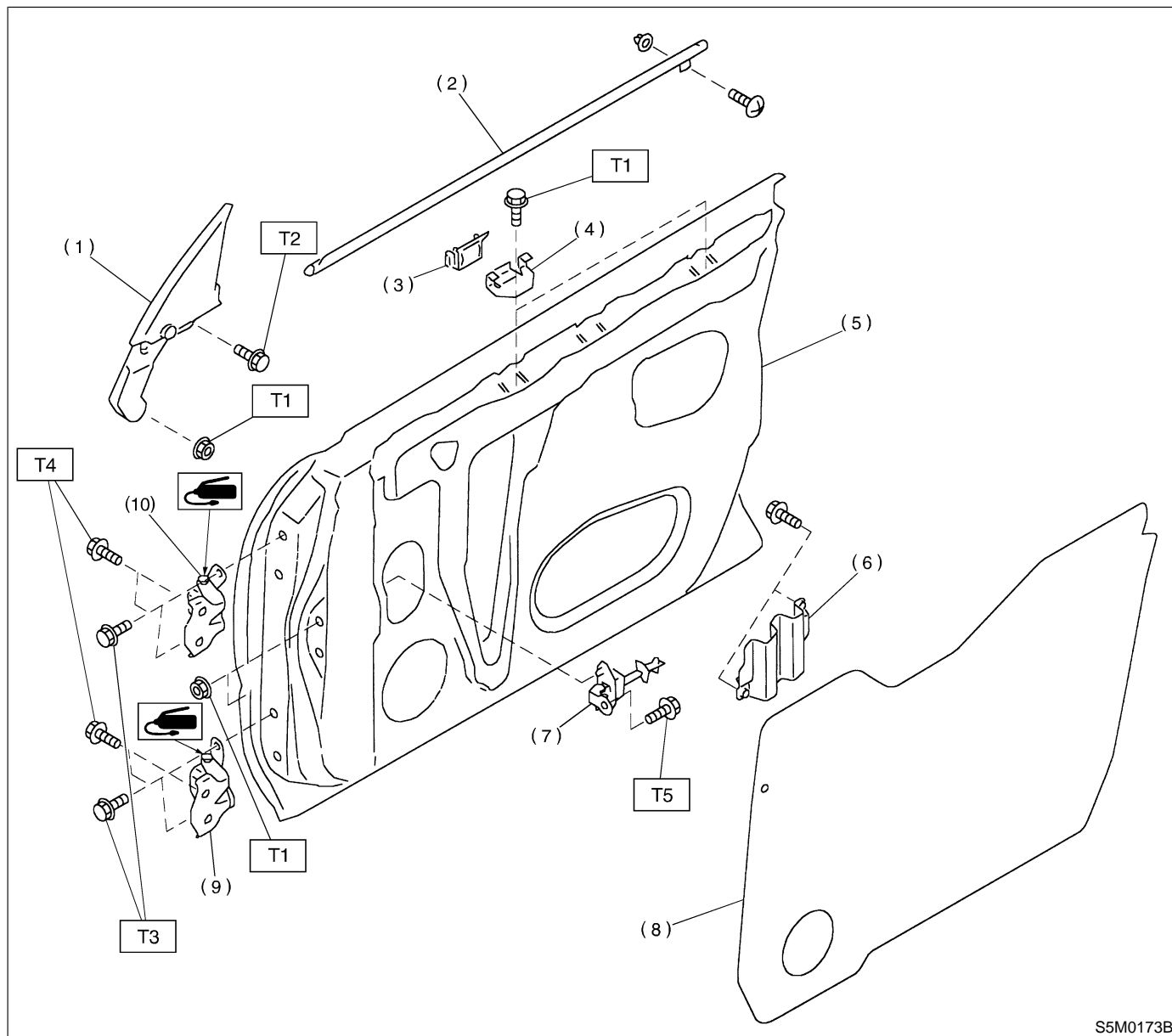


1. Front Door



S5M0173B

- | | |
|------------------------|-------------------|
| (1) Gusset | (7) Checker |
| (2) Weatherstrip | (8) Sealing cover |
| (3) Stabilizer (Outer) | (9) Lower hinge |
| (4) Stabilizer (Inner) | (10) Upper hinge |
| (5) Door panel | |
| (6) Plate | |

Tightening torque: N-m (kg-m, ft-lb)

T1: 7.4±2.0 (0.75±0.2, 5.4±1.4)

T2: 13±3 (1.3±0.3, 9.4±2.2)

T3: 25±3 (2.5±0.3, 18.1±2.2)

T4: 29±5 (3.0±0.5, 21.7±3.6)

T5: 32±10 (3.3±1.0, 23.9±7.2)