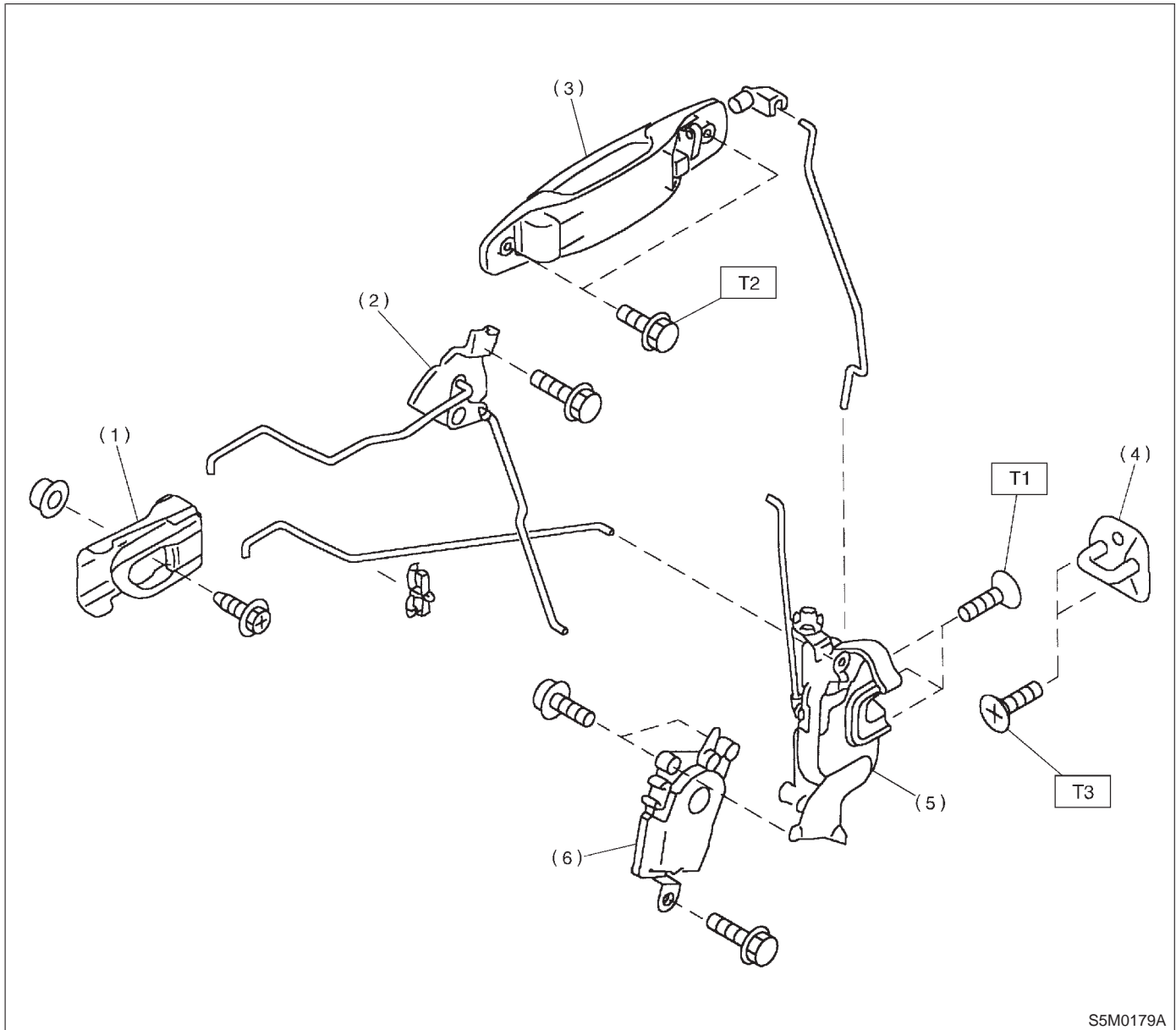


7. Door Lock Assembly

A: FRONT DOOR



S5M0179A

- |                       |                             |
|-----------------------|-----------------------------|
| (1) Inner remote ASSY | (5) Door latch              |
| (2) Bell crank        | (6) Auto-door lock actuator |
| (3) Door outer handle |                             |
| (4) Striker           |                             |

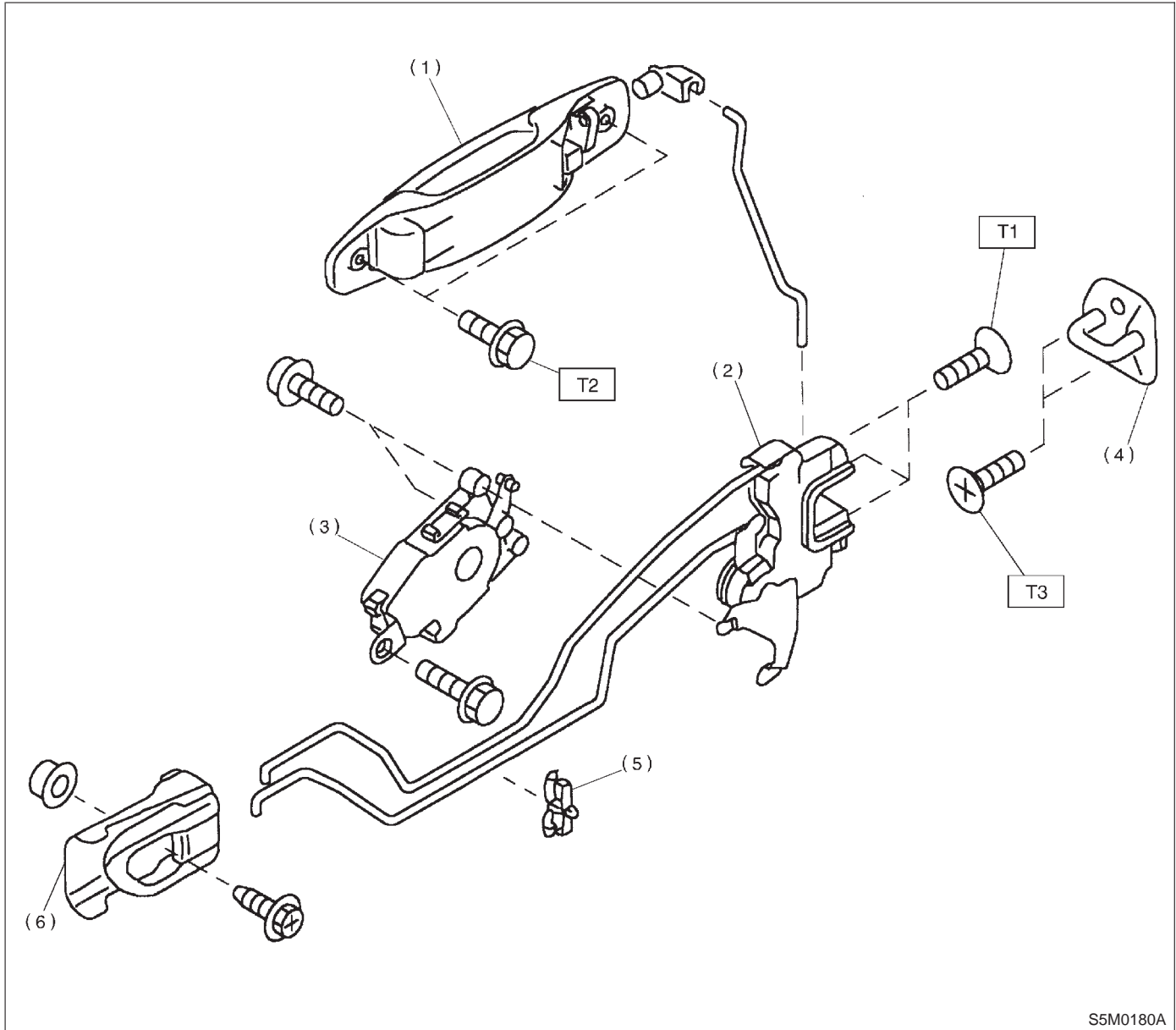
**Tightening torque: N·m (kg·m, ft·lb)**

**T1: 6.4±2.0 (0.65±0.2, 4.7±1.4)**

**T2: 7.4±2.0 (0.75±0.2, 5.4±1.4)**

**T3: 18±4 (1.8±0.4, 13.0±2.9)**

B: REAR DOOR



- (1) Door outer handle
- (2) Door latch
- (3) Auto-door lock actuator
- (4) Striker
- (5) Rod holder
- (6) Inner remote ASSY

**Tightening torque: N·m (kg·m, ft·lb)**

**T1: 6.4±2.0 (0.65±0.2, 4.7±1.4)**

**T2: 7.4±2.0 (0.75±0.2, 5.4±1.4)**

**T3: 18±4 (1.8±0.4, 13.0±2.9)**