

## 3. Rear Gate

### A: REMOVAL AND INSTALLATION

#### CAUTION:

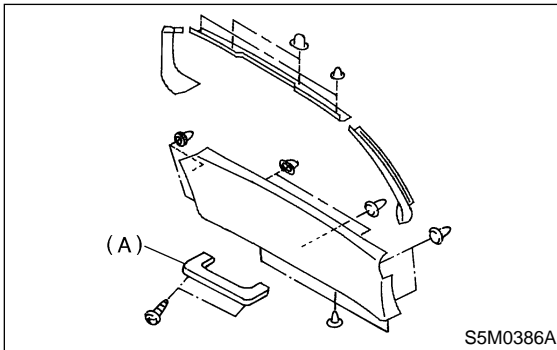
- Be careful not to scratch coated surfaces of vehicle body and window glass during removal. Place a cloth over the affected area.
- Be careful not to damage trim panels.
- Use an assistant when handling heavy parts.
- Be careful not to damage or lose small parts.

#### 1. REAR GATE ASSEMBLY

- 1) Remove rear gate inner handle (A) from rear gate and then detach trim panel.

#### CAUTION:

Be careful not to damage clips or their holes.



- 2) Disconnect connectors and terminal.
- 3) Disconnect rear washer hose from wiper motor.
- 4) If disconnected harness is re-used, tie connector with a string and place on the upper side of rear gate for ready use.

#### CAUTION:

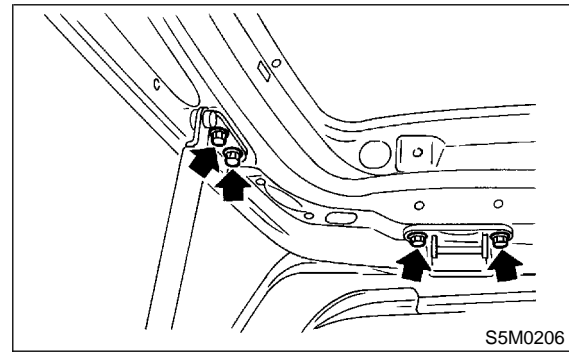
Do not forcefully pull cords, lead wires, etc. since damage may result; carefully extract them in a wavy motion while holding connectors.

- 5) Remove both rubber ducts and then extract washer hose and harness connector.
- 6) Gas stay:
  - (1) Completely open rear gate.
  - (2) Remove bolts which hold gas stay to rear gate.

#### CAUTION:

- Be careful because rear gate drops while removing bolts. Have an assistant support it while removing bolts.
- Be sure to place a folded cloth between rear gate and body to prevent scratches.

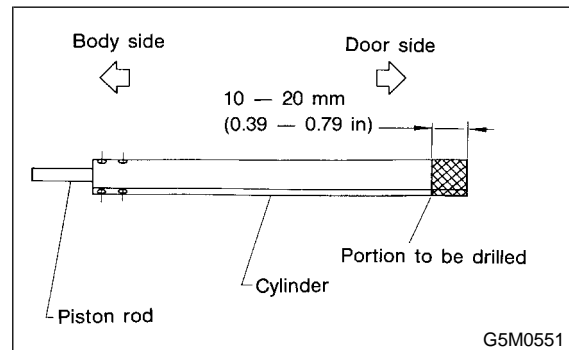
- 7) Remove the bolts which hold rear gate to hinge and then detach rear gate.



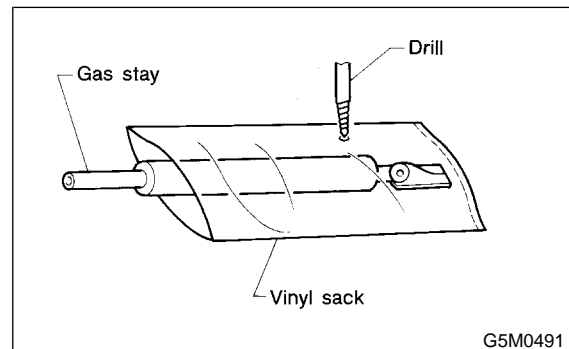
- 8) General precautions in handling rear gate gas stay are as follows.

#### CAUTION:

- Do not attempt to disassemble gas stay because its cylinder is filled with gas.
- Before discarding gas stay, place it at a slight angle with the cylinder body side facing up and drill a 2 to 3 mm (0.08 to 0.12 in) dia. hole to completely discharge the content. (Gas is odorless, colorless and harmless; however, metal powder may come out of the hole.)



- It is good practice to place a vinyl sack over it before drilling the hole because oil may spurt out. Be careful to prevent the vinyl cover from becoming entangled on the drill.



- Be careful not to scratch the exposed section of piston rod or allow oil or paint to come in contact with it.

- Do not attempt to rotate the extended piston rod.

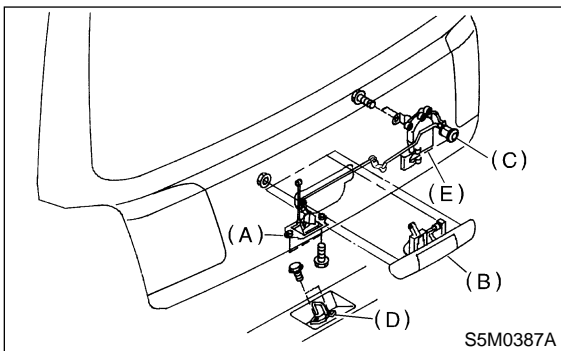
9) Install in the reverse order of removal.

**CAUTION:**

- Be careful not to mistake RH and LH body side buffers.
- Be sure to add sealer to hinge.
- When installing rear gate, be careful not to damage coating on body and rear gate.

**2. LATCH**

- 1) Remove trim panel. <Ref. to 5-2 [W3A1].>
- 2) Disengage rod (latch to link) from latch (A).
- 3) Disengage rod (latch to outer handle) from outer handle (B).
- 4) Remove bolts from latch (A).



- 5) Disconnect rear gate switch connector from latch (A).
- 6) Detach latch.
- 7) Install in the reverse order of removal.

**CAUTION:**

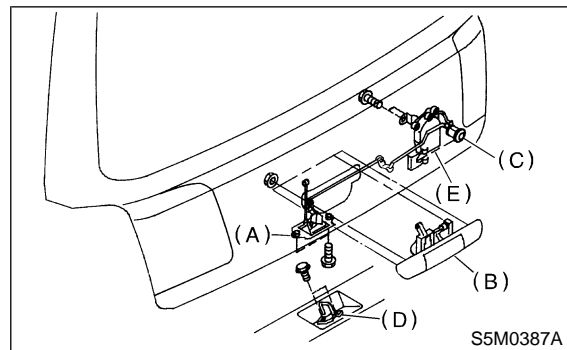
**Firmly join latch with rod (to key cylinder) and outer handle.**

**3. OUTER HANDLE**

- 1) Remove trim panel. <Ref. to 5-2 [W3A1].>
- 2) Disconnect rod (latch to outer handle) from outer handle (B).
- 3) Remove the four nuts used to hold outer handle (B) to the inside of rear gate, and detach outer handle.

**CAUTION:**

**Be careful not to damage packing when removing outer handle.**



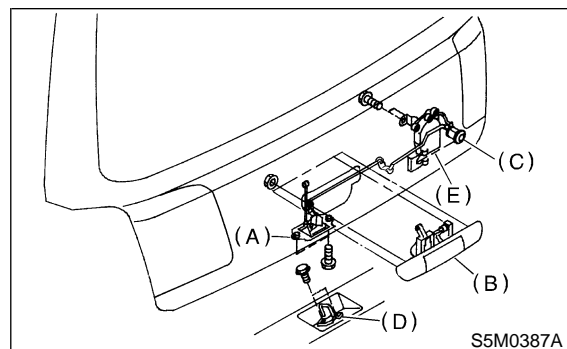
- 4) Install in the reverse order of removal.

**CAUTION:**

**Completely insert latch pin into handle lever.**

**4. KEY CYLINDER**

- 1) Remove trim panel. <Ref. to 5-2 [W3A1].>
- 2) Remove actuator (E).
- 3) Disengage rod from key cylinder (C).
- 4) Remove retaining spring from key cylinder (C), and detach key cylinder from outside.

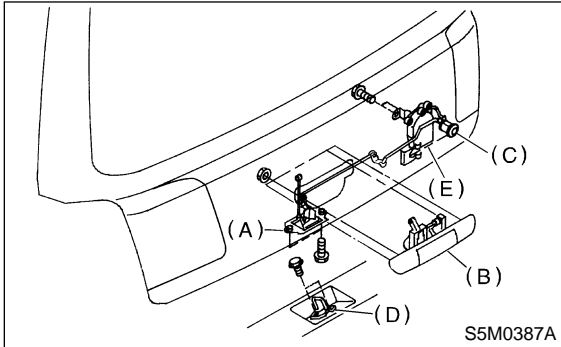


- 5) Install in the reverse order of removal.

## 3. Rear Gate

**5. STRIKER**

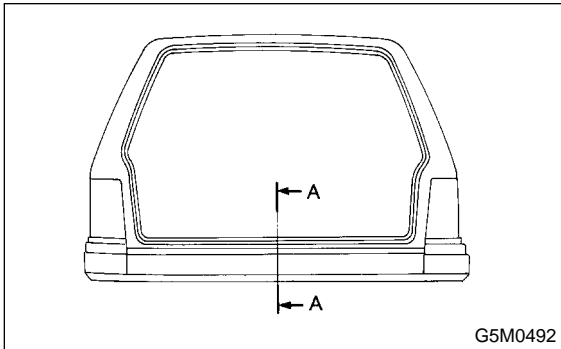
- 1) Remove rear skirt trim.
- 2) Remove the two bolts from striker (D) and detach striker.



- 3) Install in the reverse order of removal.

**6. WEATHERSTRIP**

- 1) Place weatherstrip so that its joints meet at lower center of vehicle body, and install by inserting flanged portion from below, as shown in section A—A in the figure.



- 2) Tap along entire length with a rubber hammer to firmly insert body flange into weatherstrip.

**CAUTION:**

- Be careful not to install in wrong direction.
- Install weatherstrip carefully and firmly.

