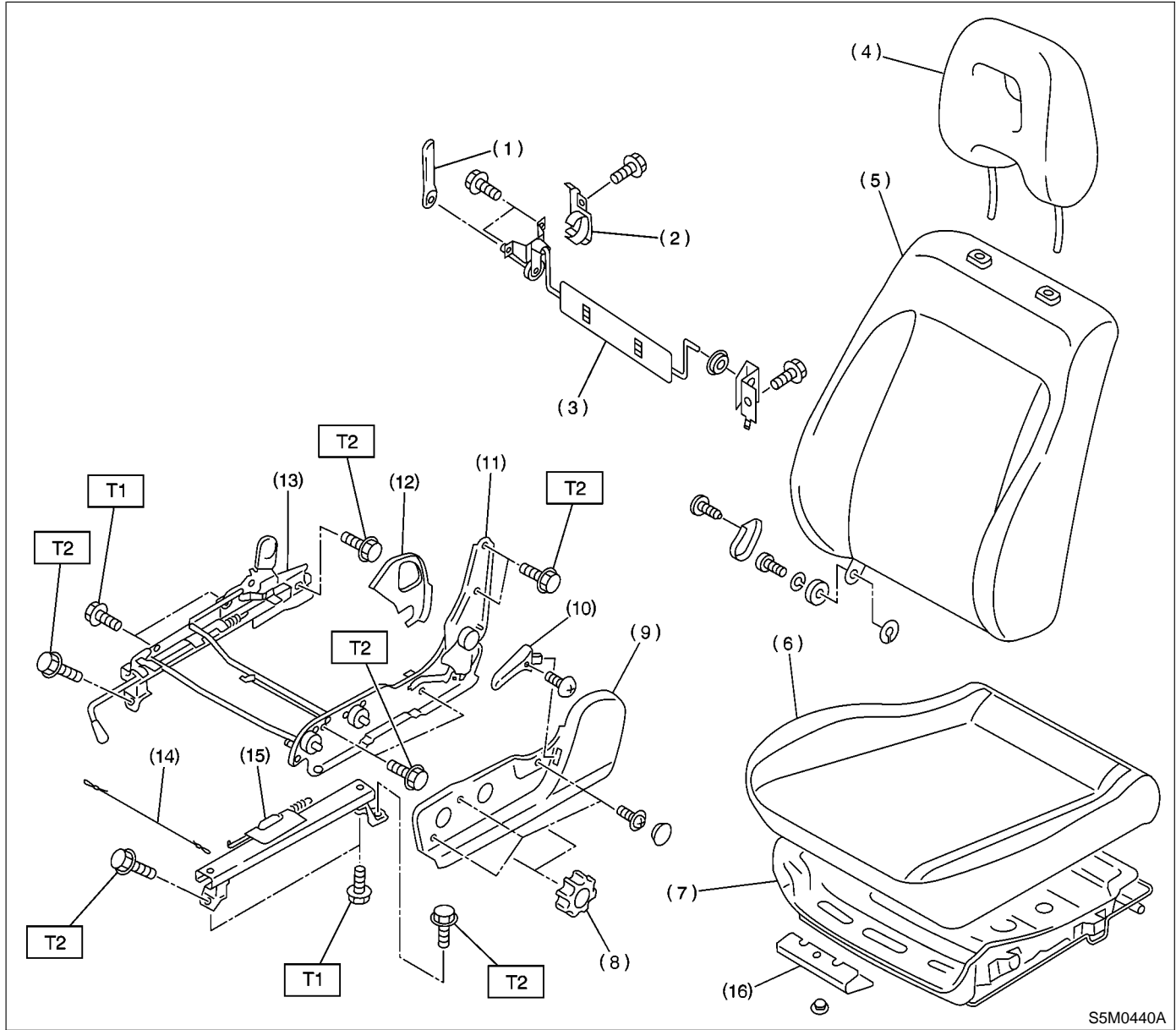


1. Front Seat



- | | | |
|-------------------|-------------------------|--------------------------|
| (1) Lumbar lever | (8) Lifter dial | (15) Slide rail ASSY OUT |
| (2) Lumbar cover | (9) Hinge cover OUT | (16) Bracket |
| (3) Lumbar unit | (10) Reclining lever | |
| (4) Headrest | (11) Hinge ASSY | |
| (5) Backrest | (12) Hinge spring cover | |
| (6) Cushion | (13) Slide rail ASSY IN | |
| (7) Cushion frame | (14) Connecting wire | |

Tightening torque: N·m (kg·m, ft·lb)

T1: 18⁺¹⁰/₀ (1.8⁺¹/₀, 13⁺⁷/₀)

T2: 52±10 (5.3±1.0, 38±7)