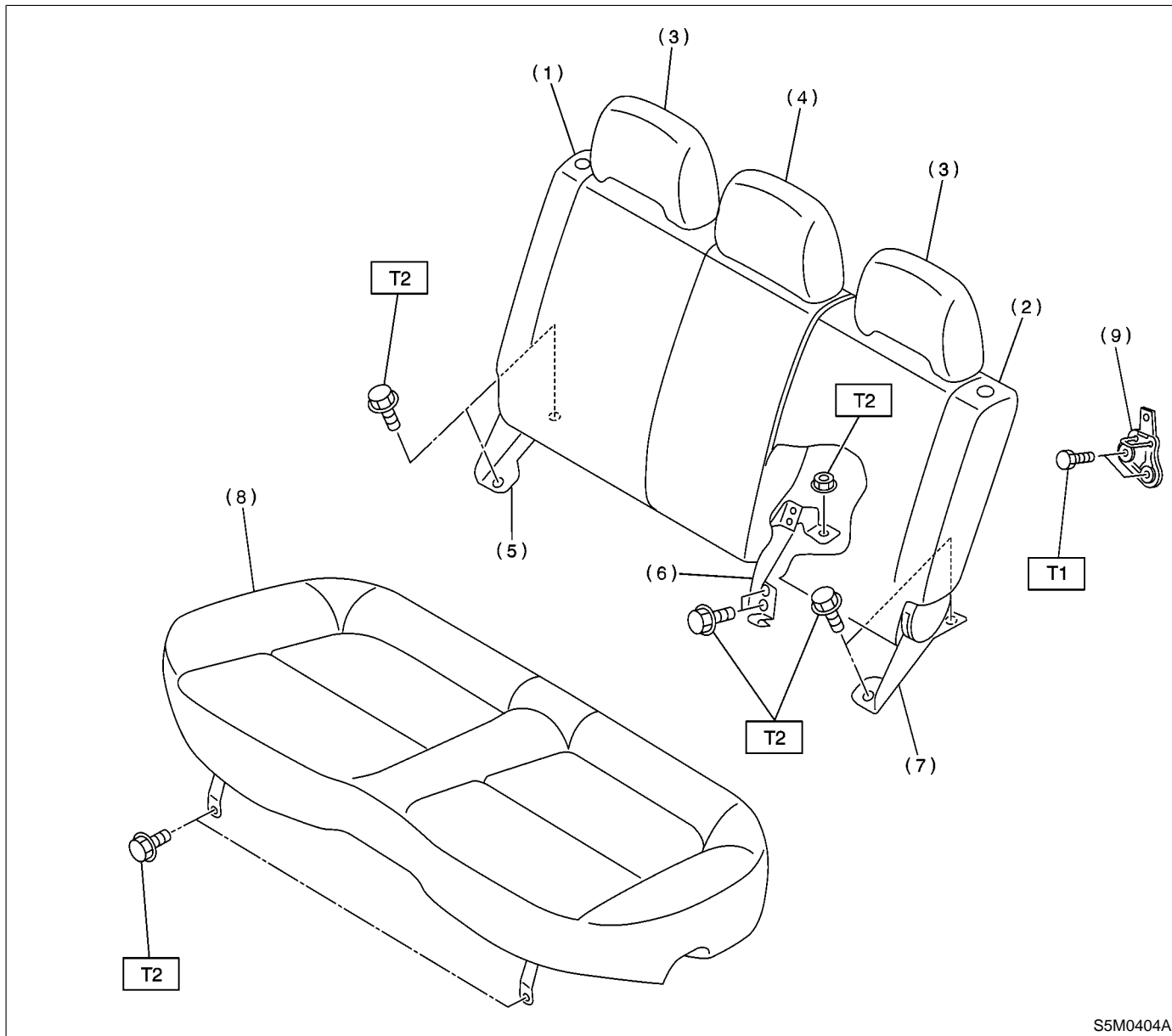


2. Rear Seat



- | | |
|----------------------|------------------|
| (1) Backrest RH | (6) Hinge CENTER |
| (2) Backrest LH | (7) Hinge LH |
| (3) Headrest OUTSIDE | (8) Cushion |
| (4) Headrest CENTER | (9) Striker |
| (5) Hinge RH | |

Tightening torque: N-m (kg-m, ft-lb)
T1: 10±3 (1.0±0.3, 7.2±2.2)
T2: 25±7 (2.5±0.7, 18.1±5.1)