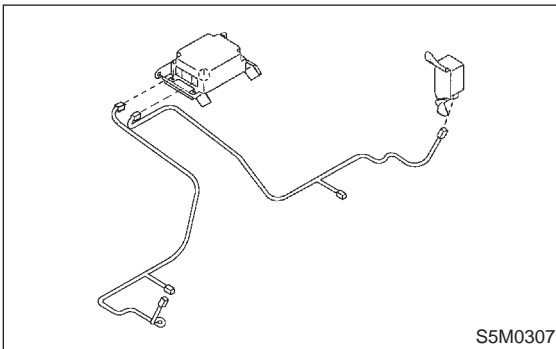


## 5. Side Airbag Harness

### A: REMOVAL AND INSTALLATION

- 1) Turn ignition switch off.
- 2) Disconnect ground cable from battery and wait for at least 20 seconds before starting work.
- 3) Remove front seat <Ref. to 5-3 [W100].> and roll up floor mat <Ref. to 5-3 [W5A3].>
- 4) Remove console box. <Ref. to 5-4 [W1A0].>
- 5) Disconnect the two 12-pin yellow connectors from airbag control module.
- 6) Remove side airbag sensor <Ref. to 5-5 [W7A0].> and then disconnect connector from side airbag sensor. <Ref. to 5-5 [M2F3].>
- 7) Detach clips and then remove side airbag harness.



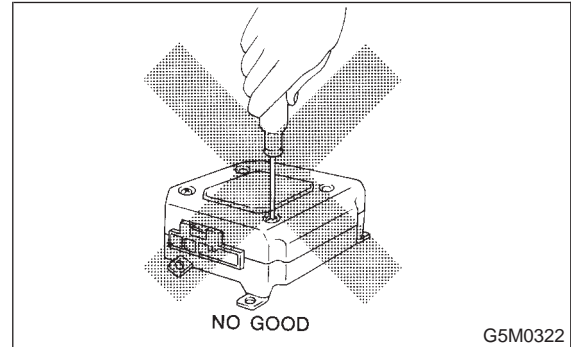
- 8) Install in the reverse order of removal.

## 6. Airbag Control Module

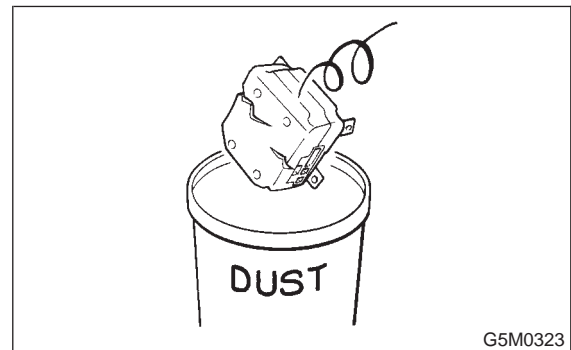
### A: REMOVAL AND INSTALLATION

#### CAUTION:

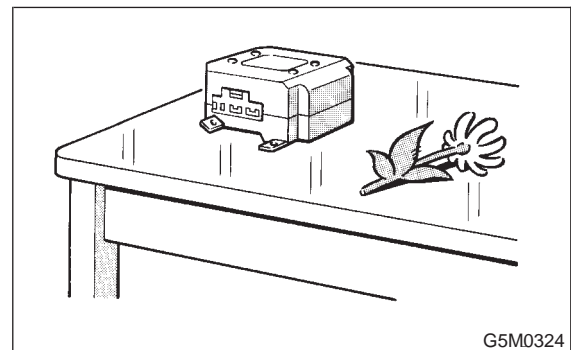
- Do not disassemble the airbag control module.



- If the airbag control module is deformed, or if water damage is suspected, replace the airbag control module with a new genuine part.



- After removal, keep the airbag control module on a dry, clean surface away from heat and light sources, and moisture and dust.



- 1) Turn ignition switch off.
- 2) Disconnect ground cable from battery and wait for at least 20 seconds before starting work.
- 3) Remove lower cover. <Ref. to 5-4 [W1A0].>
- 4) Remove instrument panel console. <Ref. to 5-4 [W1A0].>
- 5) Disconnect connector from airbag control module.