

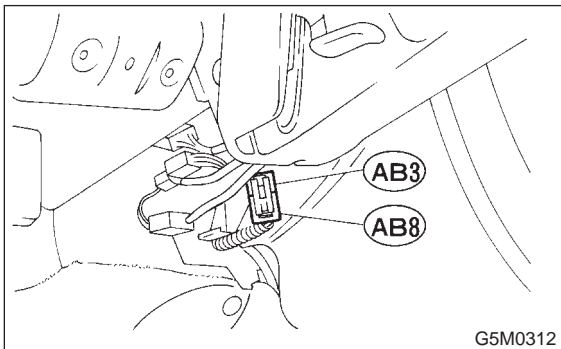
## 8. Roll Connector

### A: REMOVAL

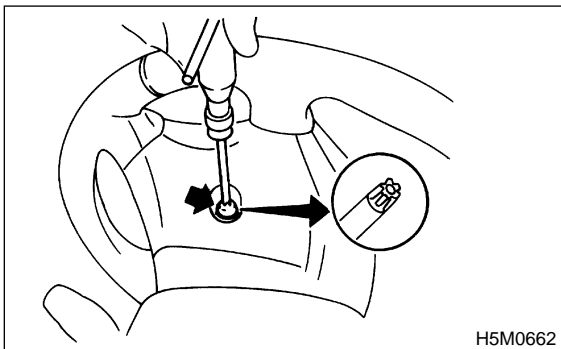
- 1) Turn ignition switch off.
- 2) Disconnect ground cable from battery and wait for at least 20 seconds before starting work.
- 3) Remove lower cover. <Ref. to 5-4 [W1A0].>
- 4) Disconnect airbag connector (AB3) and (AB8) below steering column. <Ref. to 5-5 [M2F2].>

**CAUTION:**

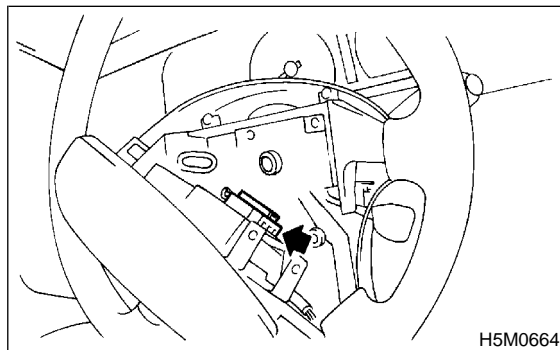
**Do not reconnect airbag connector at steering column until combination switch is securely re-installed.**



- 5) Disconnect combination switch connectors from body harness connector.
- 6) Set front wheels in straight ahead position. Using T30 TORX® bit, remove the two TORX® bolts.



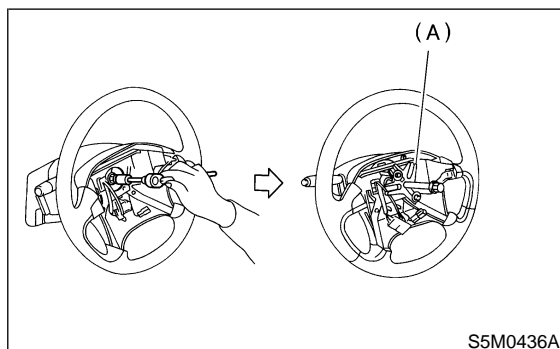
- 7) Disconnect airbag connector on back of airbag module. <Ref. to 5-5 [M2F2].> Remove airbag module, and place it with pad side facing upward. <Ref. to 5-5 [W3A0].>



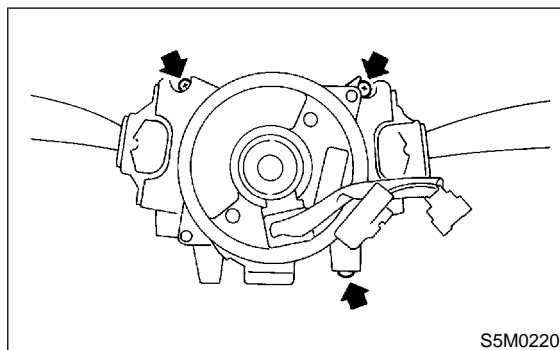
- 8) Using steering puller (A), remove steering wheel.

**CAUTION:**

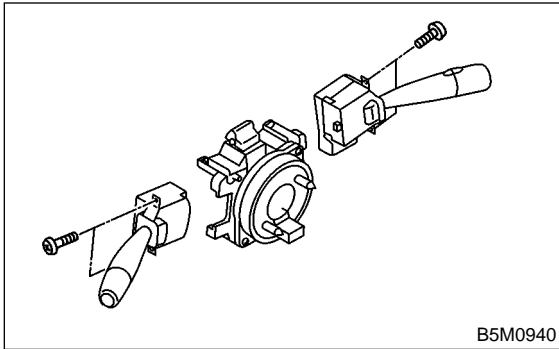
**Do not allow connector to interfere when removing steering wheel.**



- 9) Remove steering column covers.
- 10) Removing the three retaining screws, remove combination switch.



- 11) Disconnect connectors and then detach combination switch assembly.
- 12) Remove lighting switch and wiper switch from roll connector.

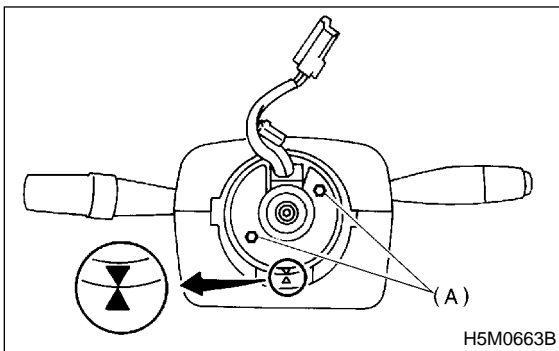


**B: ADJUSTMENT**

**1. CENTERING ROLL CONNECTOR**

Before installing steering wheel, make sure to center roll connector built into combination switch.

- 1) Make sure that front wheels are positioned straight ahead.
- 2) Install steering gearbox, steering shaft and combination switch properly. Turn roll connector pin (A) clockwise until it stops.
- 3) Then, back off roll connector pin (A) approximately 2.5 turns until "▲" marks aligned.

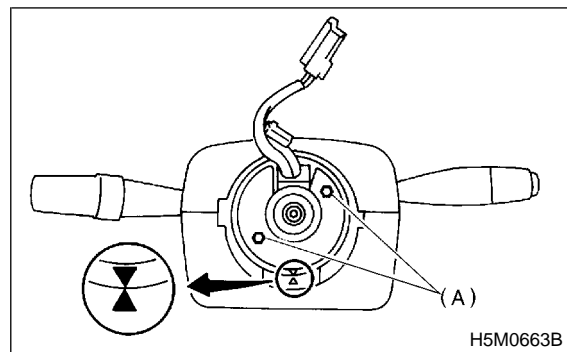


**C: INSTALLATION**

**CAUTION:**  
Failure to do this might damage roll connector.

- 1) Install lighting switch and wiper switch to roll connector.
- 2) Before installing combination switch, check to ensure that combination switch is off and front wheels are set in the straight ahead position.
- 3) Install combination switch assembly and then connect connectors.
- 4) Install column cover and centering roll connector. <Ref. to 5-5 [W8B1].>
- 5) Install steering wheel in neutral position. Carefully insert roll connector pin (A) into hole on steering wheel.

**NOTE:**  
If steering wheel angle requires fine adjustment, adjust tie-rod.



- 6) Install airbag module and lower cover in the reverse order of removal.