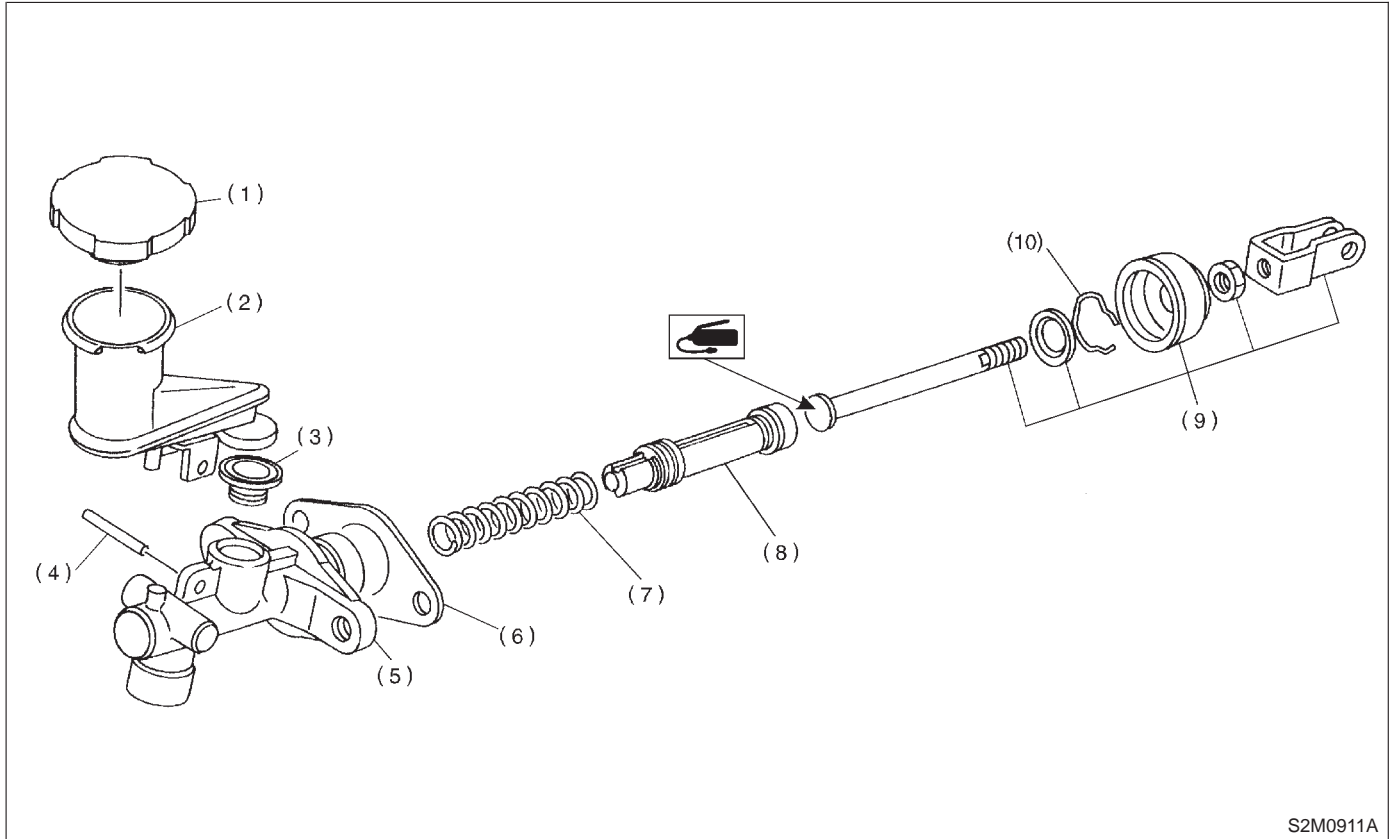


2. Master Cylinder and Reservoir Tank



- (1) Reservoir cap
- (2) Reservoir tank
- (3) Oil seal
- (4) Straight pin

- (5) Master cylinder
- (6) Seat
- (7) Return spring
- (8) Piston

- (9) Push rod
- (10) Piston stop ring