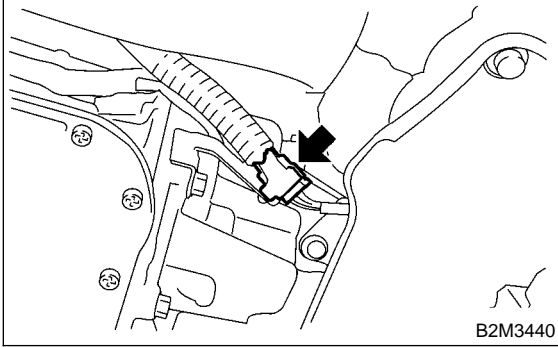
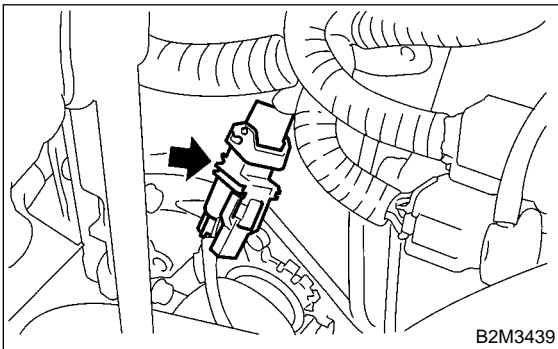


## 2. Rear Catalytic Converter

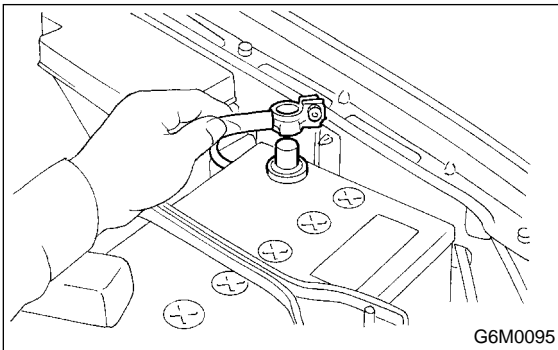
- 6) Connect rear oxygen sensor connector.



- 7) Install under cover.  
 8) Lower the vehicle.  
 9) Connect connector to front oxygen (A/F) sensor.



- 10) Connect battery ground cable.



## 2. Rear Catalytic Converter

### A: REMOVAL

The front and rear catalytic converter and center exhaust pipe are integrated into one unit. Therefore, the removal and installation procedures are the same as the those for the front catalytic converter. <Ref. to 2-1 [W1A0].>

### B: INSTALLATION

The front and rear catalytic converter and center exhaust pipe are integrated into one unit. Therefore, the removal and installation procedures are the same as the ones described under front catalytic converter. <Ref. to 2-1 [W1B0].>