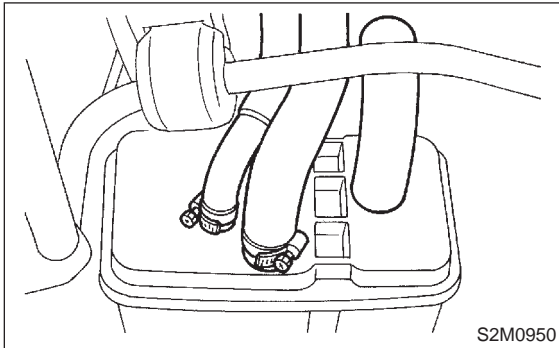


3. Canister

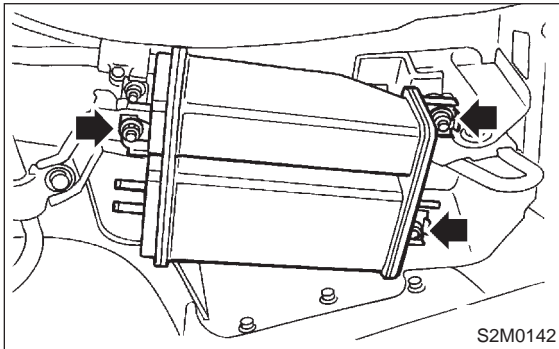
A: REMOVAL AND INSTALLATION

- 1) Lift-up the vehicle.
- 2) Disconnect evaporation hoses from canister.



S2M0950

- 3) Remove canister from body.

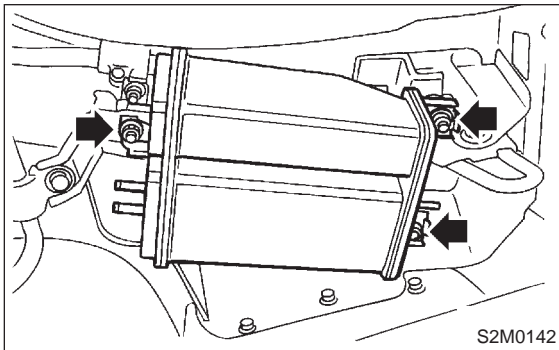


S2M0142

- 4) Install in the reverse order of removal.

Tightening torque:

22.5 ± 7 N-m (2.3 ± 0.7 kg-m, 16.6 ± 5.1 ft-lb)

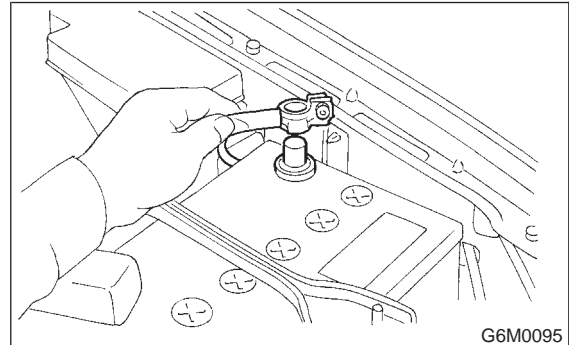


S2M0142

4. Purge Control Solenoid Valve

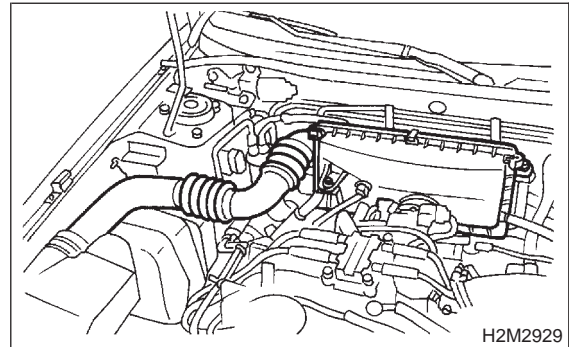
A: REMOVAL AND INSTALLATION

- 1) Disconnect battery ground cable.



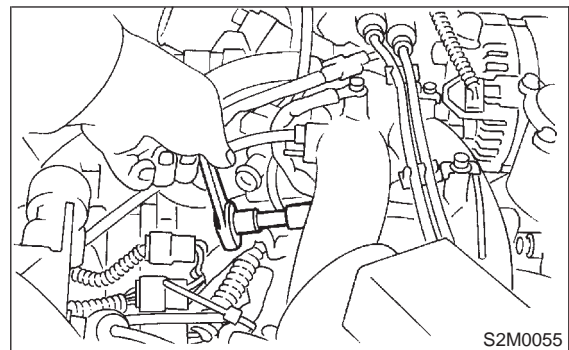
G6M0095

- 2) Remove air cleaner case and air intake duct.
<Ref. to 2-7 [W1A0].>



H2M2929

- 3) Remove bolt which installs purge control solenoid valve to intake manifold.



S2M0055