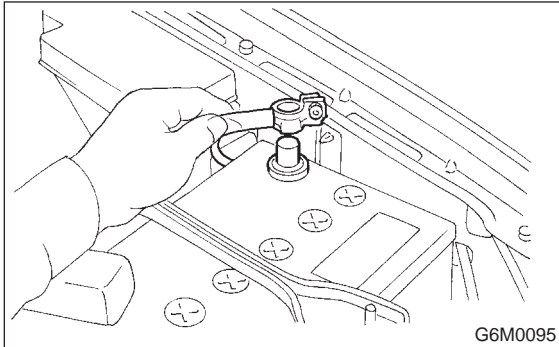


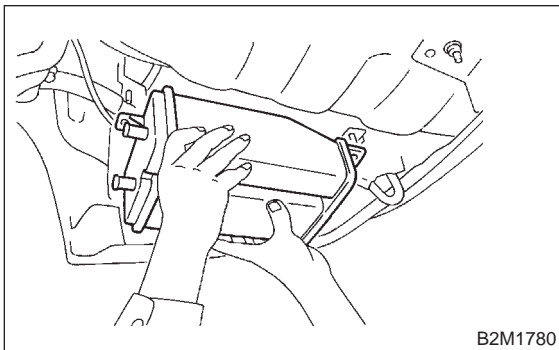
9. Drain Filter

A: REMOVAL AND INSTALLATION

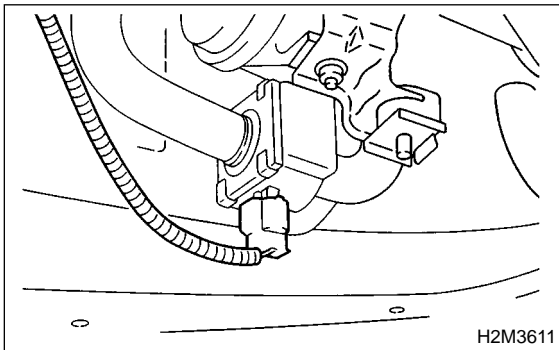
- 1) Disconnect battery ground cable.



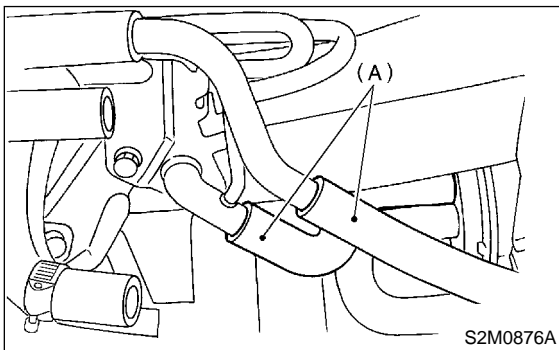
- 2) Lift-up the vehicle.
3) Remove canister. <Ref. to 2-1 [W3A0].>



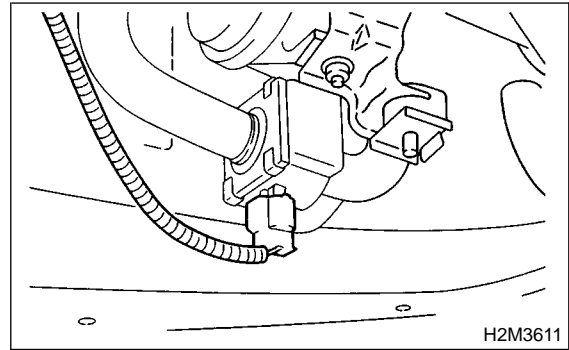
- 4) Disconnect connector from drain valve.



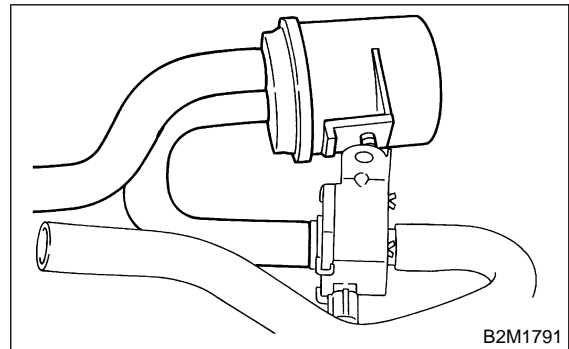
- 5) Disconnect evaporation hoses (A) from joint pipes.



- 6) Remove nut which installs drain filter and drain valve brackets on body, and remove them as a unit.



- 7) Disconnect evaporation hoses, and remove drain filter.



- 8) Install in the reverse order of removal.

Tightening torque:

22.5±7 N·m (2.3±0.7 kg·m, 16.6±5.1 ft·lb)

