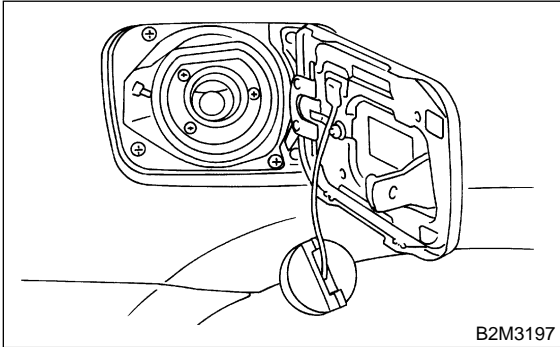
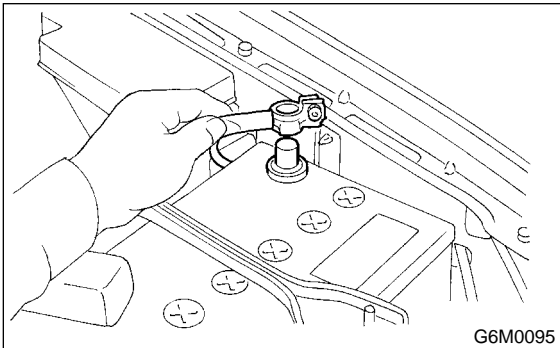


**10. Fuel Sub Level Sensor****A: REMOVAL AND INSTALLATION**

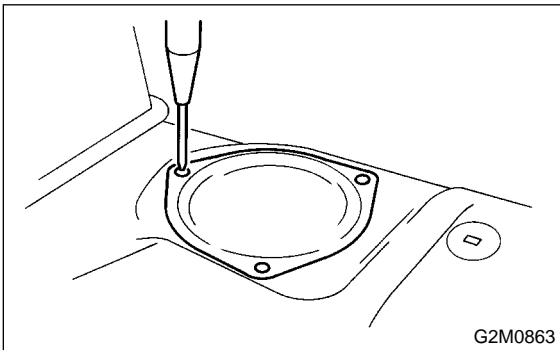
- 1) Release fuel pressure. <Ref. to 2-8 [W1B0].>
- 2) Open fuel flap lid, and remove fuel filler cap.



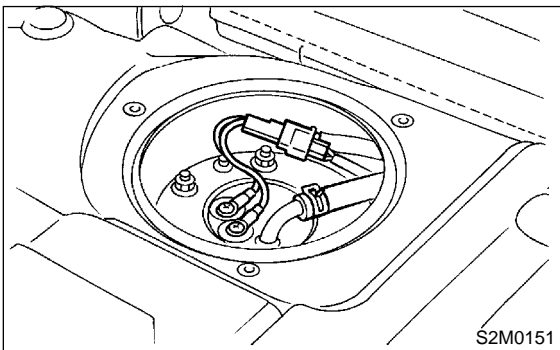
- 3) Disconnect battery ground cable.



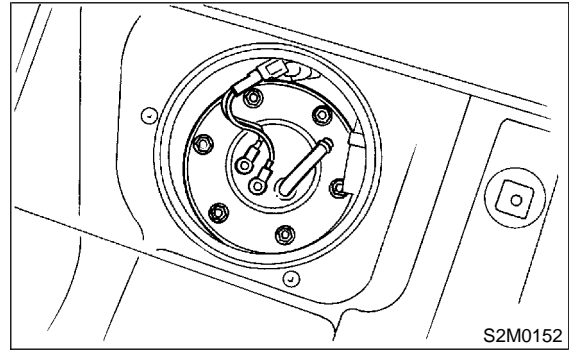
- 4) Remove service hole cover.



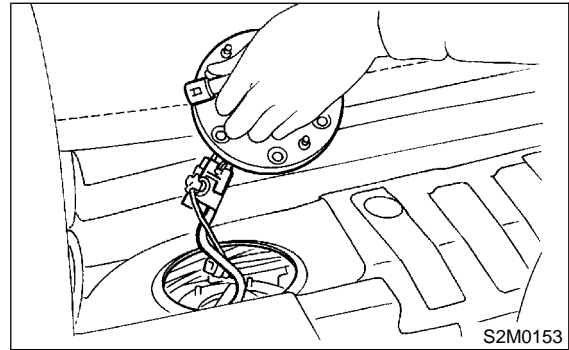
- 5) Disconnect connector from fuel sub level sensor, and disconnect jet pump hose.



- 6) Remove bolts which install fuel sub level sensor on fuel tank.



- 7) Remove fuel sub level sensor.



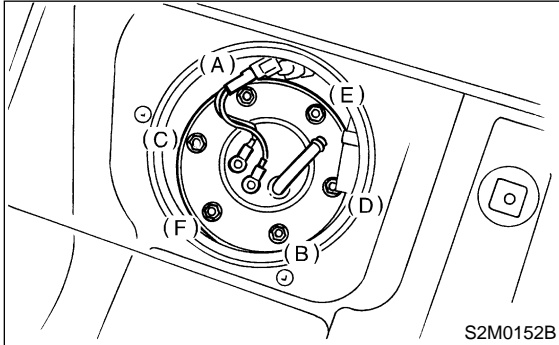
8) Installation is in the reverse order of removal.

Do the following:

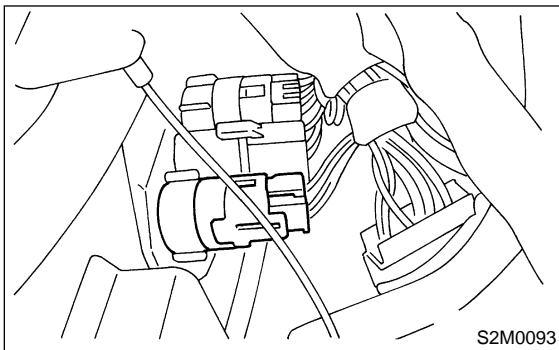
- (1) Install fuel sub level sensor.

**Tightening torque:**

**T:  $4.4 \pm 1.5$  N·m ( $0.45 \pm 0.15$  kg·m,  $3.3 \pm 1.1$  ft·lb)**



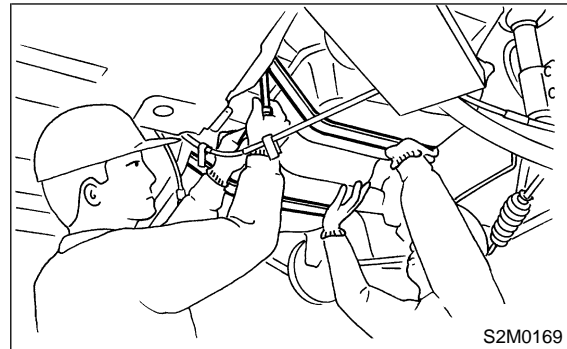
- (2) Connect connector to fuel pump relay.



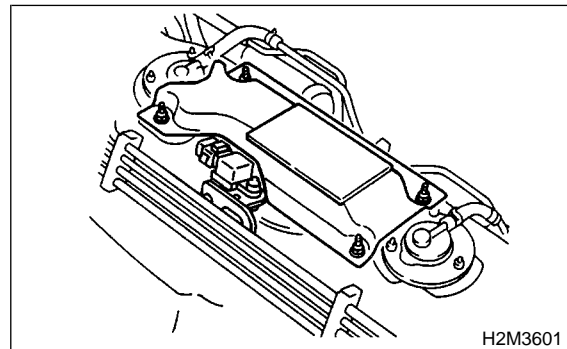
## 11. Vent Valve

### A: REMOVAL AND INSTALLATION

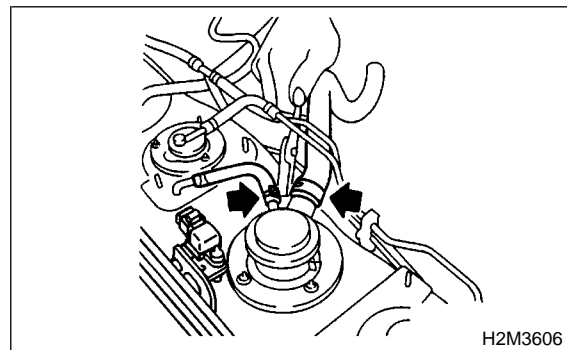
- 1) Remove fuel tank. <Ref. to 2-8 [W2A0].>



- 2) Remove protector cover.



- 3) Move clips, and disconnect hoses from vent valve.



- 4) Remove nuts which install vent valve on fuel tank.

