

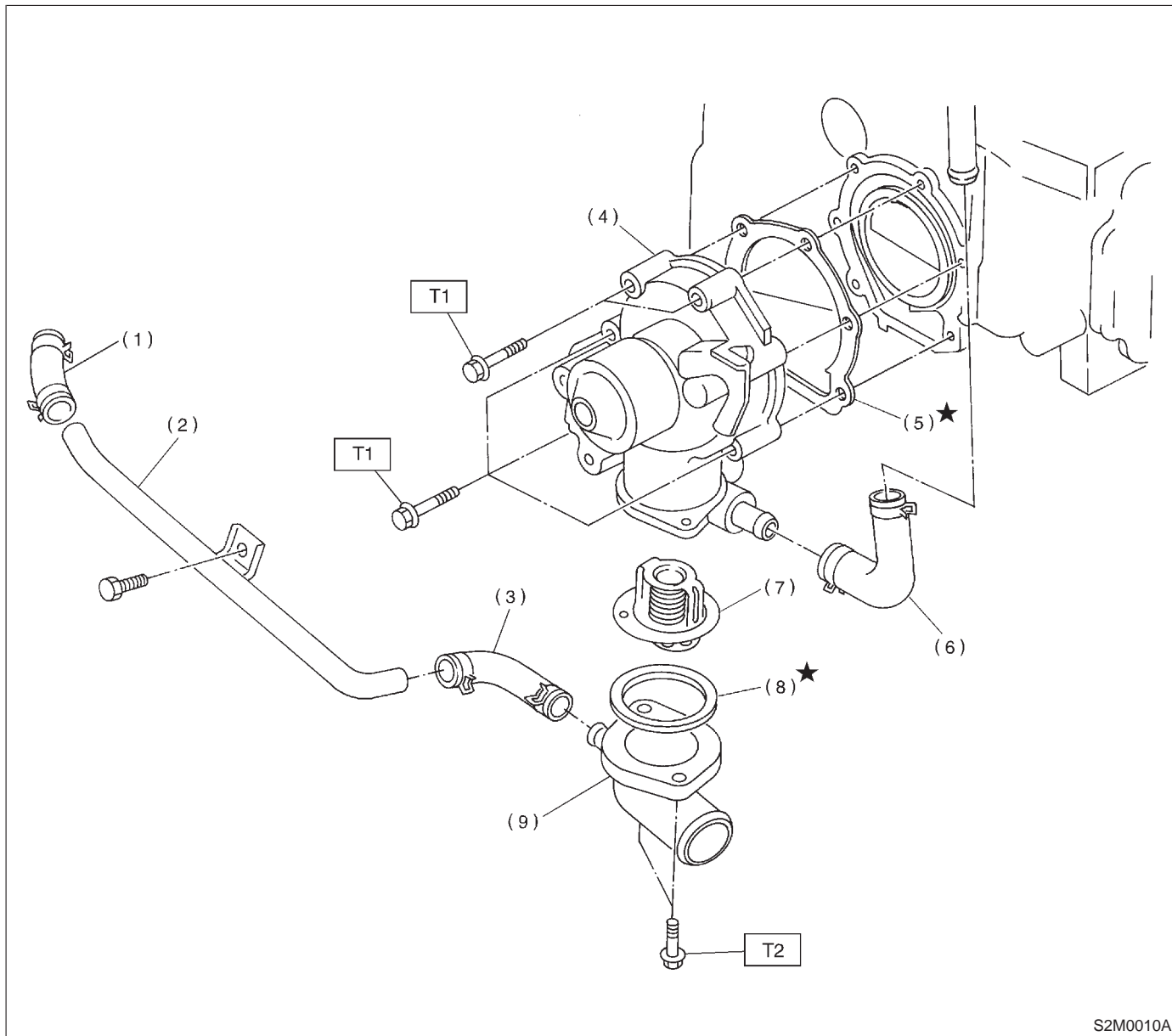
1. Specifications

Cooling system		Electric fan + Forced engine coolant circulation system	
Total engine coolant capacity		ℓ (US qt, Imp qt)	
		MT: Approx. 6.0 (6.3, 5.3) AT: Approx. 6.2 (6.6, 5.5)	
Water pump	Type	Centrifugal impeller type	
	Discharge performance I	Discharge	20 ℓ (5.3 US gal, 4.4 Imp gal)/min.
		Pump speed—total engine coolant head	760 rpm — 0.3 mAq (1.0 ftAq)
		Engine coolant temperature	85°C (185°F)
	Discharge performance II	Discharge	100 ℓ (26.4 US gal, 22.0 Imp gal)/min.
		Pump speed—total engine coolant head	3,000 rpm — 5.0 mAq (16.4 ftAq)
		Engine coolant temperature	85°C (185°F)
	Discharge performance III	Discharge	200 ℓ (52.8 US gal, 44.0 Imp gal)/min.
		Pump speed—total engine coolant head	6,000 rpm — 23.0 mAq (75.5 ftAq)
		Engine coolant temperature	85°C (185°F)
Impeller diameter	76 mm (2.99 in)		
Number of impeller vanes	8		
Pump pulley diameter	60 mm (2.36 in)		
Thermostat	Type	Wax pellet type	
	Starts to open	76 — 80°C (169 — 176°F)	
	Fully opened	91°C (196°F)	
	Valve lift	9.0 mm (0.354 in) or more	
	Valve bore	35 mm (1.38 in)	
Radiator fan	Motor	70 W (main fan) 70 W (sub fan)	
	Fan diameter × Blade	320 mm (12.60 in) × 5 (main fan) 320 mm (12.60 in) × 7 (sub fan)	
Radiator	Type	Down flow, pressure type	
	Core dimensions	691.5 × 340 × 16 mm (27.22 × 13.39 × 0.63 in)	
	Pressure range in which cap valve is open	Above: 108±15 kPa (1.1±0.15 kg/cm ² , 16±2 psi) Below: -1.0 to -4.9 kPa (-0.01 to -0.05 kg/cm ² , -0.1 to -0.7 psi)	
	Fins	Corrugated fin type	
Reservoir tank	Capacity	0.45 ℓ (0.5 US qt, 0.4 Imp qt)	

2. Service Data

Water pump	Clearance between impeller and case	Standard	0.5 — 0.7 mm (0.020 — 0.028 in)
		Limit	1.0 mm (0.039 in)
	"Thrust" runout of impeller end		0.5 mm (0.020 in)

1. Water Pump



S2M0010A

- (1) Water by-pass hose A (AT vehicles)
- (2) Water by-pass pipe (AT vehicles)
- (3) Water by-pass hose B (AT vehicles)
- (4) Water pump ASSY
- (5) Gasket
- (6) Heater hose
- (7) Thermostat
- (8) Gasket
- (9) Thermostat cover

Tightening torque: N-m (kg-m, ft-lb)

T1:

First:

12±2 (1.2±0.2, 8.7±1.4)

Second:

12±2 (1.2±0.2, 8.7±1.4)

T2: 6.4±0.5 (0.65±0.05, 4.7±0.4)