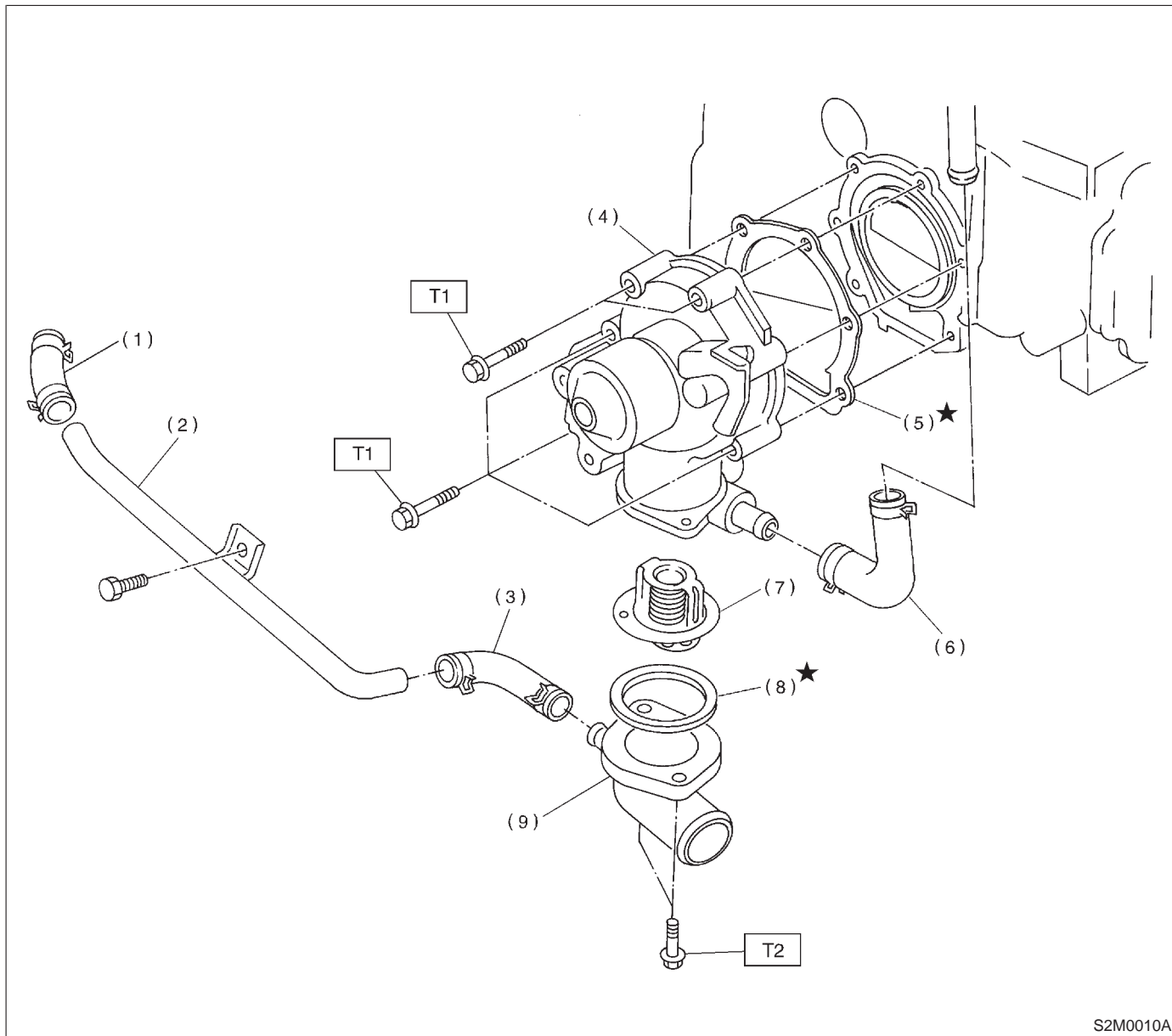


1. Water Pump



- | | |
|--|----------------------|
| (1) Water by-pass hose A (AT vehicles) | (6) Heater hose |
| (2) Water by-pass pipe (AT vehicles) | (7) Thermostat |
| (3) Water by-pass hose B (AT vehicles) | (8) Gasket |
| (4) Water pump ASSY | (9) Thermostat cover |
| (5) Gasket | |

Tightening torque: N-m (kg-m, ft-lb)

T1:

First:

12±2 (1.2±0.2, 8.7±1.4)

Second:

12±2 (1.2±0.2, 8.7±1.4)

T2: 6.4±0.5 (0.65±0.05, 4.7±0.4)