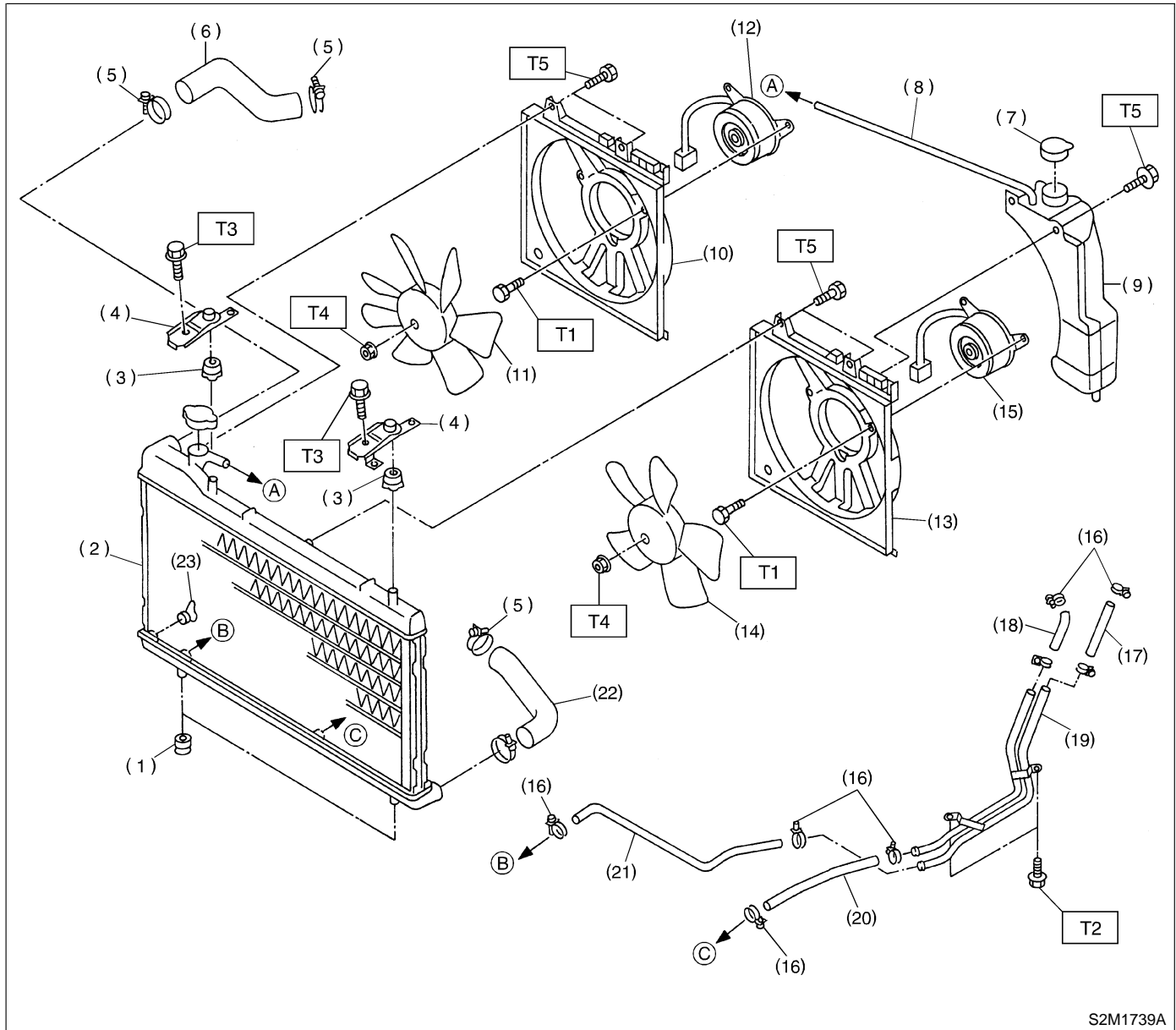


2. Radiator and Radiator Fan



- (1) Radiator lower cushion
- (2) Radiator
- (3) Radiator upper cushion
- (4) Radiator upper bracket
- (5) Clamp
- (6) Radiator inlet hose
- (7) Engine coolant reservoir tank cap
- (8) Over flow hose
- (9) Engine coolant reservoir tank
- (10) Sub fan shroud
- (11) Radiator sub fan
- (12) Radiator sub fan motor

- (13) Main fan shroud
- (14) Radiator main fan
- (15) Radiator main fan motor
- (16) ATF hose clamp (AT vehicles only)
- (17) ATF inlet hose A (AT vehicles only)
- (18) ATF outlet hose A (AT vehicles only)
- (19) ATF pipe (AT vehicles only)
- (20) ATF outlet hose B (AT vehicles only)
- (21) ATF inlet hose B (AT vehicles only)
- (22) Radiator outlet hose
- (23) Radiator drain plug

- (21) ATF inlet hose B (AT vehicles only)
- (22) Radiator outlet hose
- (23) Radiator drain plug

Tightening torque: N·m (kg·m, ft·lb)

T1: 4.4±0.5 (0.45±0.05, 3.3±0.4)

T2: 12±3 (1.2±0.3, 8.7±2.2)

T3: 18±5 (1.8±0.5, 13.0±3.6)

T4: 3.4±0.5 (0.35±0.05, 2.5±0.4)

T5: 4.9±1.5 (0.50±0.15, 3.6±1.1)