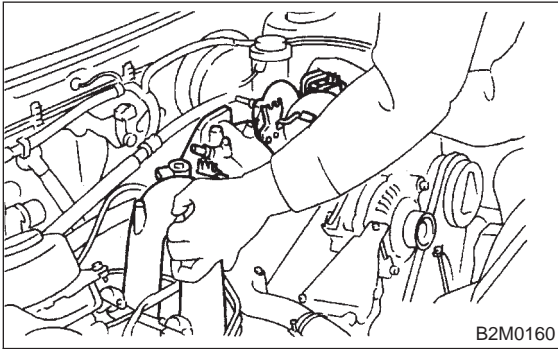
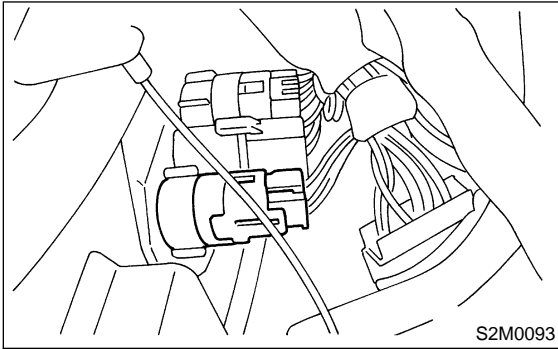


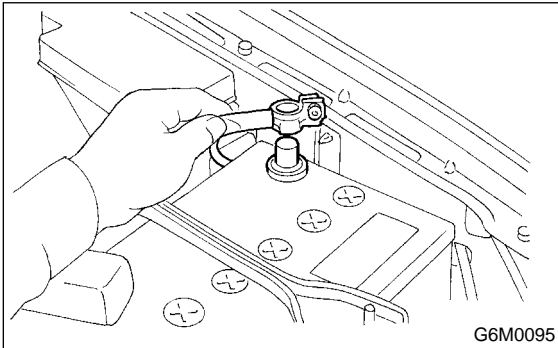
- 4) Install intake manifold.
 <Ref. to 2-7 [W3D0].>



- 5) Connect connector to fuel pump relay.



- 6) Connect ground cable to battery.

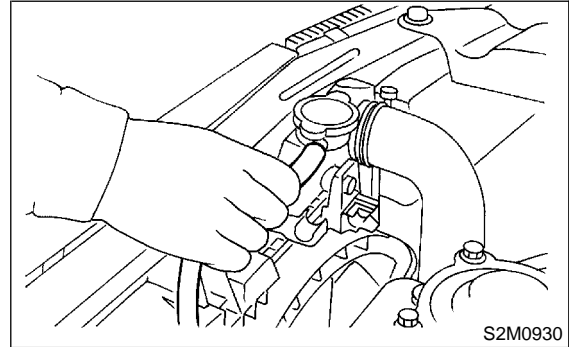


- 7) Lift-up the vehicle.
 8) Install under cover.
 9) Lower the vehicle.
 10) Fill coolant.
 <Ref. to 2-5 [W9B0].>

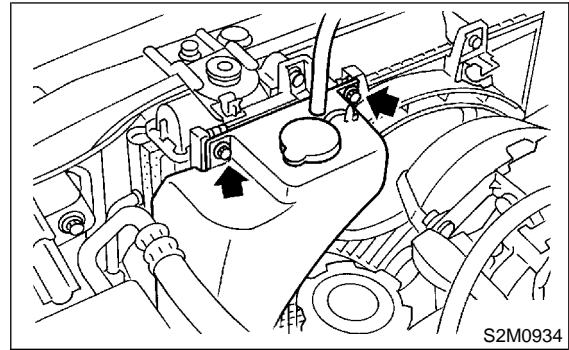
8. Reservoir Tank

A: REMOVAL AND INSTALLATION

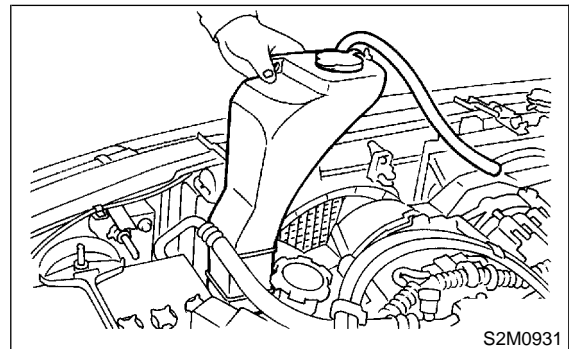
- 1) Disconnect over flow hose from radiator filler neck position.



- 2) Remove bolts which install reservoir tank onto radiator main fan shroud.



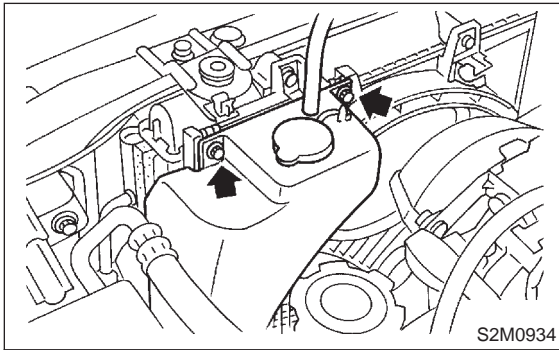
- 3) Remove reservoir tank.



4) Install in the reverse order of removal.

Tightening torque:

$4.9 \pm 1.5 \text{ N}\cdot\text{m}$ ($0.50 \pm 0.15 \text{ kg}\cdot\text{m}$, $3.6 \pm 1.1 \text{ ft}\cdot\text{lb}$)



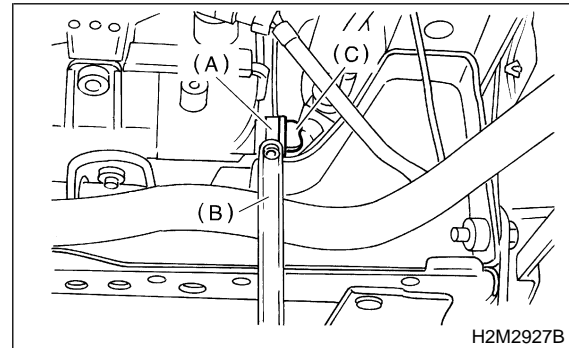
9. Engine Coolant

A: DRAINING OF ENGINE COOLANT

WARNING:

The radiator is pressurized. Wait until engine cools down before working on the radiator.

- 1) Lift-up the vehicle.
- 2) Remove under cover.
- 3) Fit vinyl tube to drain pipe.



- (A) Drain pipe
- (B) Vinyl tube
- (C) Drain cock

- 4) Loosen drain cock to drain engine coolant into container.

NOTE:

Remove radiator cap so that engine coolant will drain faster.

