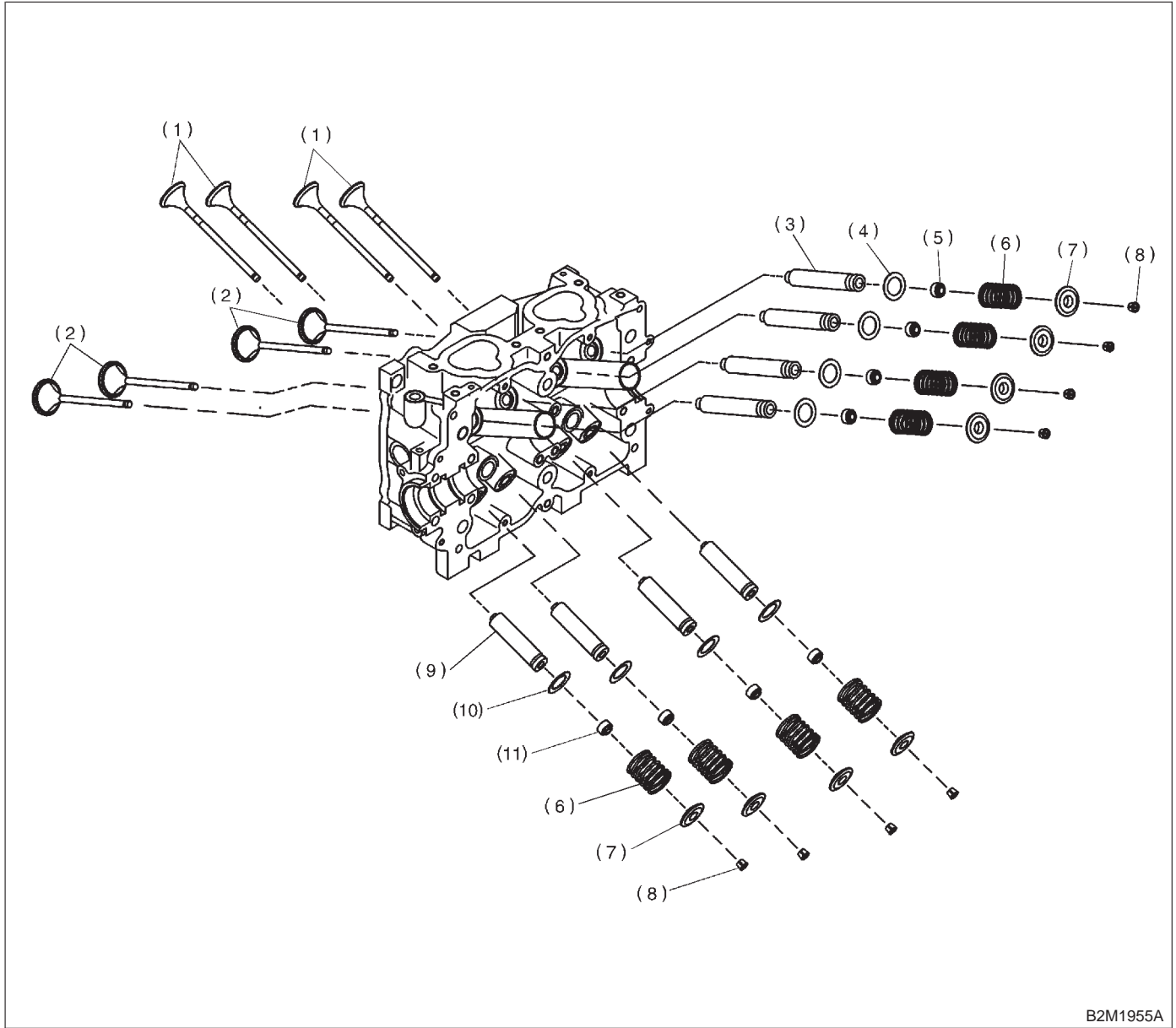


3. Cylinder Head and Valve Assembly



B2M1955A

- | | | |
|------------------------------|---------------------------|--------------------------------|
| (1) Exhaust valve | (5) Intake valve oil seal | (9) Exhaust valve guide |
| (2) Intake valve | (6) Valve spring | (10) Exhaust valve spring seat |
| (3) Intake valve guide | (7) Retainer | (11) Exhaust valve oil seal |
| (4) Intake valve spring seat | (8) Retainer key | |