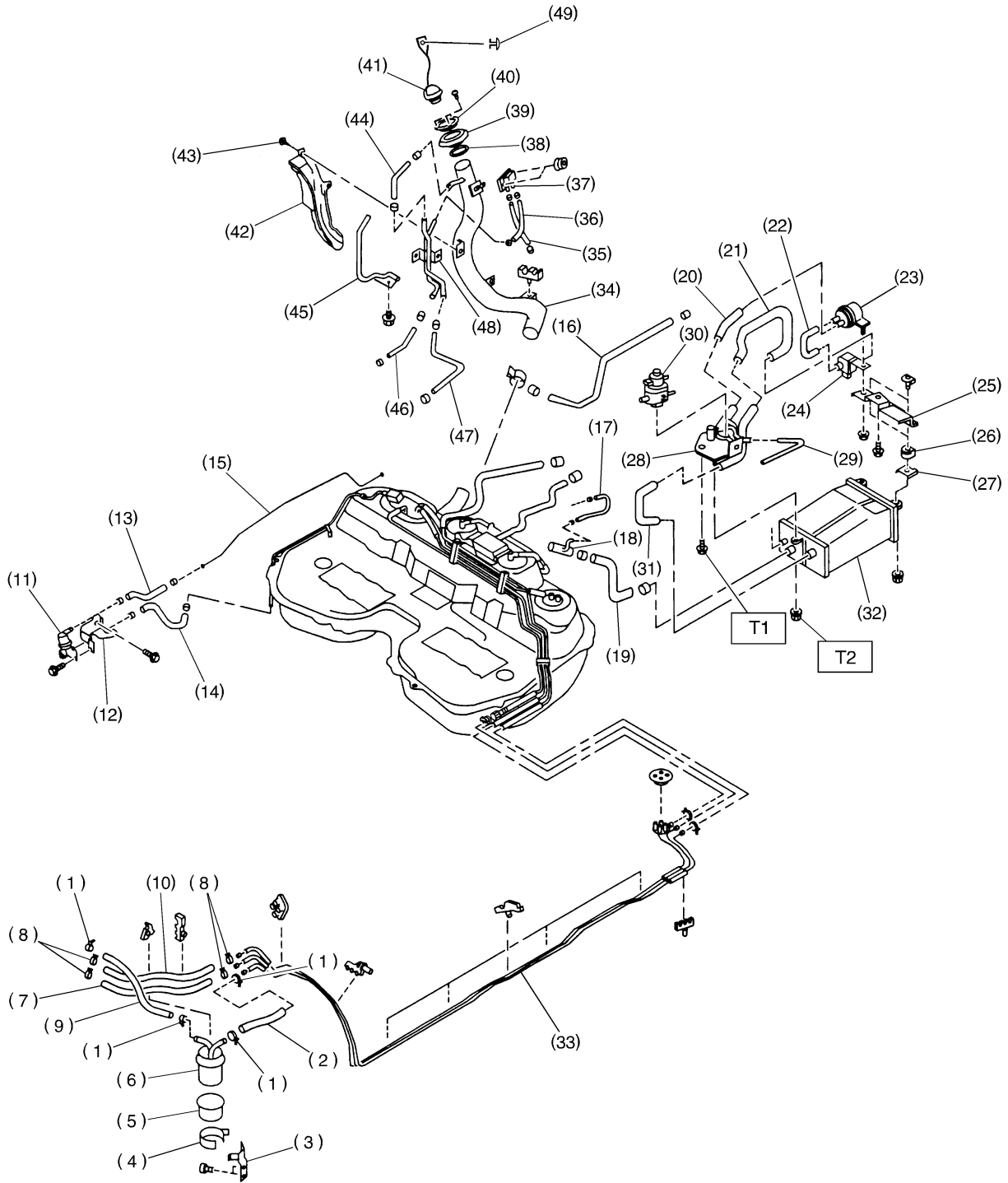


2. Fuel Line



S2M2002A

- | | | |
|------------------------------|--------------------------------------|---------------------------------|
| (1) Clamp | (19) Canister hose A | (37) Shut valve |
| (2) Fuel delivery hose A | (20) Air filter hose A | (38) Packing |
| (3) Fuel filter bracket | (21) Drain valve hose | (39) Ring A |
| (4) Fuel filter holder | (22) Air filter hose B | (40) Ring B |
| (5) Fuel filter cup | (23) Drain filter | (41) Fuel filler cap |
| (6) Fuel filter | (24) Drain valve | (42) Fuel filler pipe protector |
| (7) Evaporation hose | (25) Canister upper bracket | (43) Tapping screw |
| (8) Clip | (26) Cushion rubber | (44) Evaporation hose O |
| (9) Fuel delivery hose B | (27) Canister lower bracket | (45) Joint pipe |
| (10) Fuel return hose | (28) Canister holder | (46) Evaporation hose P |
| (11) Roll over valve | (29) Evaporation hose L | (47) Evaporation hose Q |
| (12) Roll over valve bracket | (30) Pressure control solenoid valve | (48) Evaporation pipe |
| (13) Evaporation hose H | (31) Canister hose B | (49) Clip |
| (14) Evaporation hose I | (32) Canister | |
| (15) Evaporation pipe B | (33) Fuel pipe ASSY | |
| (16) Evaporation hose J | (34) Fuel filler pipe | |
| (17) Evaporation hose K | (35) Evaporation hose M | |
| (18) Joint pipe | (36) Evaporation hose N | |

Tightening torque: N·m (kg·m, ft·lb)

T1: 17.7±5 (1.8±0.5, 13.0±3.6)

T2: 23±7 (2.3±0.7, 16.6±5.1)
