

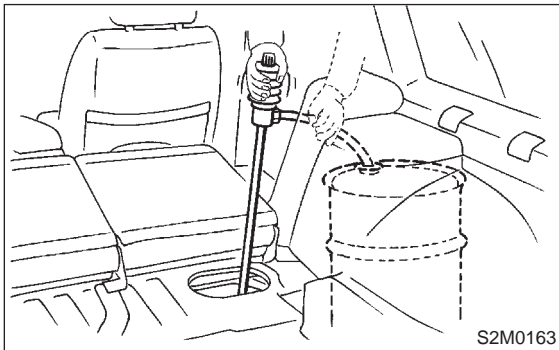
## 2. Fuel Filler Pipe

### A: REMOVAL

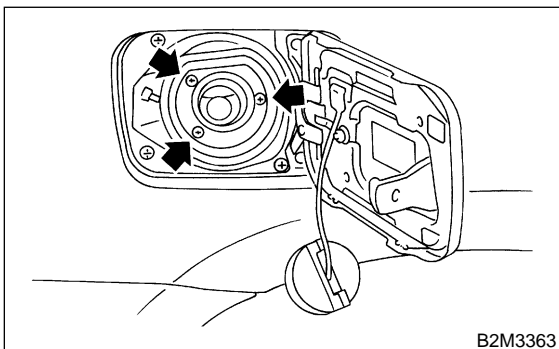
**WARNING:**

- Place "NO FIRE" signs near the working area.
- Be careful not to spill fuel on the floor.

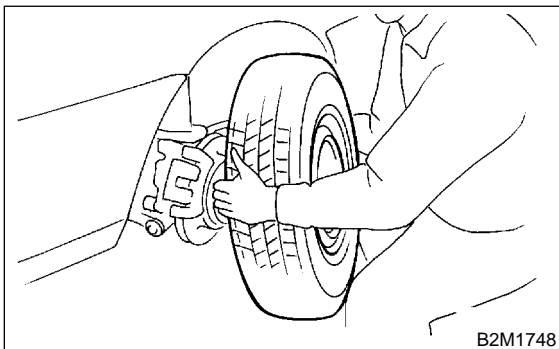
- 1) Set the vehicle on the lift.
- 2) Drain fuel from fuel tank. <Ref. to 2-8 [W1B0].>



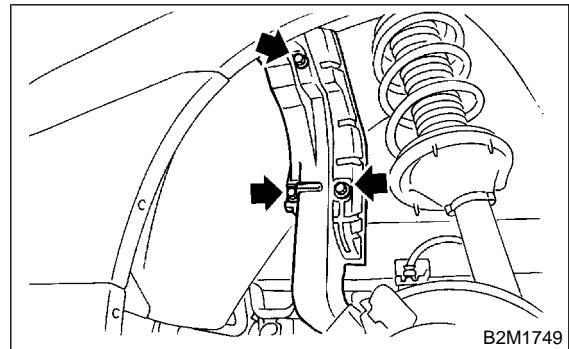
- 3) Remove screws which install fuel filler pipe on filler lid open.



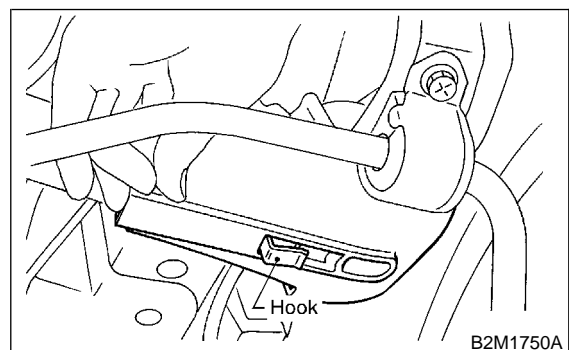
- 4) Remove wheel nuts of rear right side.
- 5) Lift-up the vehicle.
- 6) Remove rear right side wheel.



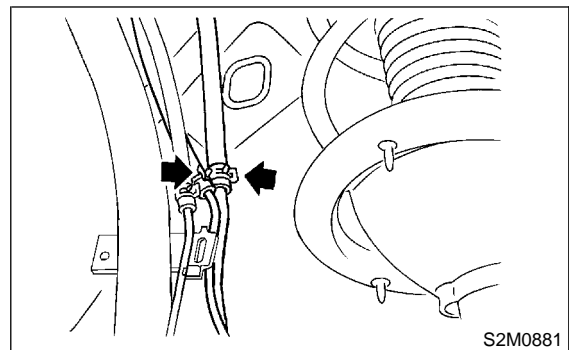
- 7) Remove bolts which install protector cover on body.



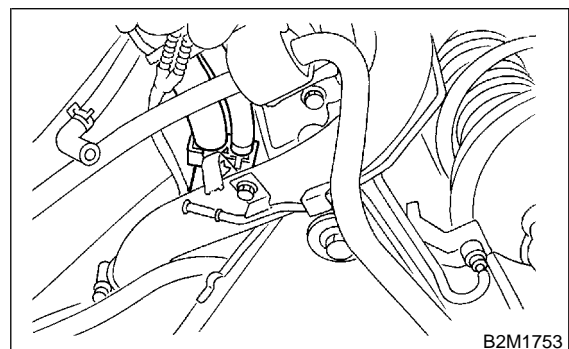
- 8) While releasing the under side of protector cover from hook, remove it.



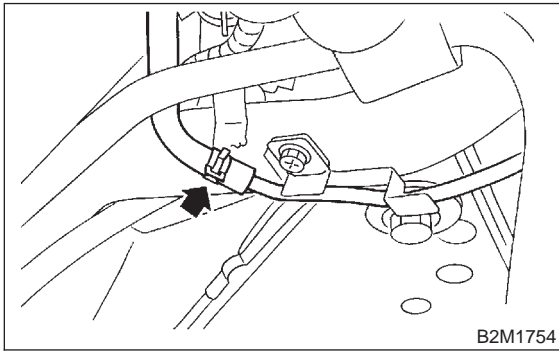
- 9) Disconnect evaporation hoses from pipes.



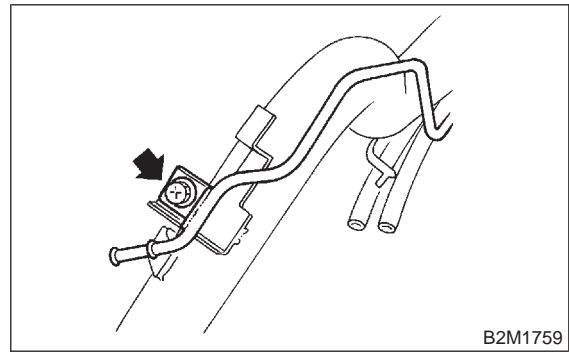
- 10) Lift-up the vehicle more.
- 11) Remove the two evaporation hoses from clip.



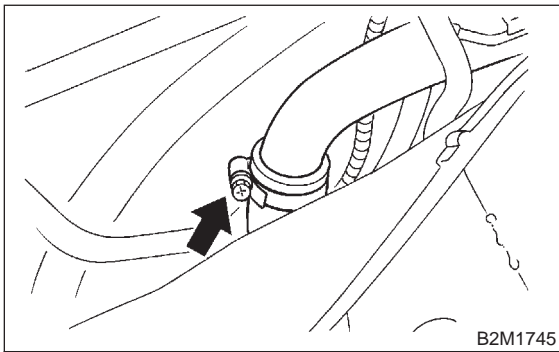
12) Disconnect evaporation hose from joint pipe.



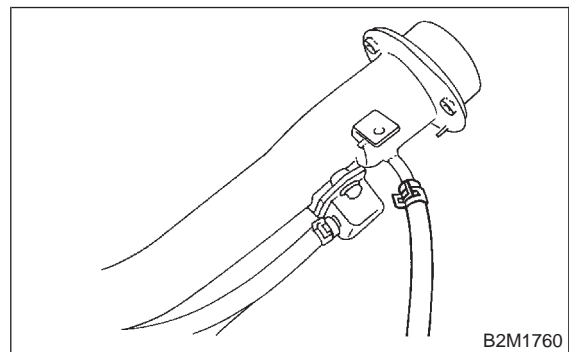
2) Remove bolt which installs joint pipe on fuel filler pipe.



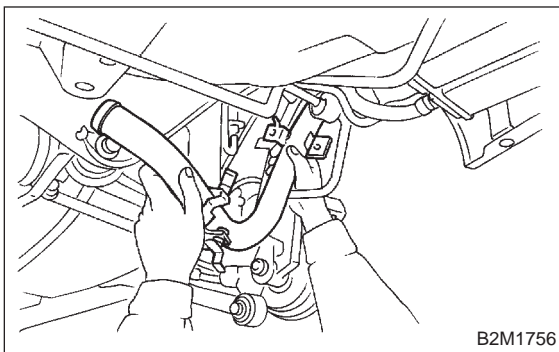
13) Loosen clamp, and disconnect fuel filler hose from fuel filler pipe.



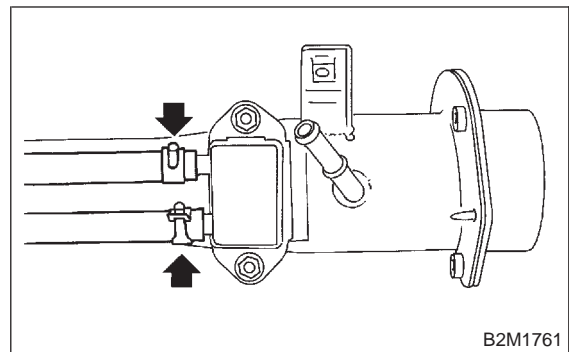
3) Disconnect evaporation hose from fuel filler pipe.



14) Remove fuel filler pipe to under side of vehicle.

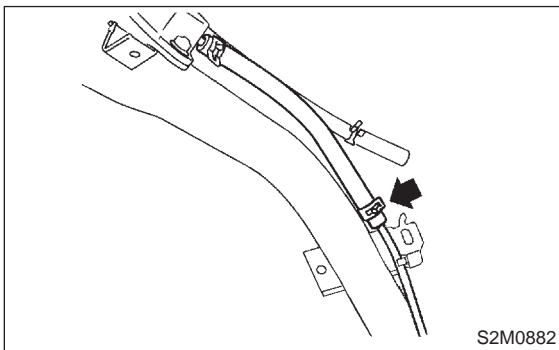


4) Disconnect evaporation hoses from shut valve.

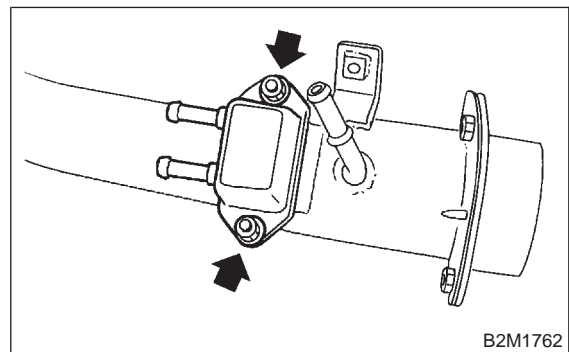


**B: DISASSEMBLY**

1) Move clip, and disconnect evaporation hose from joint pipe.



5) Remove shut valve from fuel filler pipe.

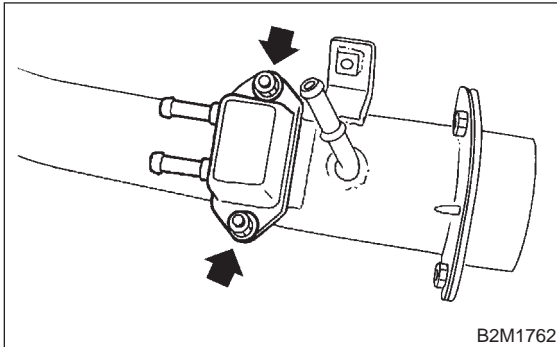


**C: ASSEMBLY**

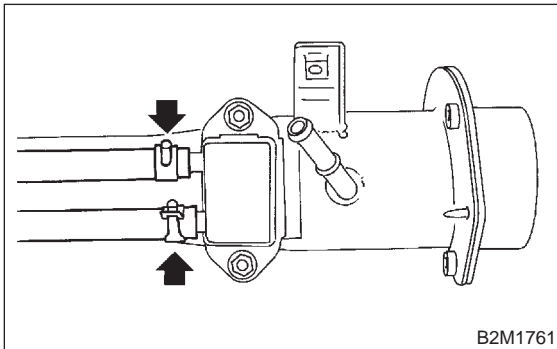
1) Install shut valve on fuel filler pipe.

**Tightening torque:**

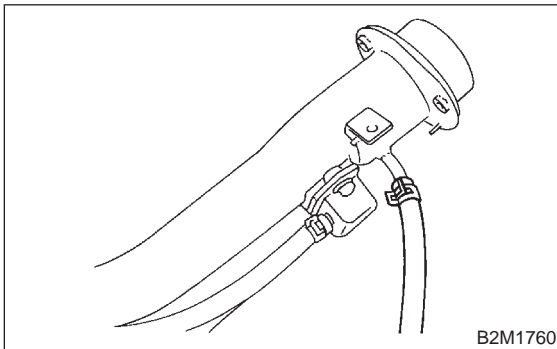
**$4.4 \pm 1.5 \text{ N}\cdot\text{m}$  ( $0.45 \pm 0.15 \text{ kg}\cdot\text{m}$ ,  $3.3 \pm 1.1 \text{ ft}\cdot\text{lb}$ )**



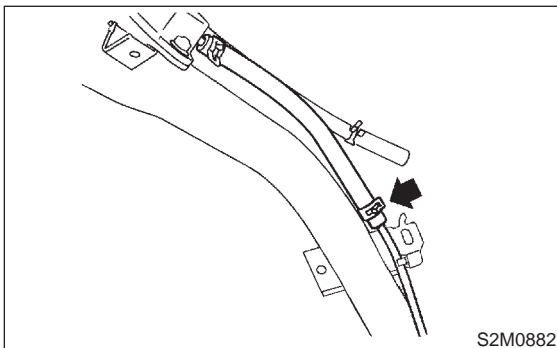
2) Connect evaporation hoses to shut valve.



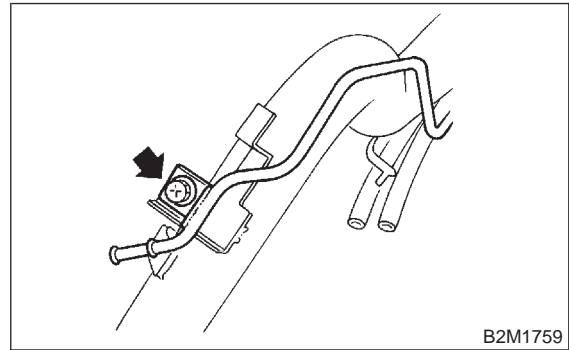
3) Connect evaporation hose to fuel filler pipe.



4) Connect evaporation hose to evaporation pipe.

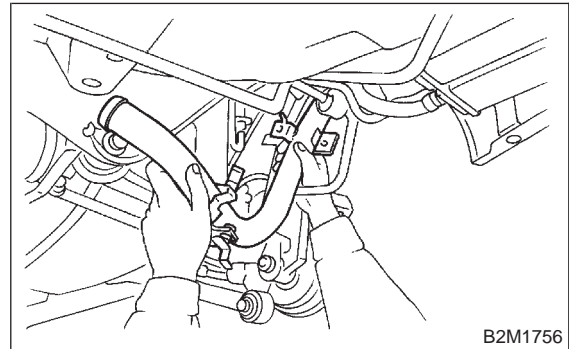


5) Install evaporation pipe to fuel filler pipe.

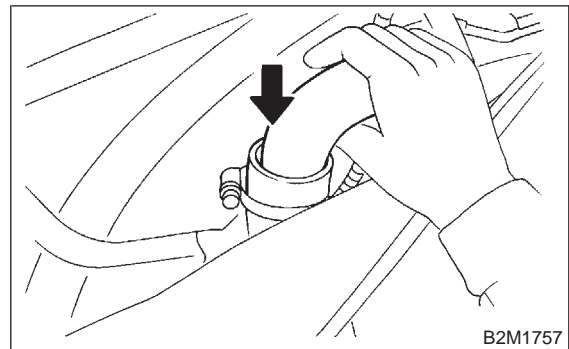


**D: INSTALLATION**

1) Set fuel filler pipe from under side of vehicle, and hold it on fuel filler flap open.

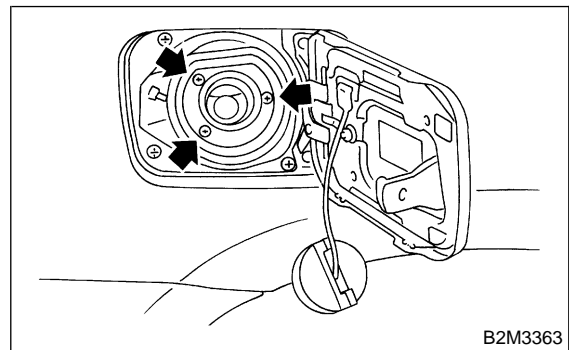


2) Connect fuel filler pipe into fuel filler hose.

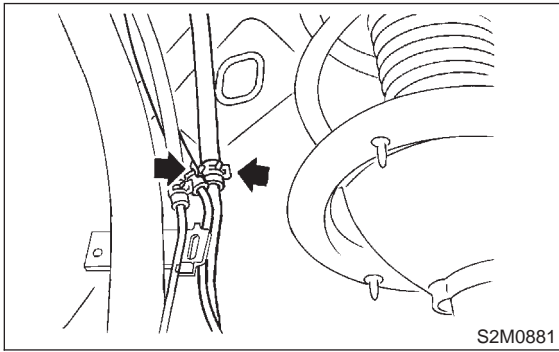


3) Lower the vehicle.

4) Temporarily tighten screws which install fuel filler pipe on filler lid open.

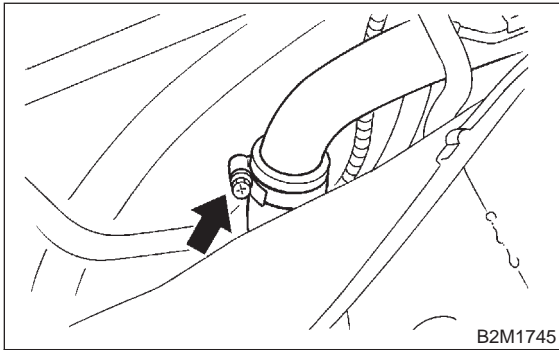


5) Connect evaporation hoses to pipes.

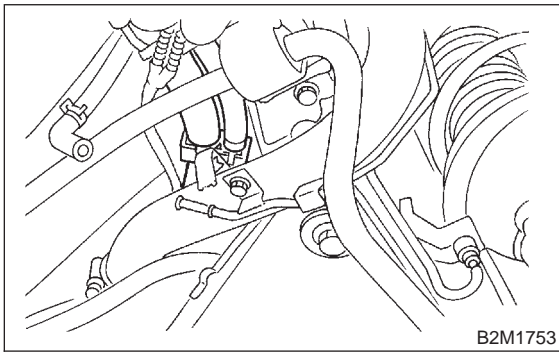


6) Lift-up the vehicle.

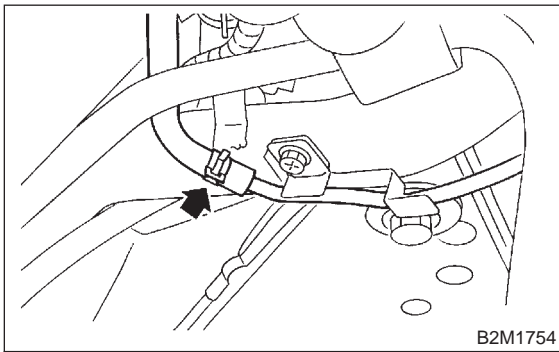
7) Tighten clamp bolt which holds fuel filler hose.



8) Install the two evaporation hoses to clip.

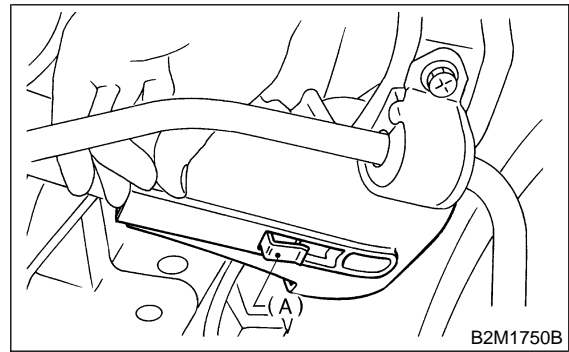


9) Connect evaporation hose to joint pipe.



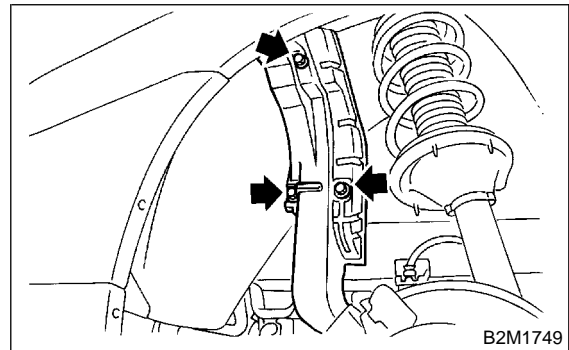
10) Lower the vehicle.

11) While holding the under side of protector cover on bracket, install it.

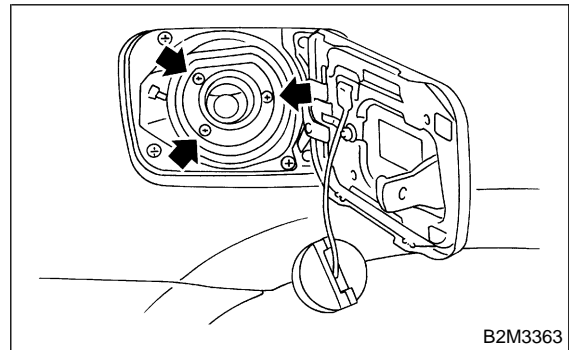


(A) Hook

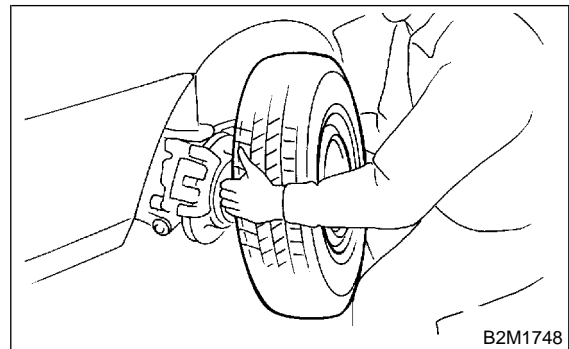
12) Tighten bolts which install protector cover on body.



13) Tighten screws which install fuel filler pipe on filler lid open.

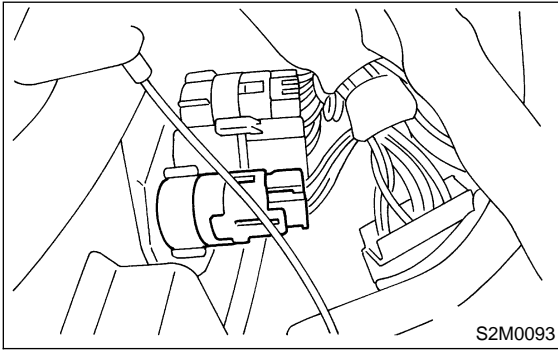


14) Install rear right wheel.

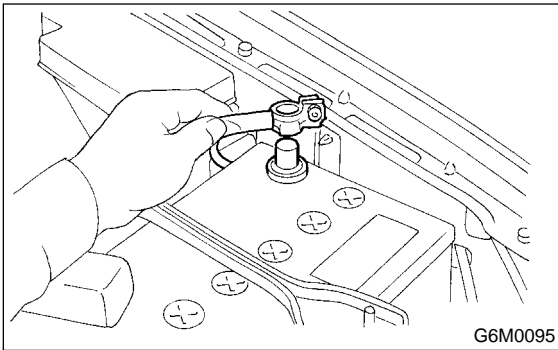


15) Install fuel filler cap.

16) Connect connector to fuel pump relay.



17) Connect battery ground terminal.



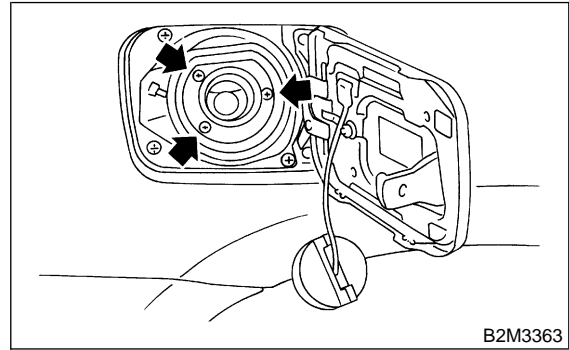
### 3. Fuel Pump

#### A: REMOVAL

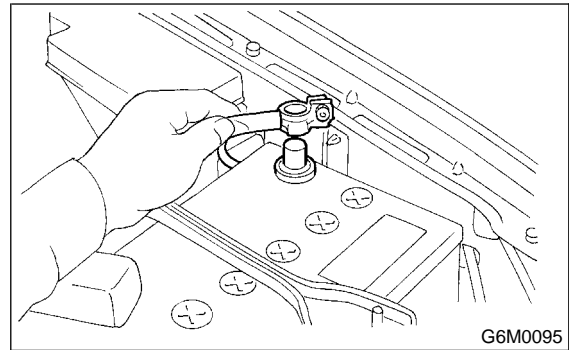
**WARNING:**

- Place “NO FIRE” signs near the working area.
- Be careful not to spill fuel on the floor.

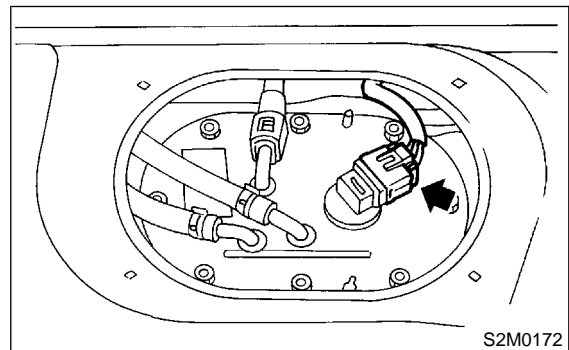
- 1) Release fuel pressure. <Ref. to 2-8 [W1B0].>
- 2) Open fuel flap lid, and remove fuel filler cap.



3) Disconnect battery ground cable.



4) Disconnect connector from fuel pump.



5) Move clips, and then disconnect fuel delivery hose (A), return hose (B) and jet pump hose (C).