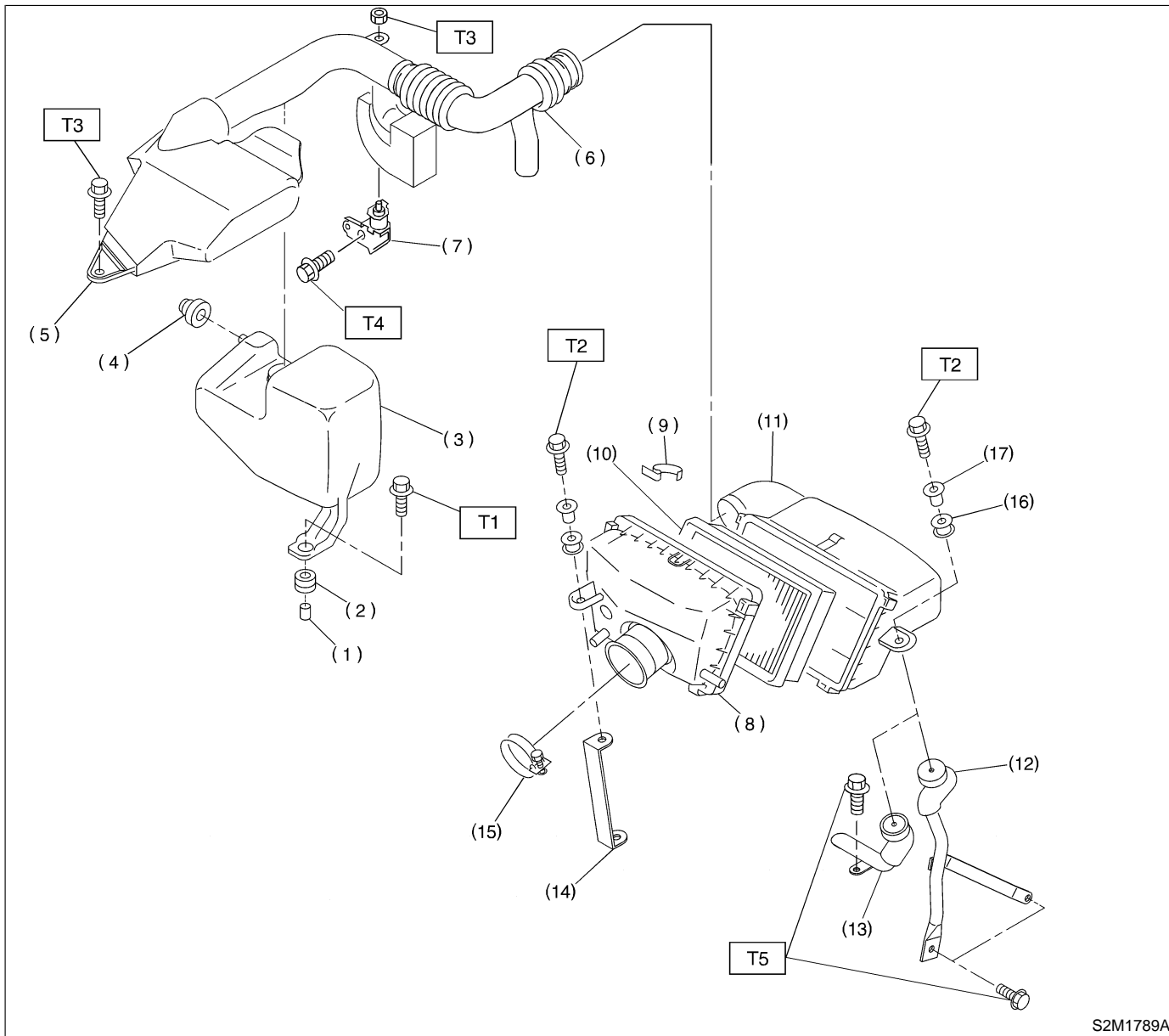


3. Air Cleaner



- (1) Spacer
- (2) Bush
- (3) Air chamber
- (4) Cushion rubber
- (5) Air intake duct A
- (6) Air intake duct B
- (7) Holder
- (8) Air cleaner case A
- (9) Clip

- (10) Air cleaner element
- (11) Air cleaner case B
- (12) Air cleaner case stay LH (MT vehicles)
- (13) Air cleaner case stay LH (AT vehicles)
- (14) Air cleaner case stay RH
- (15) Clamp
- (16) Bush

- (17) Spacer

Tightening torque: N·m (kg·m, ft·lb)

- T1: 33±10 (3.4±1.0, 25±7)**
- T2: 6.4±0.5 (0.65±0.05, 4.7±0.4)**
- T3: 7.4±2.0 (0.75±0.2, 5.4±1.4)**
- T4: 14±4 (1.4±0.4, 10.1±2.9)**
- T5: 16±5 (1.6±0.5, 11.6±3.6)**