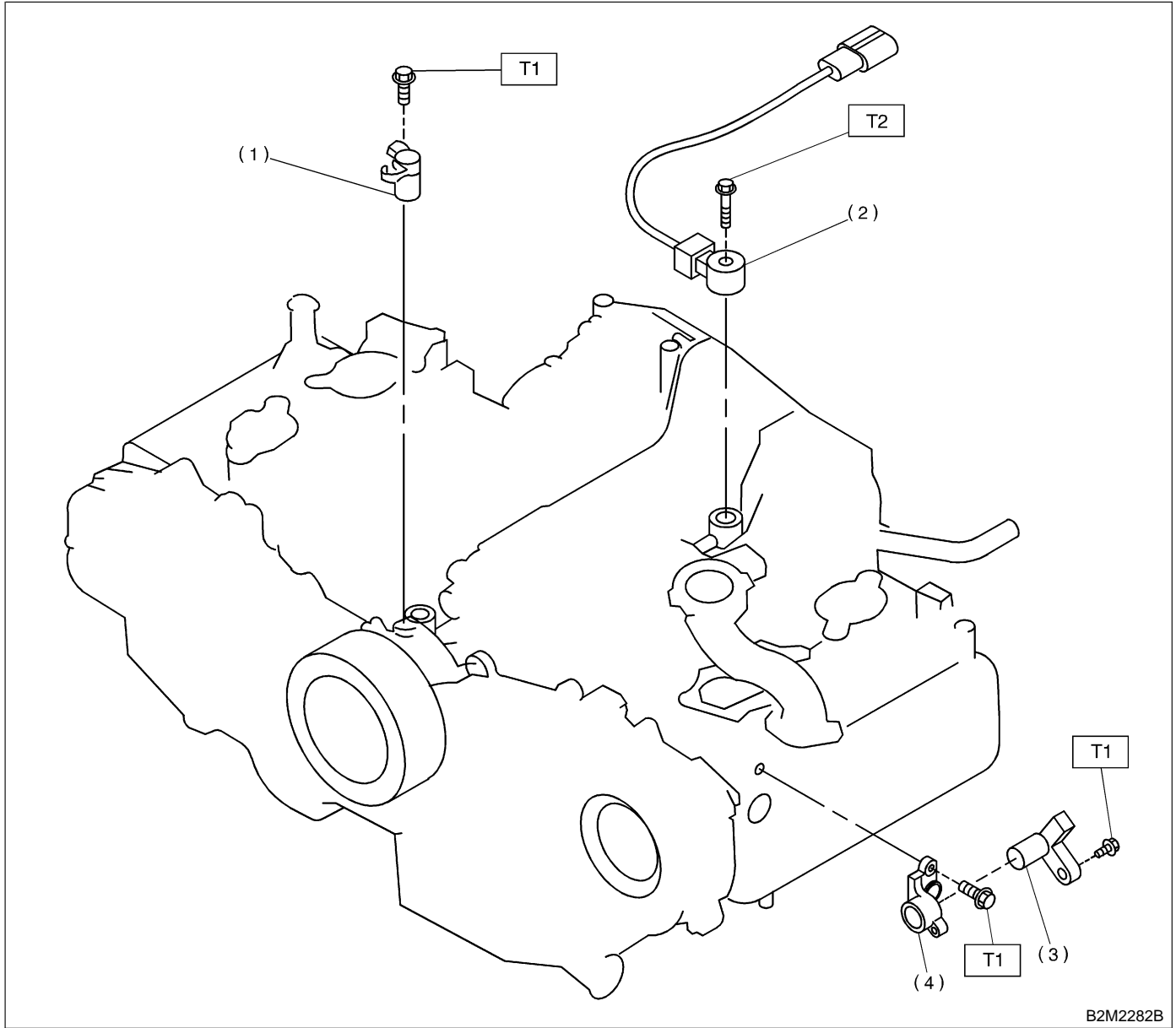


4. Crankshaft Position, Camshaft Position and Knock Sensors



(1) Crankshaft position sensor

(2) Knock sensor

(3) Camshaft position sensor

(4) Camshaft position sensor support

**Tightening torque: N-m (kg-m, ft-lb)**

**T1: 6.4±0.5 (0.65±0.05, 4.7±0.4)**

**T2: 23.5±2.9 (2.4±0.3, 17.4±2.2)**