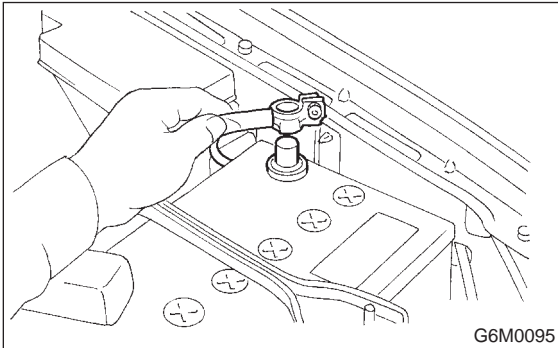


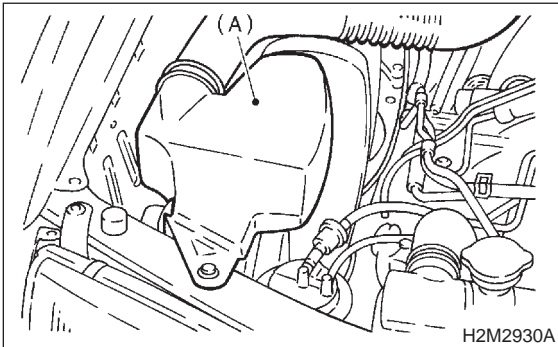
1. Air Cleaner Case and Air Intake Duct

A: REMOVAL AND INSTALLATION

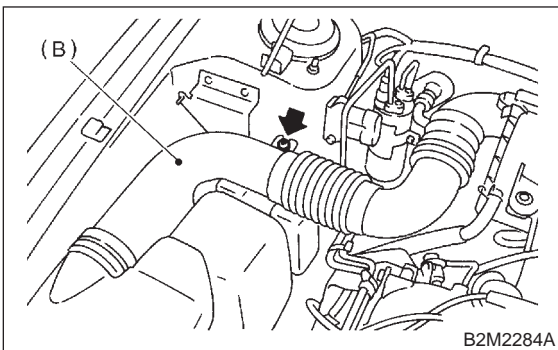
1) Disconnect battery ground cable.



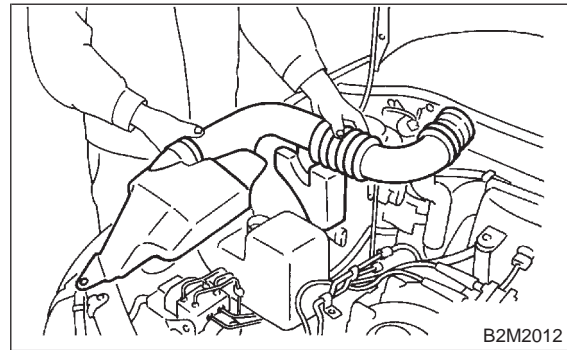
2) Remove bolt which installs air intake duct (A) on the front side of body.



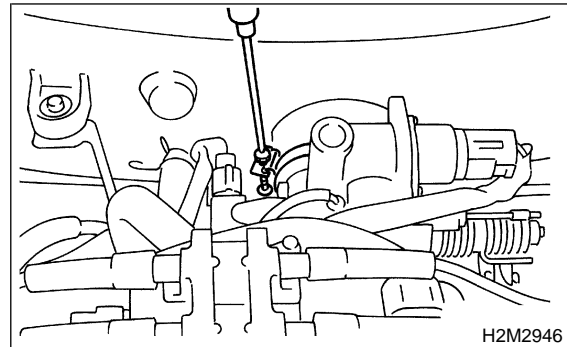
3) Remove bolt which installs air intake duct (B) on body.



4) Remove air intake duct (A) and (B) as a unit.

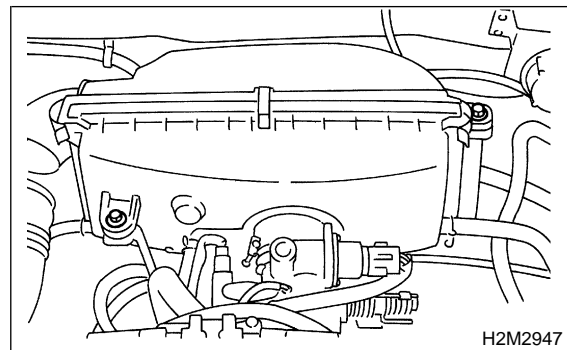


5) Loosen clamp which connects air cleaner case to throttle body.



6) Disconnect hoses from air cleaner case.

7) Remove bolts which install air cleaner case to stays.



8) Remove air cleaner case.

9) Install in the reverse order of removal.