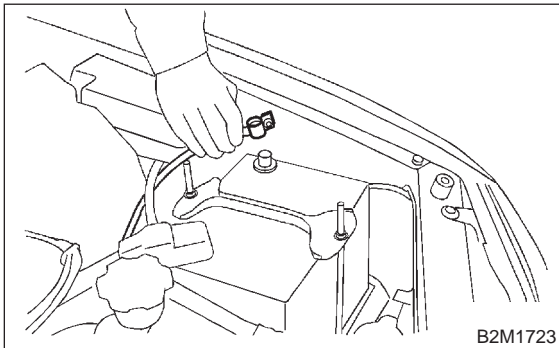


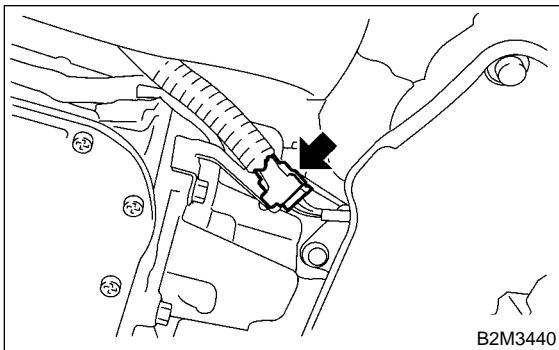
9. Rear Oxygen Sensor

A: REMOVAL

- 1) Set the vehicle on the lift.
- 2) Disconnect battery ground cable.



- 3) Disconnect connector from rear oxygen sensor.



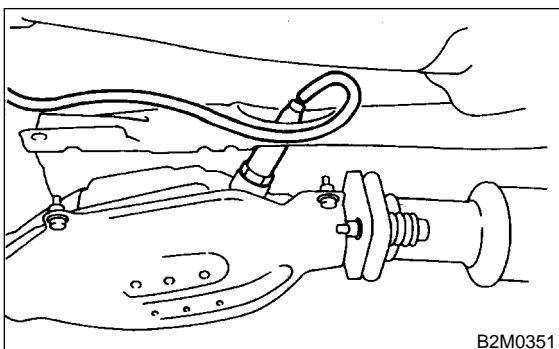
- 4) Lift-up the vehicle.
- 5) Apply SUBARU CRC or its equivalent to threaded portion of rear oxygen sensor, and leave it for one minute or more.

SUBARU CRC (Part No. 004301003)

- 6) Remove rear oxygen sensor.

CAUTION:

When removing, do not force rear oxygen sensor in an unnatural way especially when exhaust pipe is cold, otherwise it will damage exhaust pipe.



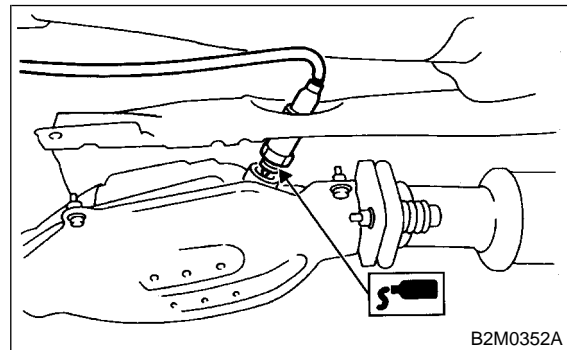
B: INSTALLATION

- 1) Before installing rear oxygen sensor, apply anti-seize compound only to threaded portion of rear oxygen sensor to make the next removal easier.

CAUTION:

Never apply anti-seize compound to protector of rear oxygen sensor.

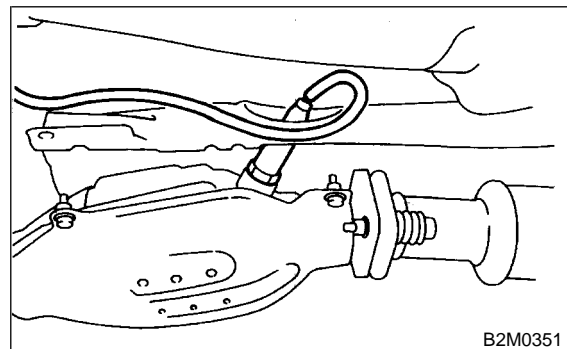
**Anti-seize compound:
SS-30 by JET LUBE**



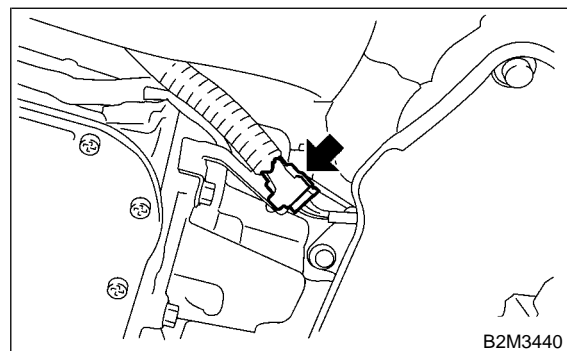
- 2) Install rear oxygen sensor.

Tightening torque:

21±3 N·m (2.1±0.3 kg·m, 15.2±2.2 ft·lb)

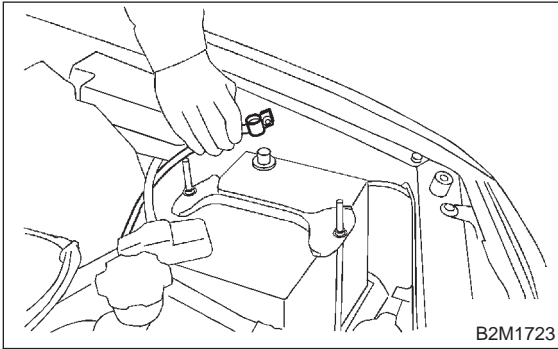


- 3) Connect connector to rear oxygen sensor.

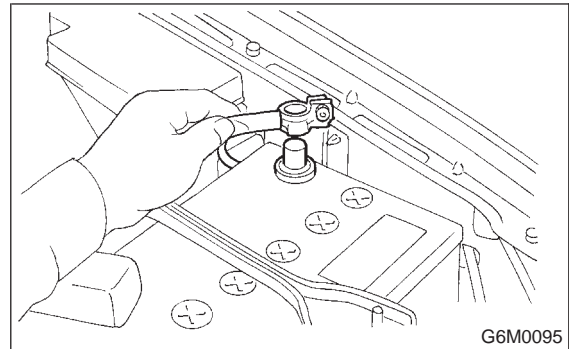


10. Throttle Position Sensor

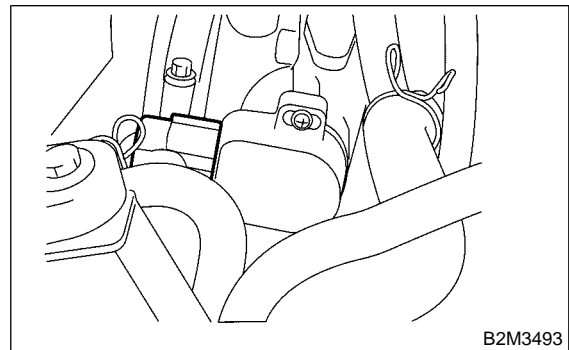
- 4) Lower the vehicle.
- 5) Connect battery ground cable.

**10. Throttle Position Sensor**
A: REMOVAL AND INSTALLATION

- 1) Disconnect battery ground cable.



- 2) Disconnect connector from throttle position sensor.



- 3) Remove throttle position sensor holding screws, and remove it.

