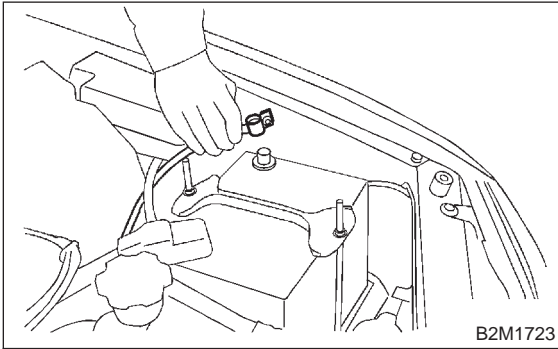


10. Throttle Position Sensor

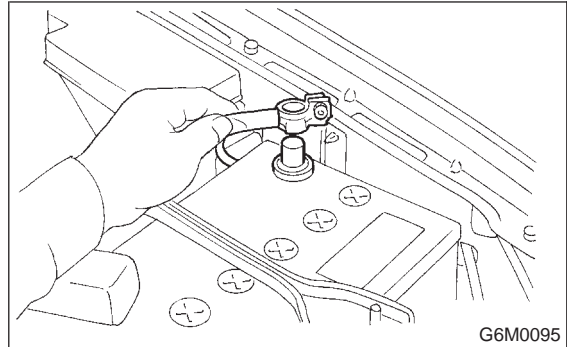
- 4) Lower the vehicle.
- 5) Connect battery ground cable.



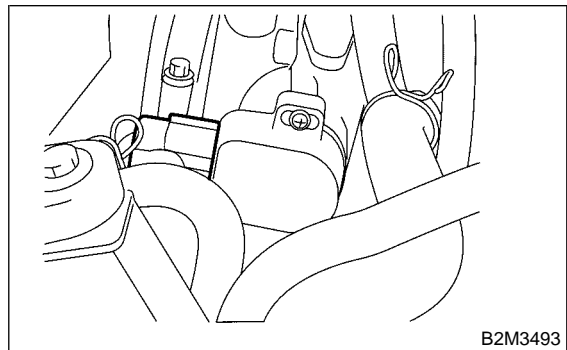
10. Throttle Position Sensor

A: REMOVAL AND INSTALLATION

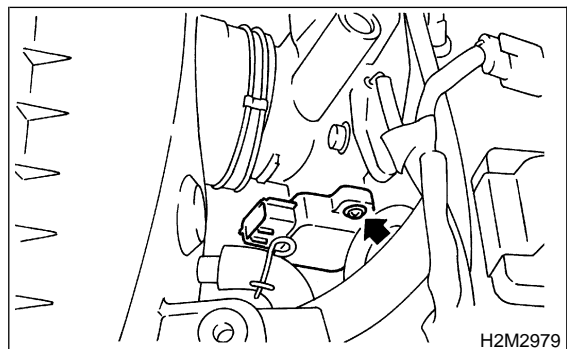
- 1) Disconnect battery ground cable.



- 2) Disconnect connector from throttle position sensor.



- 3) Remove throttle position sensor holding screws, and remove it.



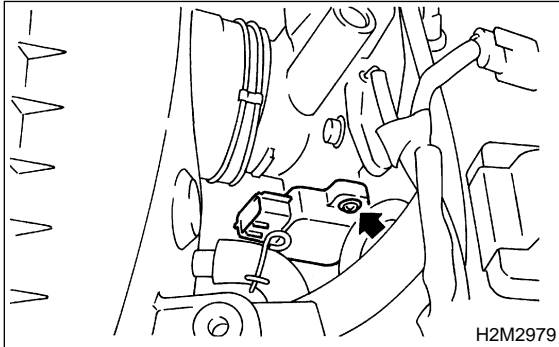
4) Install in the reverse order of removal.

Tightening torque:

$2.2 \pm 0.2 \text{ N}\cdot\text{m}$ ($0.22 \pm 0.02 \text{ kg}\cdot\text{m}$, $1.6 \pm 0.1 \text{ ft}\cdot\text{lb}$)

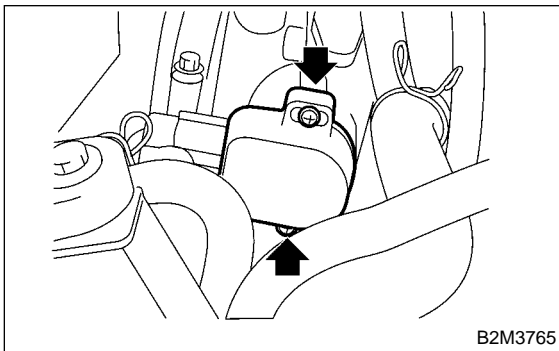
CAUTION:

When installing throttle position sensor, adjust to the specified data.



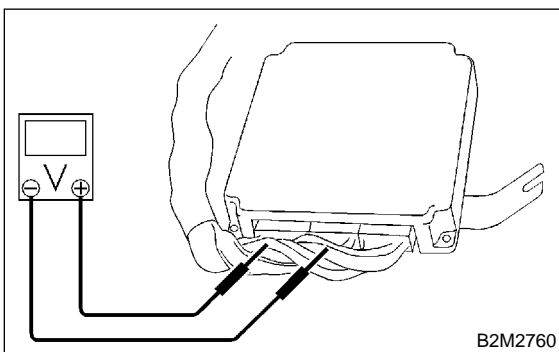
B: ADJUSTMENT

- 1) Turn ignition switch to OFF.
- 2) Loosen throttle position sensor holding screws.



- 3) When using voltage meter;
 - (1) Take out ECM.
 - (2) Turn ignition switch to ON.
 - (3) Adjust throttle position sensor to the proper position to allow the voltage signal to ECM to be in specification.

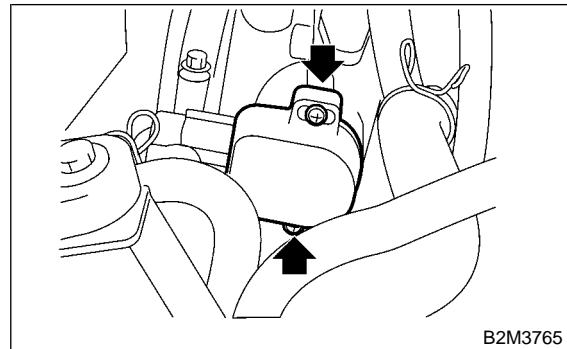
Connector & terminal / Specified voltage
(B136) No. 15 — (B136) No. 17 / 0.45 —
0.55 V
[Fully closed.]



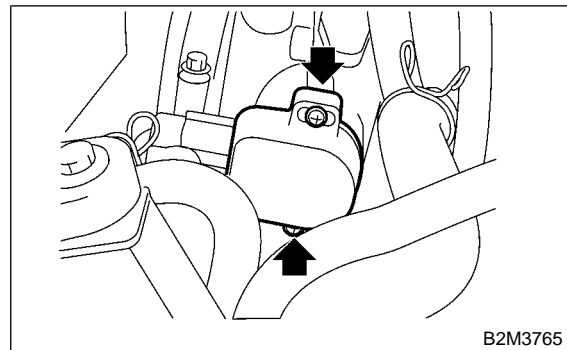
(4) Tighten throttle position sensor holding screws.

Tightening torque:

$2.2 \pm 0.2 \text{ N}\cdot\text{m}$ ($0.22 \pm 0.02 \text{ kg}\cdot\text{m}$, $1.6 \pm 0.1 \text{ ft}\cdot\text{lb}$)



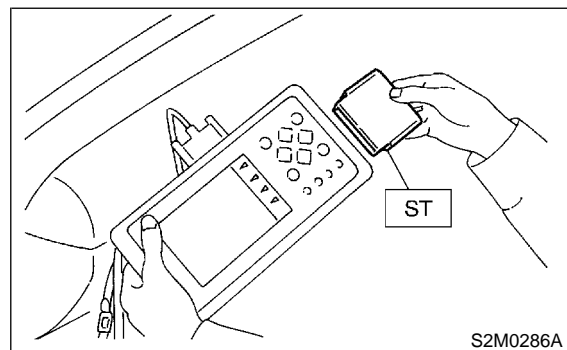
- 4) When using Subaru Select Monitor;
 - (1) Turn ignition switch to OFF.
 - (2) Loosen throttle position sensor holding screws.



NOTE:

For detailed operation procedures, refer to the Subaru Select Monitor Operation Manual.

- (3) Insert the cartridge to Subaru Select Monitor.
 <Ref. to 1-6 [G1100].>



- (4) Connect Subaru Select Monitor to the data link connector.
- (5) Turn ignition switch to ON, and Subaru Select Monitor switch to ON.
- (6) Select {2. Each System Check} in Main Menu.

11. Intake Air Temperature and Pressure Sensor

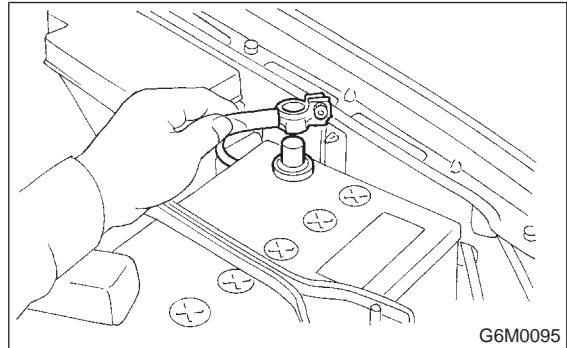
- 7) Select {Engine Control System} in Selection Menu.
- 8) Select {1. Current Data Display & Save} in Engine Control System Diagnosis.
- 9) Select {1.12 Data Display} in Data Display Menu.
- 10) Adjust throttle position sensor to the proper position to match with the following specifications.

Condition: Throttle fully closed
Throttle opening angle 0.00%
Throttle sensor voltage 0.50 V

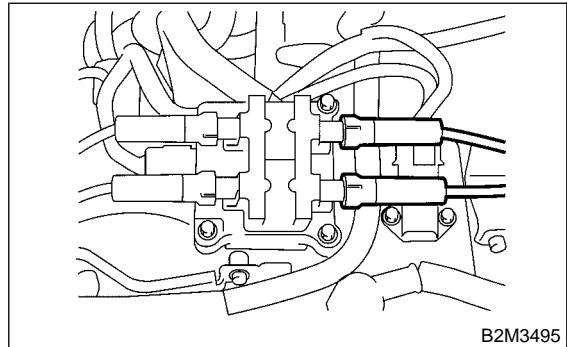
11. Intake Air Temperature and Pressure Sensor

A: REMOVAL AND INSTALLATION

- 1) Disconnect battery ground cable.



- 2) Disconnect spark plug cord from ignition coil and ignitor assembly.



- 3) Disconnect connector from intake air temperature and pressure sensor.

