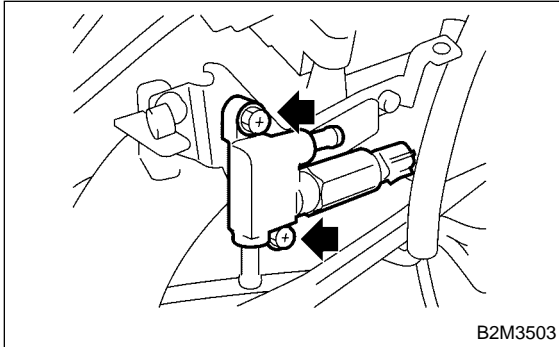


15. Purge Control Solenoid Valve

4) Install in the reverse order of removal.

Tightening torque:

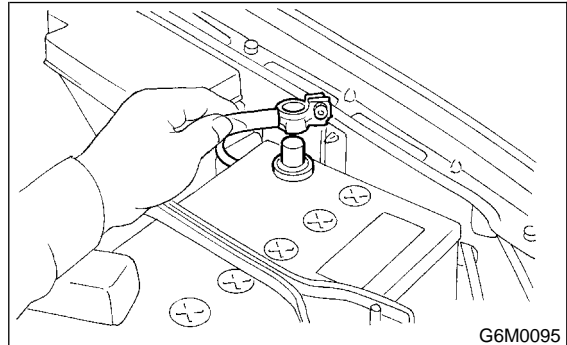
$15.7 \pm 1.5 \text{ N}\cdot\text{m}$ ($1.6 \pm 0.15 \text{ kg}\cdot\text{m}$, $11.6 \pm 1.1 \text{ ft}\cdot\text{lb}$)



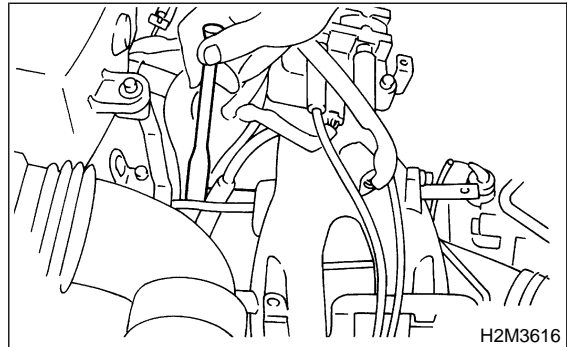
15. Purge Control Solenoid Valve

A: REMOVAL AND INSTALLATION

1) Disconnect battery ground cable.

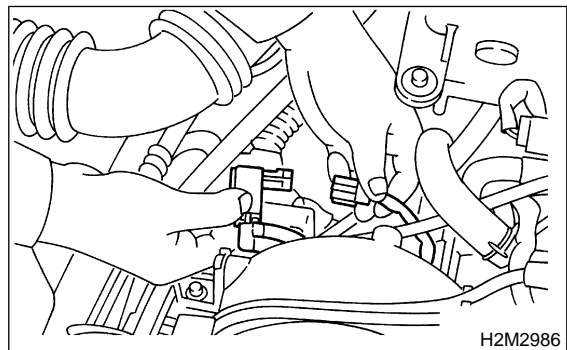


2) Remove bolt which installs purge control solenoid valve onto intake manifold.



3) Take out purge control solenoid valve through the bottom of the intake manifold.

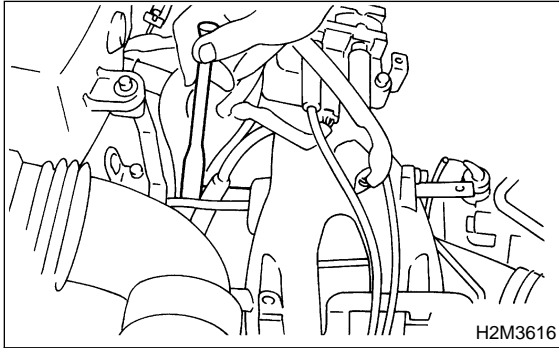
4) Disconnect connector and hoses from purge control solenoid valve.



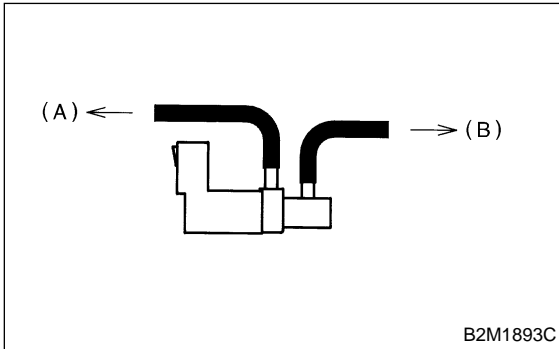
5) Install in the reverse order of removal.

Tightening torque:

16±1.5 N·m (1.6±0.15 kg·m, 11.6±1.1 ft·lb)



CAUTION:
Carefully connect the evaporation hoses.



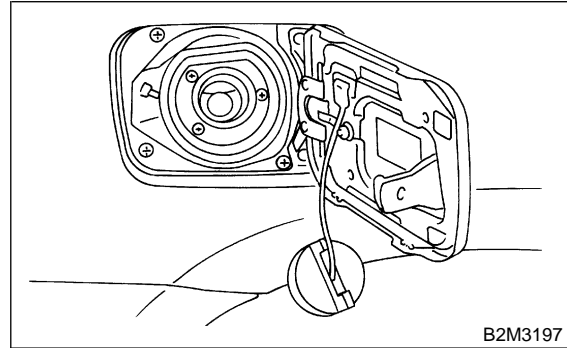
- (A) To fuel pipe
- (B) To intake manifold

16. Fuel Injector

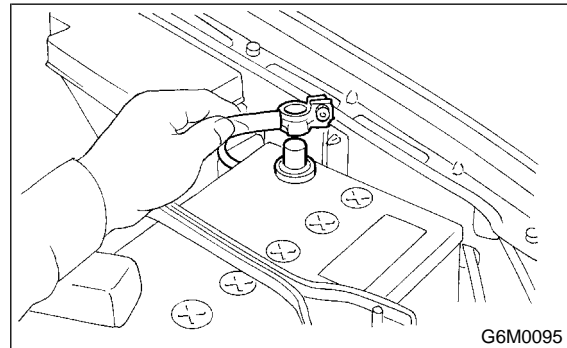
A: REMOVAL AND INSTALLATION

1. RH SIDE

- 1) Release fuel pressure.
<Ref. to 2-8 [W1A0].>
- 2) Open fuel flap lid, and remove fuel filler cap.



- 3) Disconnect battery ground cable.



- 4) Remove air intake duct and air cleaner assembly. <Ref. to 2-7 [W1A0].>

