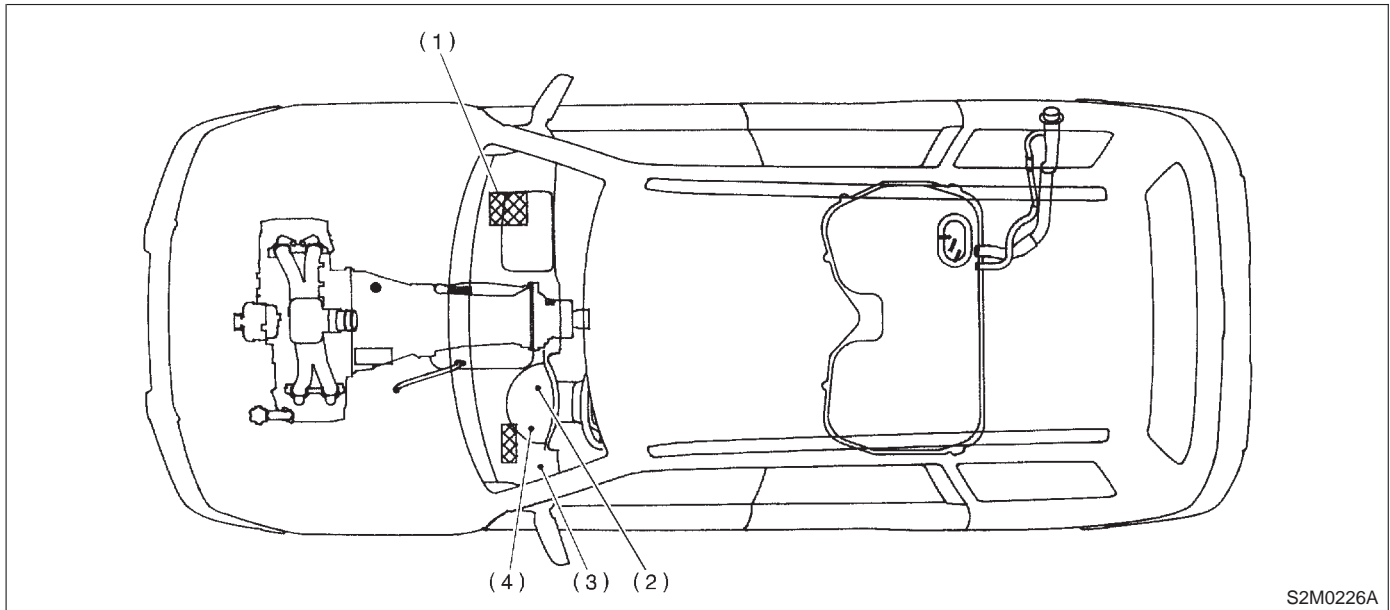


## 2. Electrical Components Location

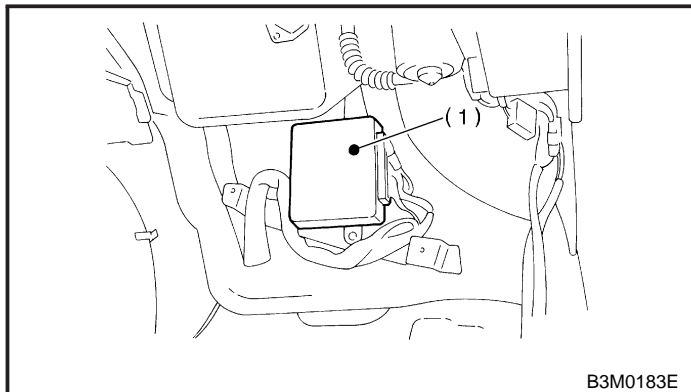
### A: ENGINE

#### 1. MODULE

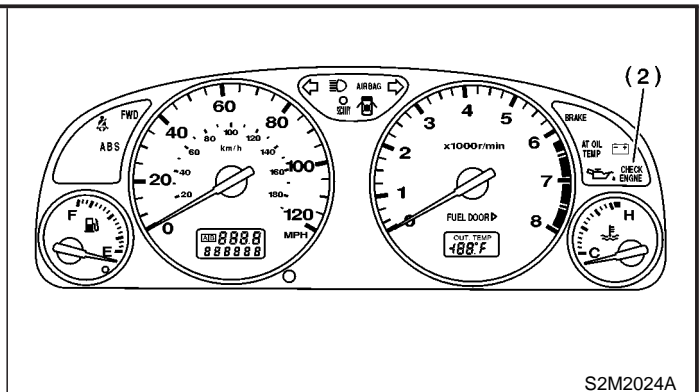


S2M0226A

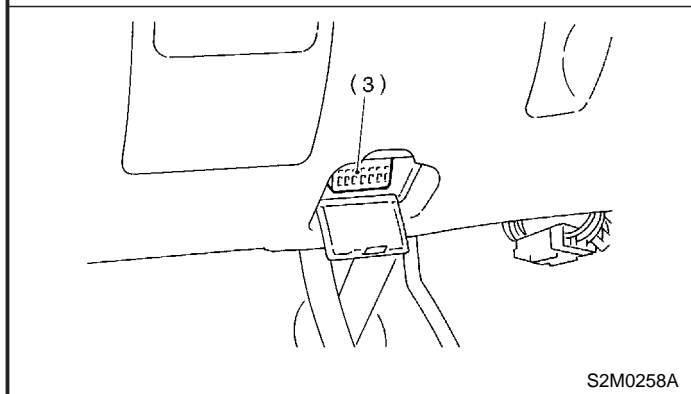
- (1) Engine control module (ECM)
- (2) CHECK ENGINE malfunction indicator lamp (MIL)
- (3) Data link connector
- (4) Test mode connector



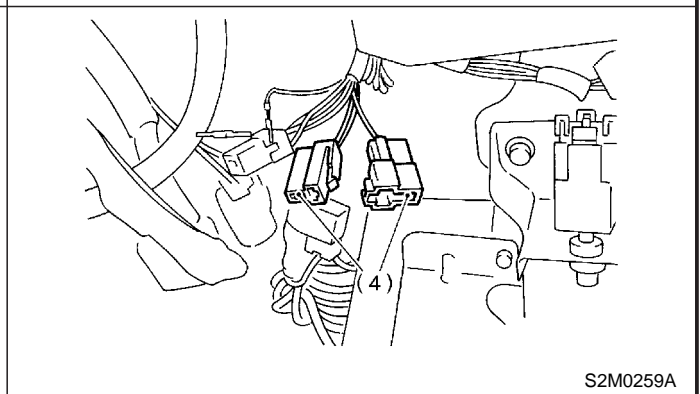
B3M0183E



S2M2024A

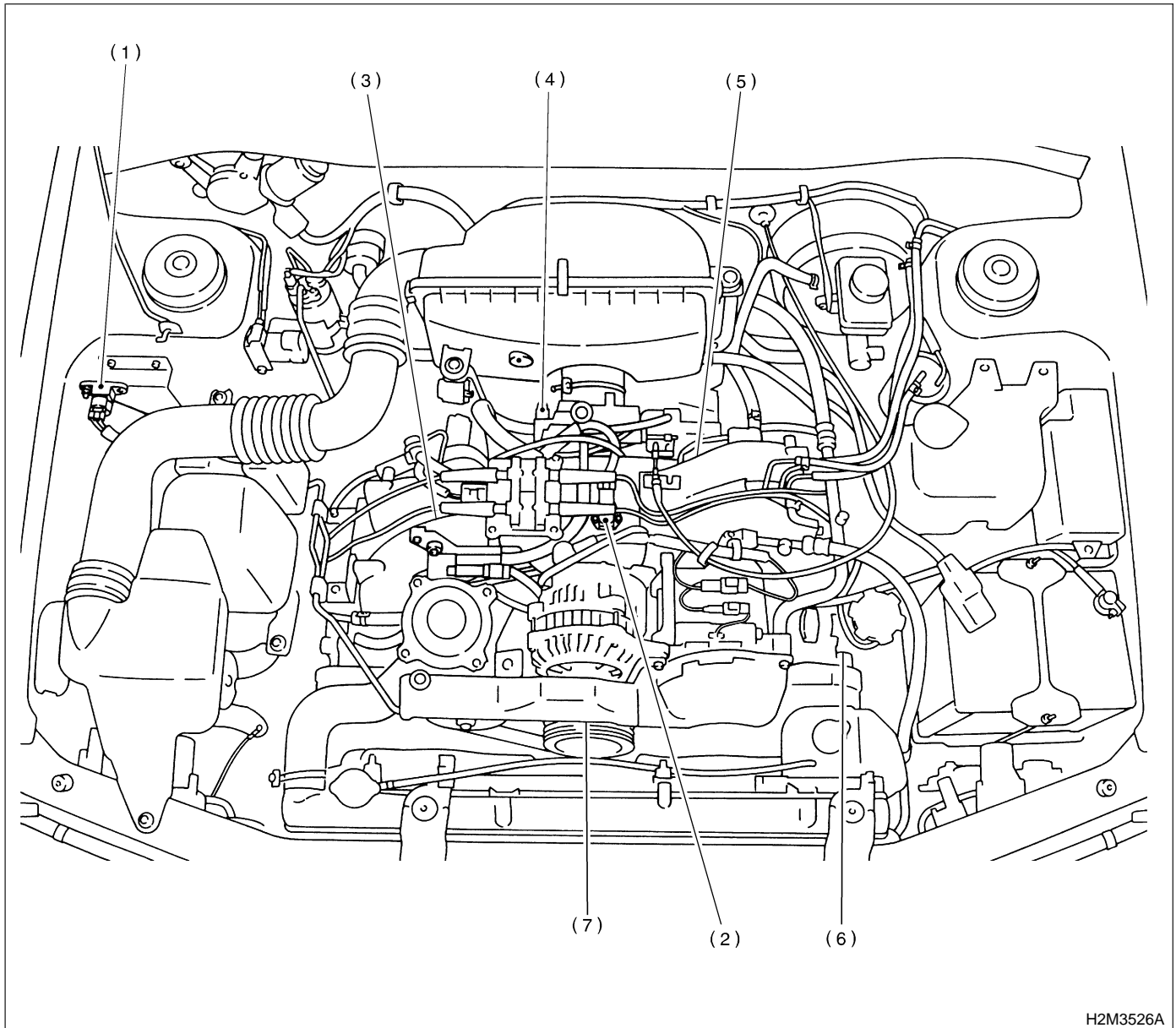


S2M0258A



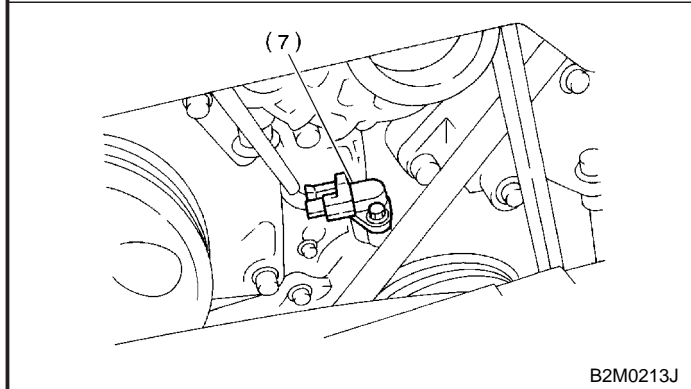
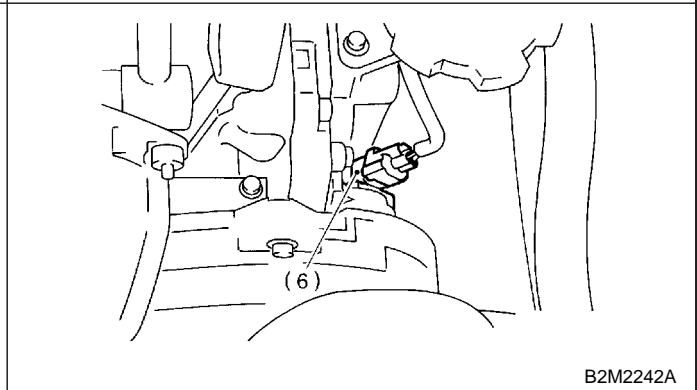
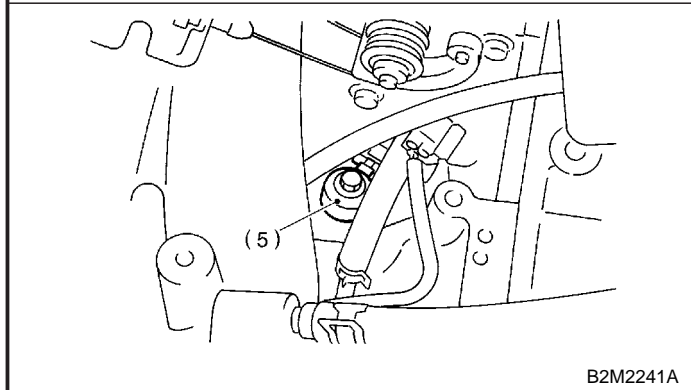
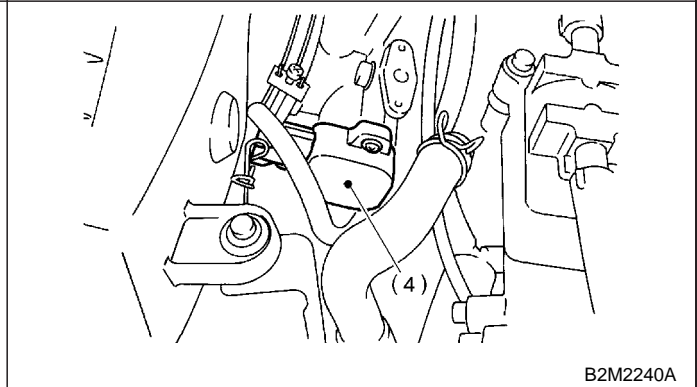
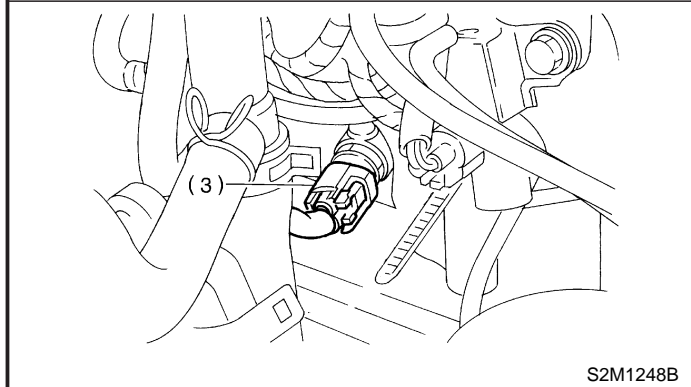
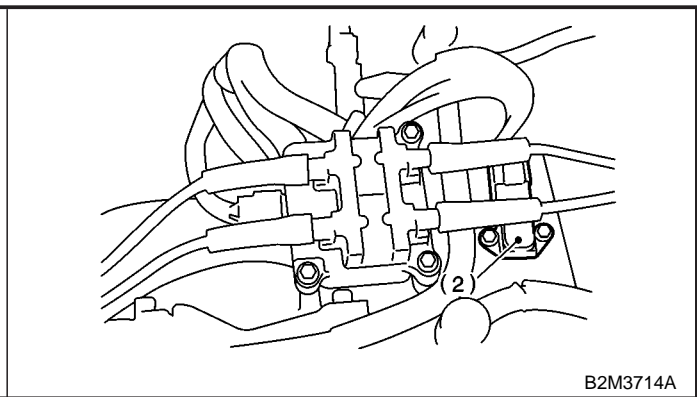
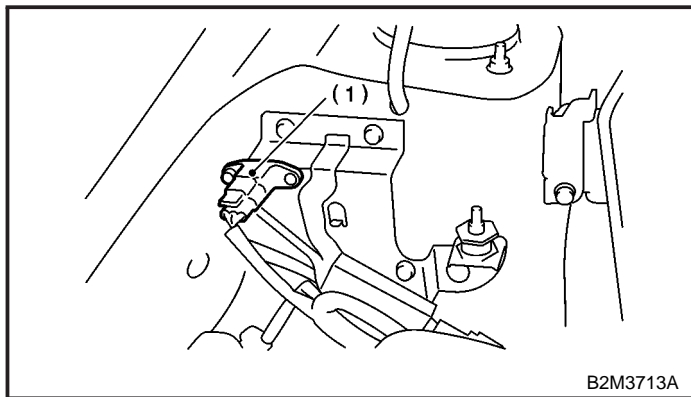
S2M0259A

2. SENSOR



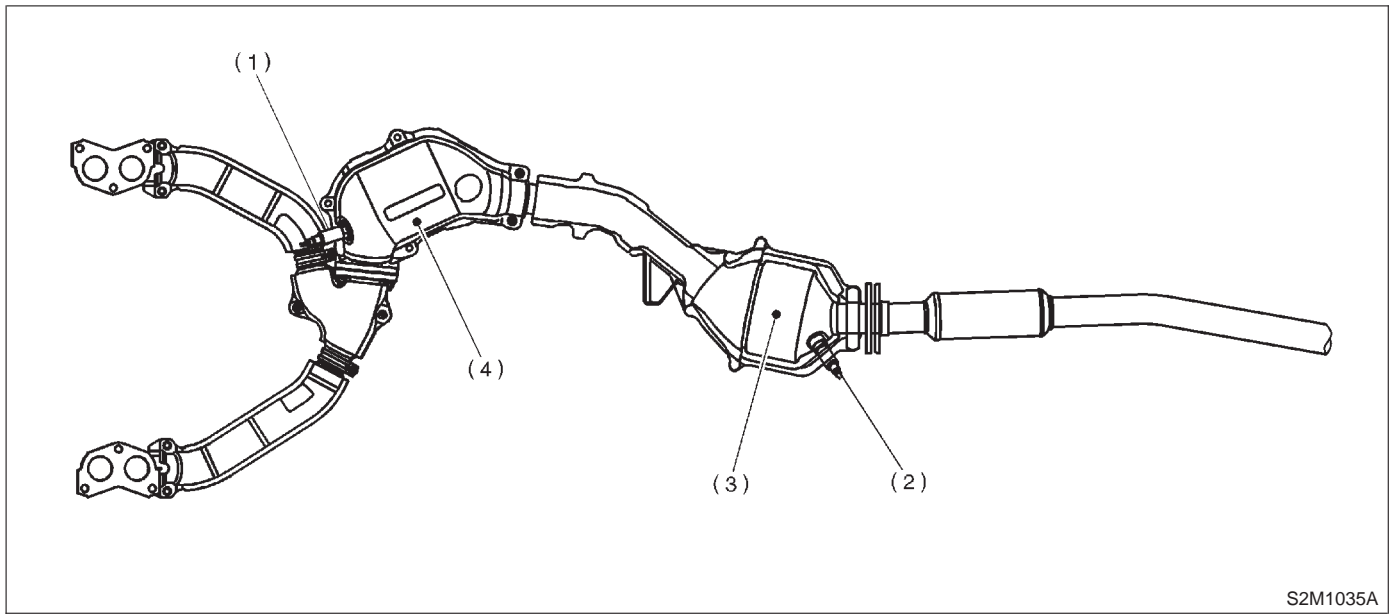
H2M3526A

- |  |                                       |                              |
|--|---------------------------------------|------------------------------|
| (1) Atmospheric pressure sensor                | (3) Engine coolant temperature sensor | (5) Knock sensor             |
| (2) Intake air temperature and pressure sensor | (4) Throttle position sensor          | (6) Camshaft position sensor |
|  | (7) Crankshaft position sensor        |                              |



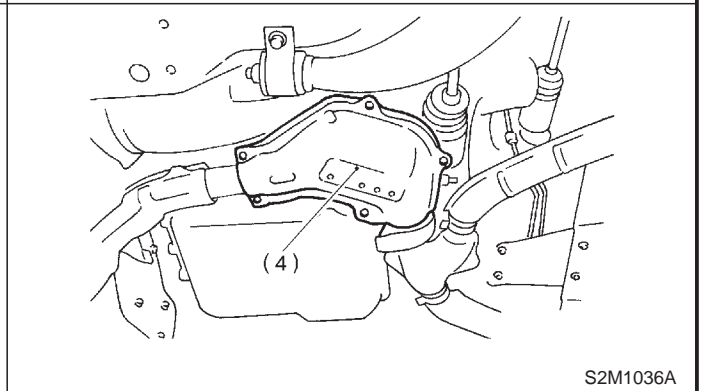
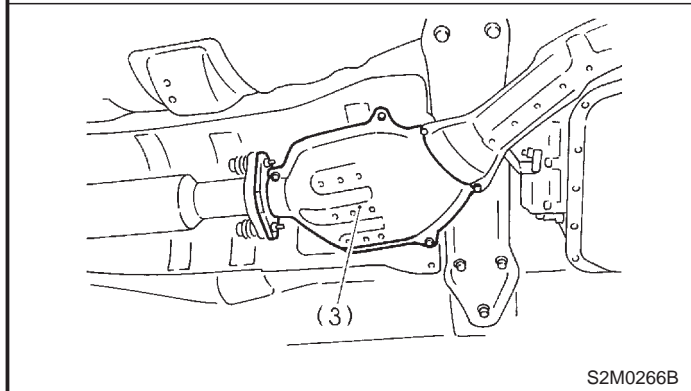
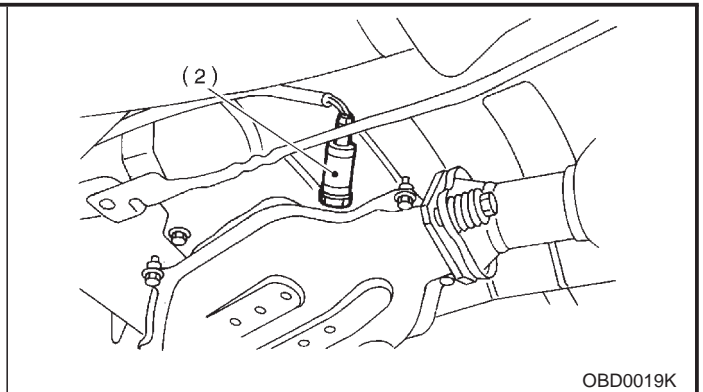
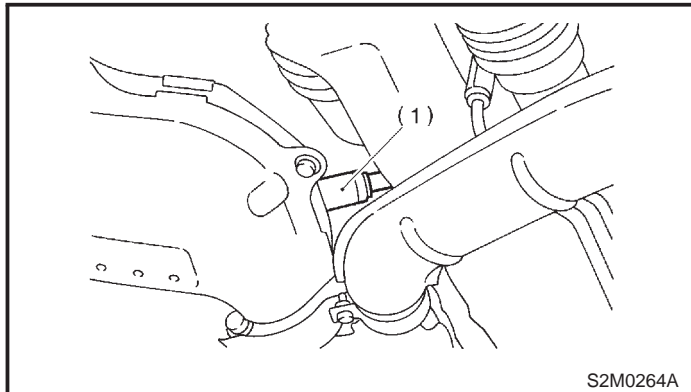
SUBARU.

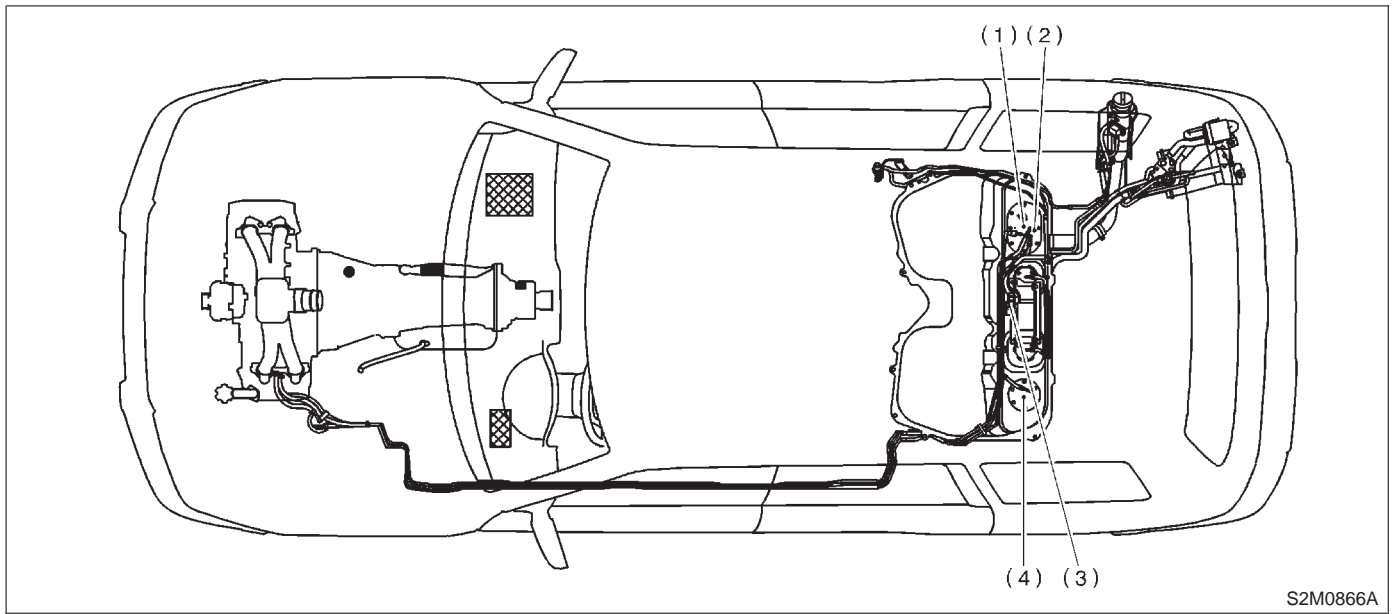
2. Electrical Components Location



- (1) Front oxygen (A/F) sensor
- (2) Rear oxygen sensor

- (3) Rear catalytic converter
- (4) Front catalytic converter

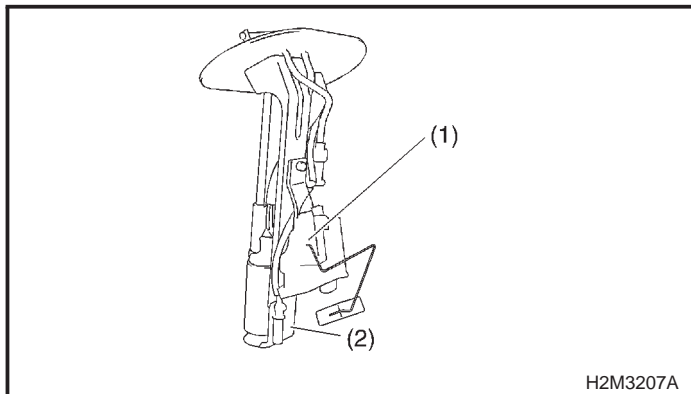




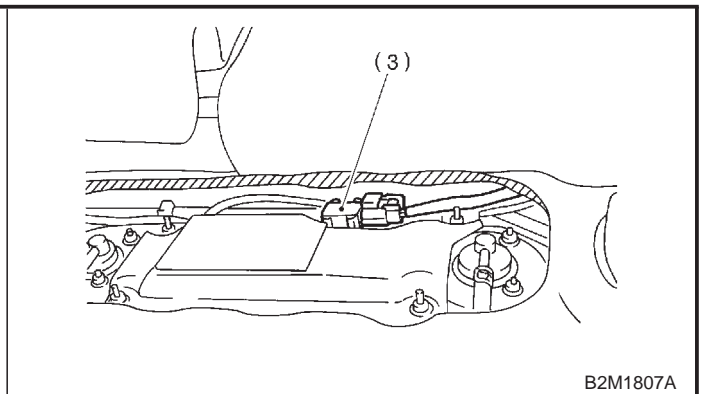
S2M0866A

- (1) Fuel level sensor (Main)
- (2) Fuel temperature sensor

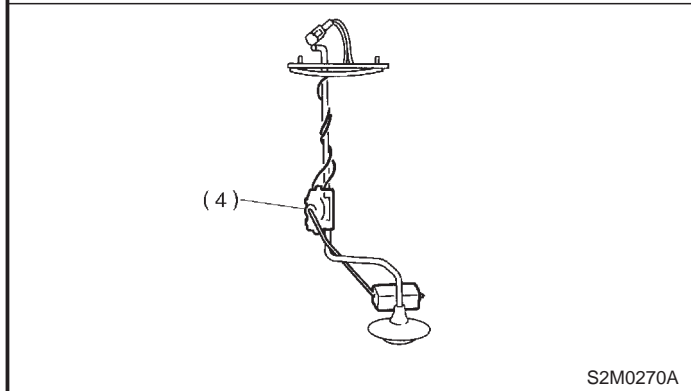
- (3) Fuel tank pressure sensor
- (4) Fuel level sensor (Sub)



H2M3207A



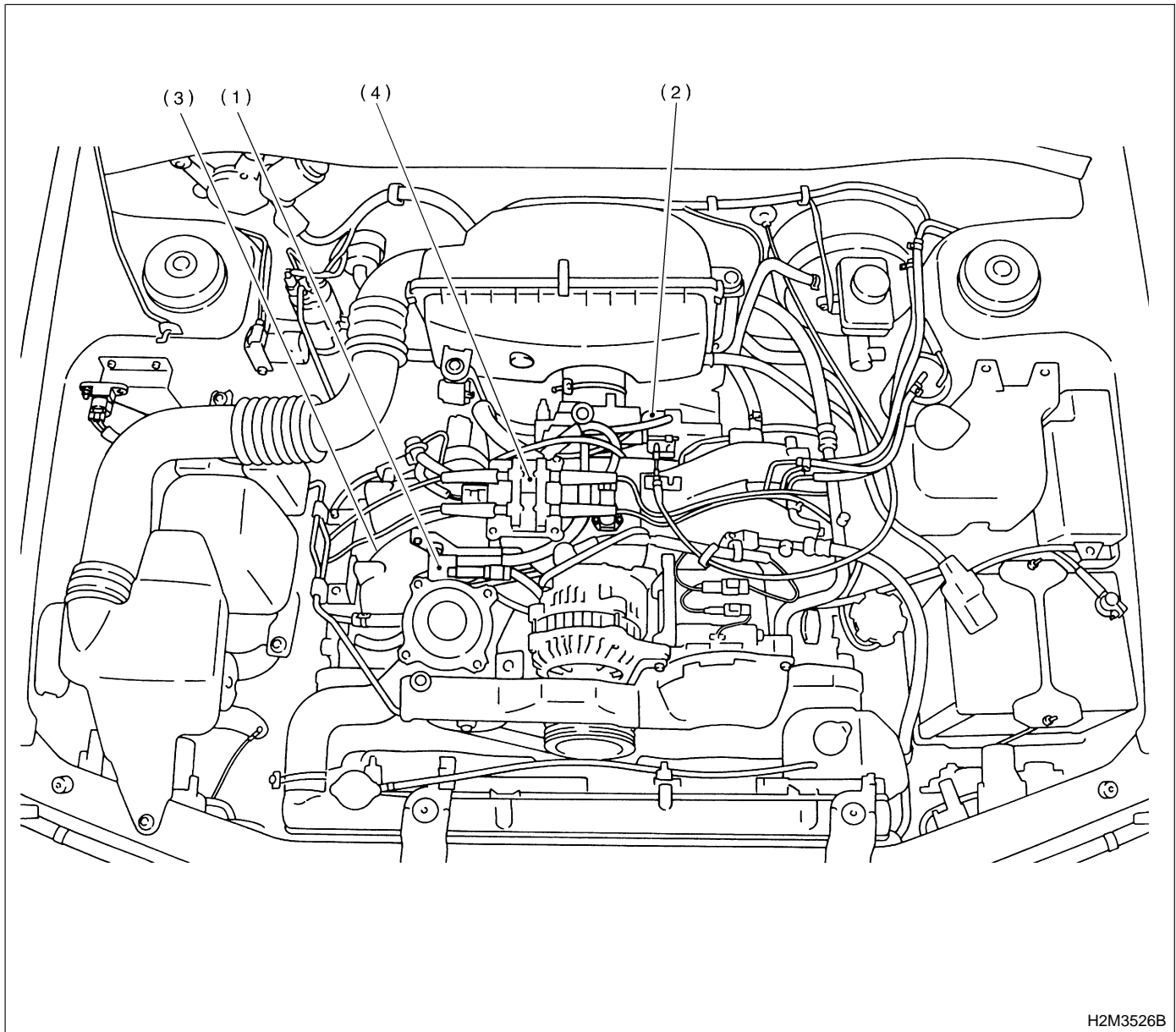
B2M1807A



S2M0270A

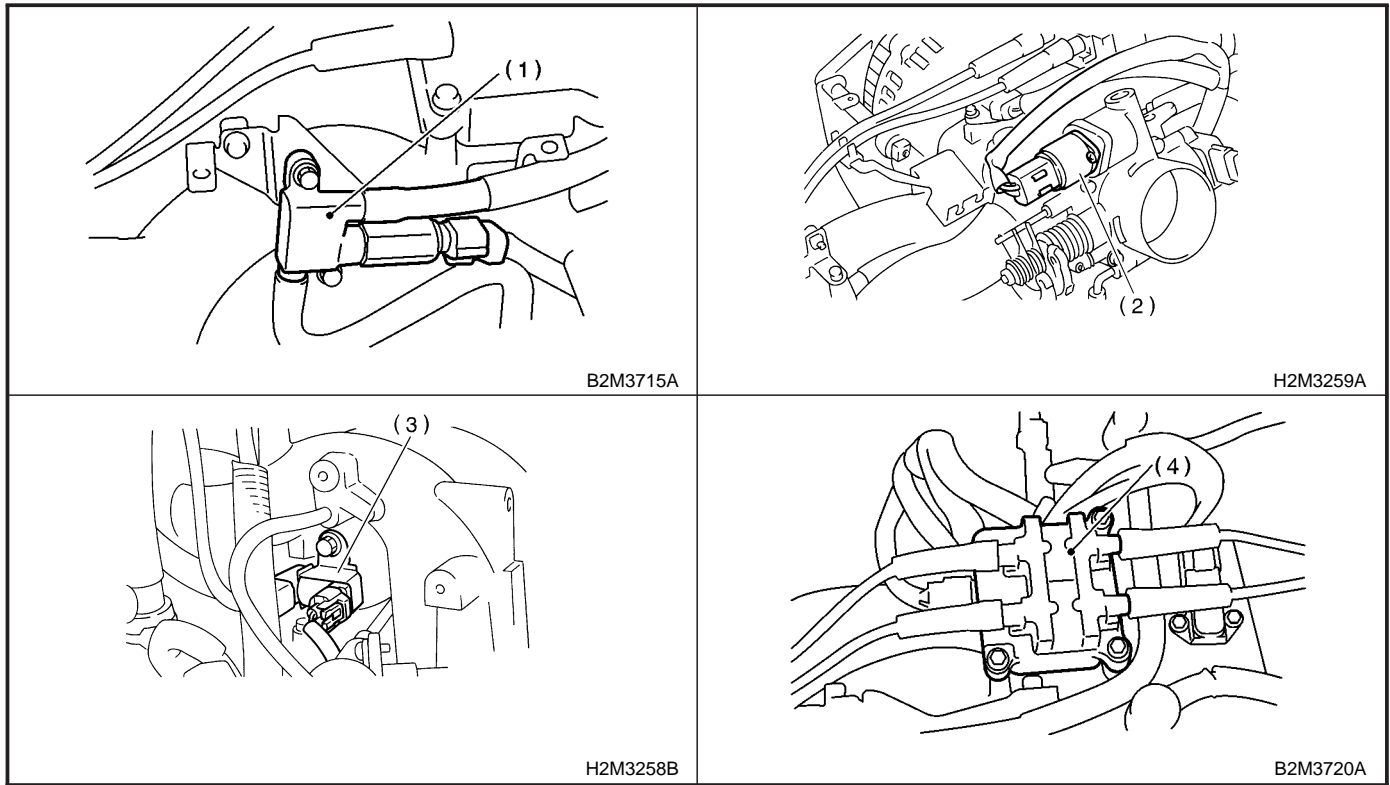
**SUBARU.**

3. SOLENOID VALVE, EMISSION CONTROL SYSTEM PARTS AND IGNITION SYSTEM PARTS

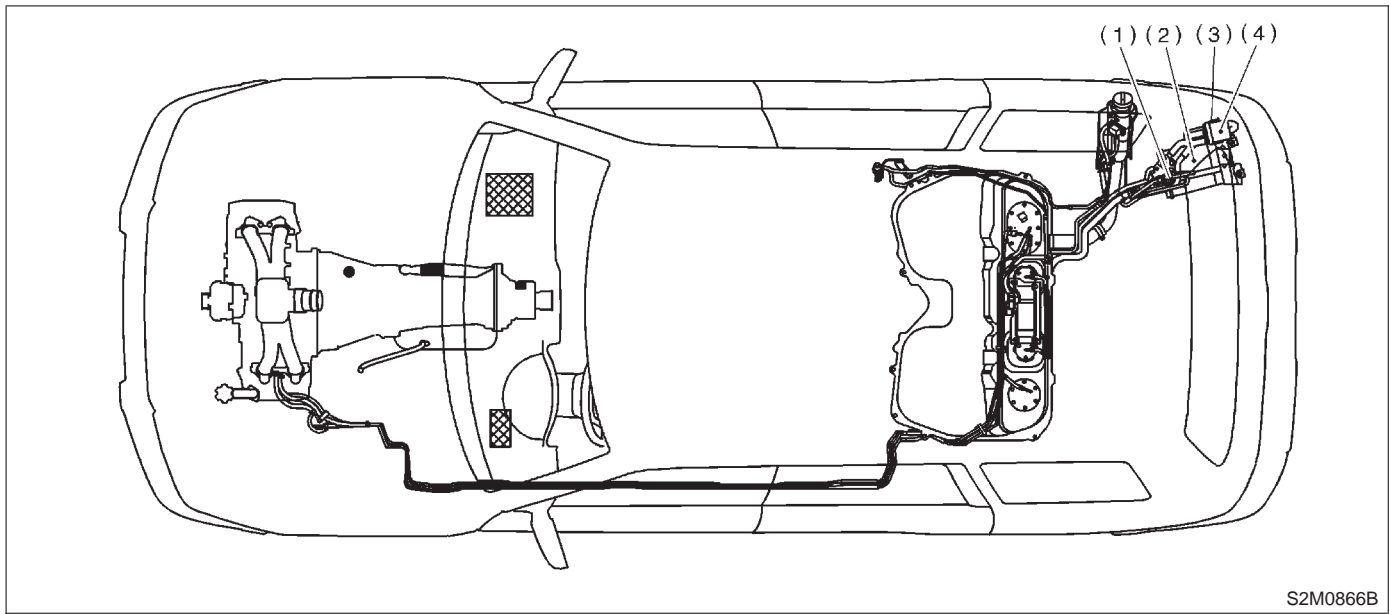


H2M3526B

- |  |                                  |
|--|----------------------------------|
| (1) Air assist injector solenoid valve | (3) Purge control solenoid valve |
| (2) Idle air control solenoid valve    | (4) Ignition coil & ignitor ASSY |

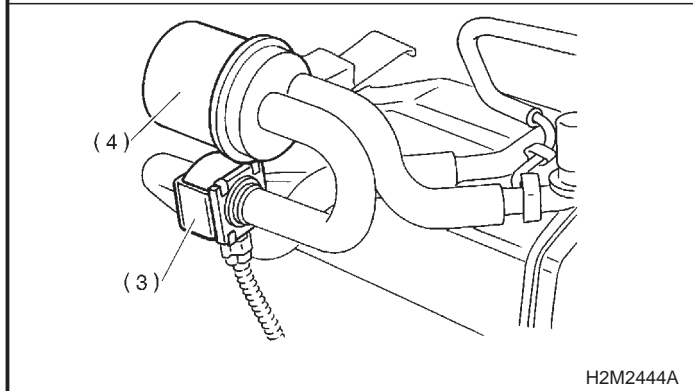
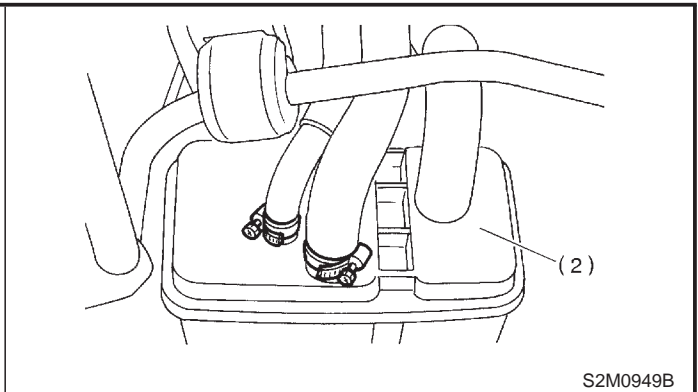
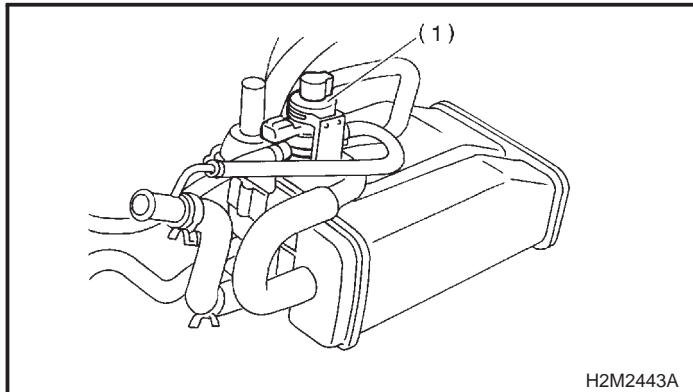


2. Electrical Components Location



- (1) Pressure control solenoid valve
- (2) Canister

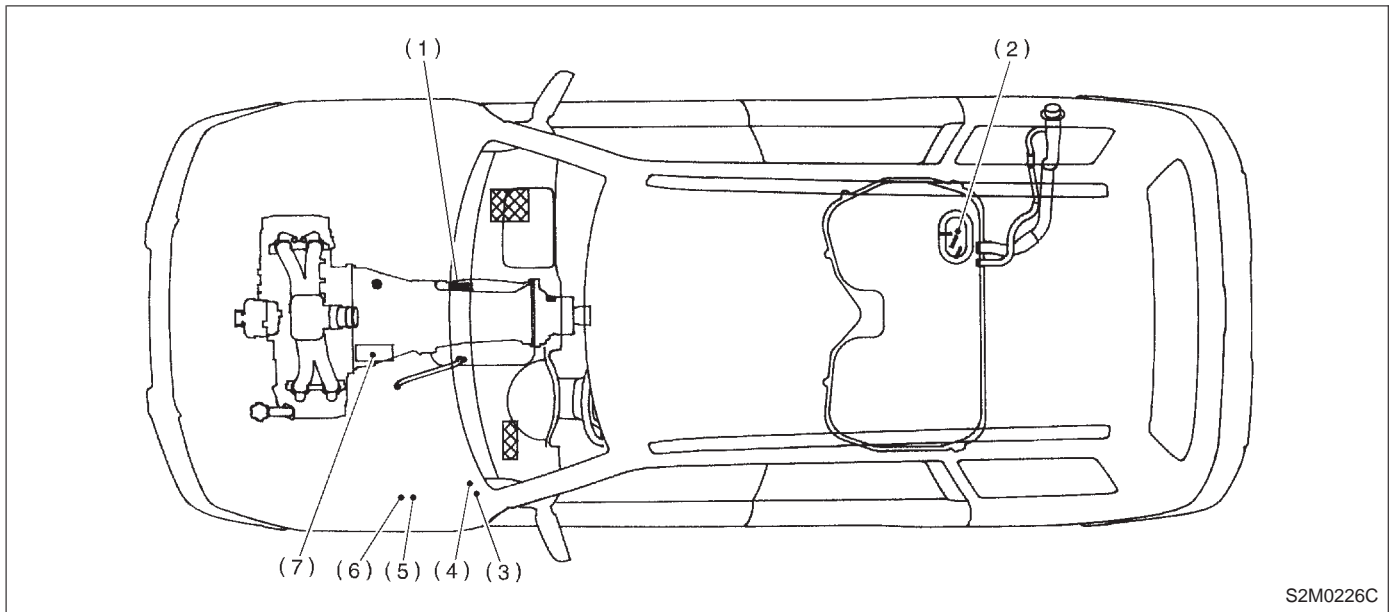
- (3) Drain valve
- (4) Air filter





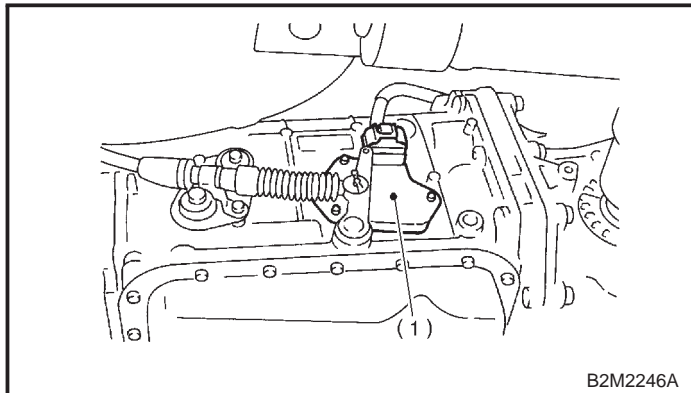
MEMO:

2. Electrical Components Location

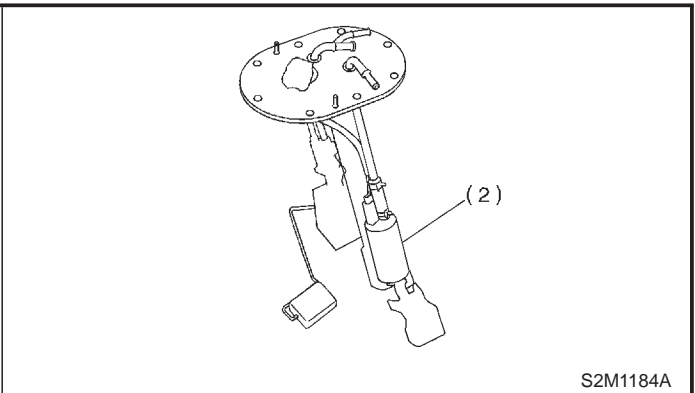


S2M0226C

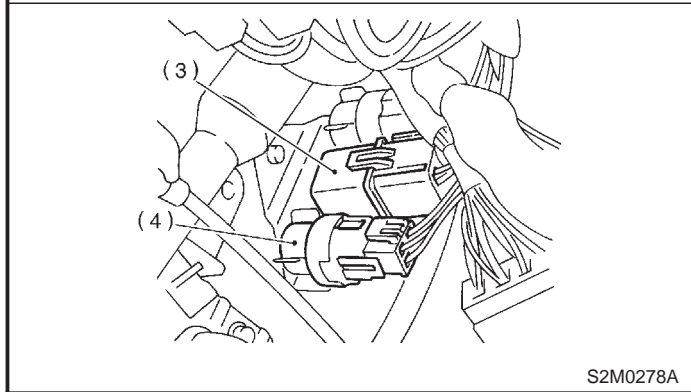
- (1) Inhibitor switch
- (2) Fuel pump
- (3) Main relay
- (4) Fuel pump relay
- (5) Radiator cooling main fan relay
- (6) Radiator cooling sub fan relay
- (7) Starter



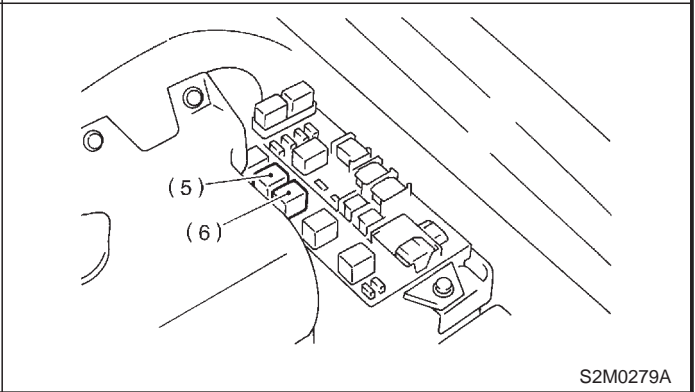
B2M2246A



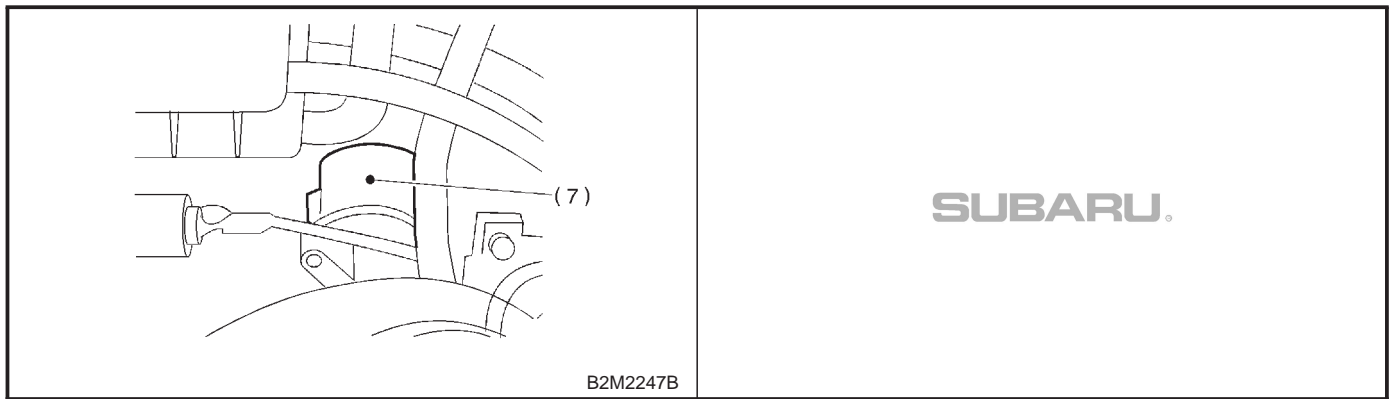
S2M1184A



S2M0278A

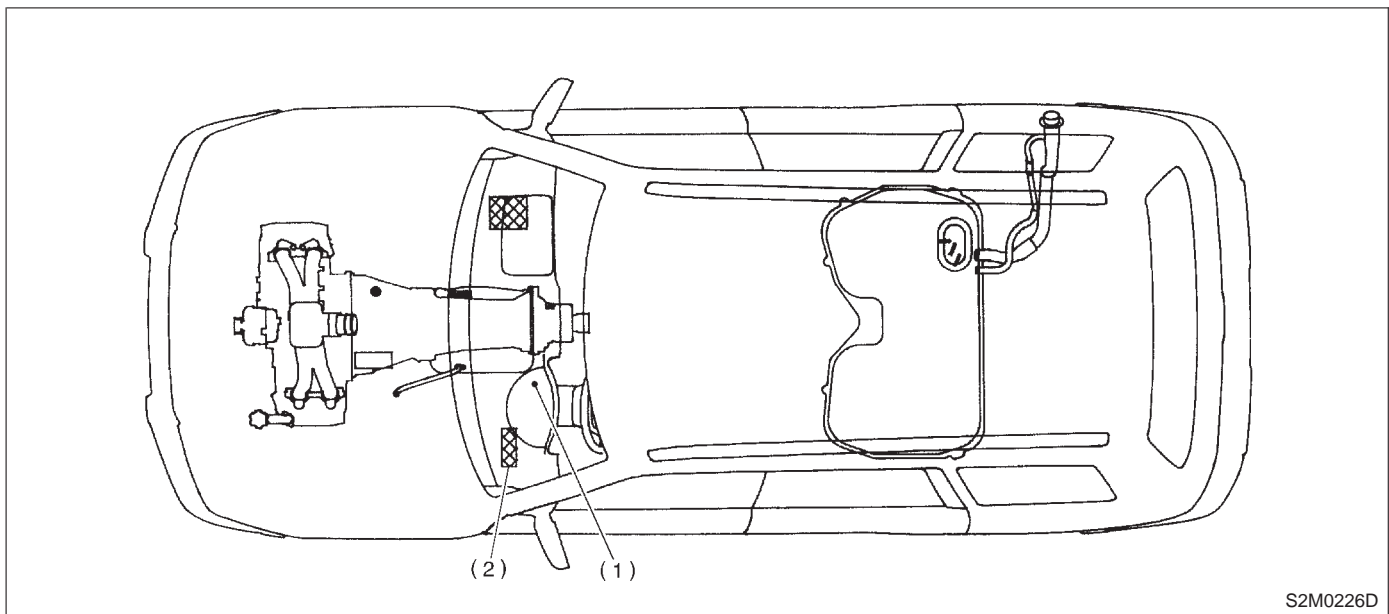


S2M0279A



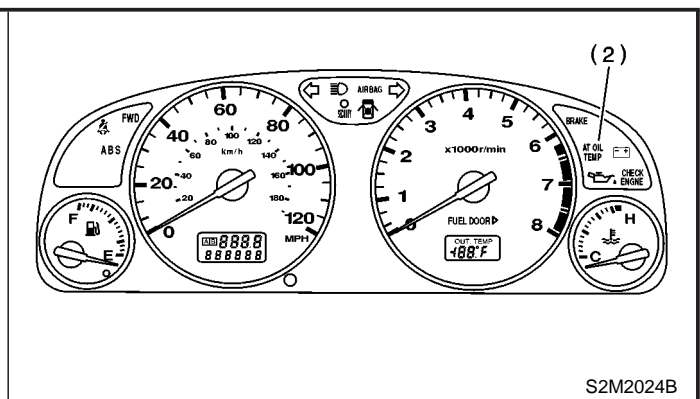
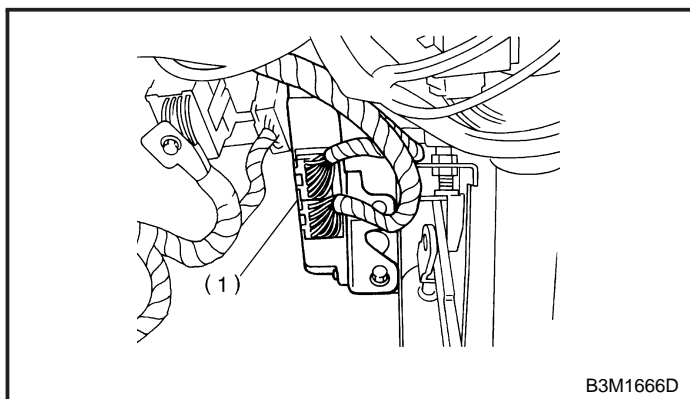
**B: TRANSMISSION**

**1. MODULE**

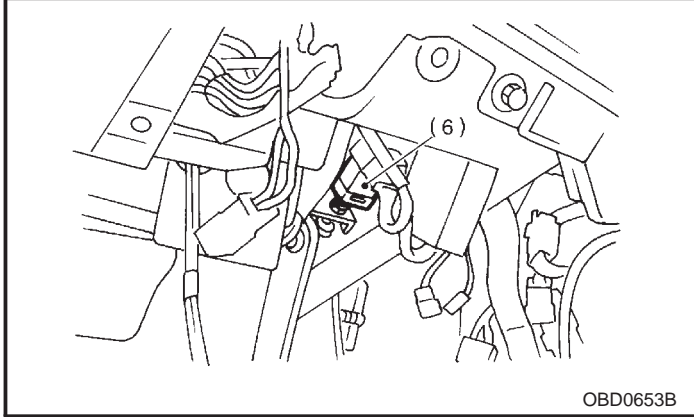
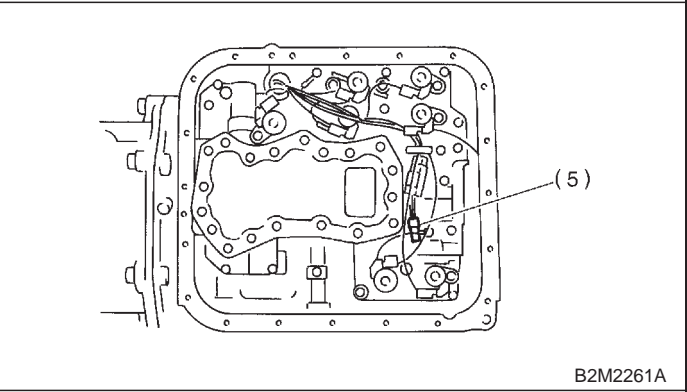
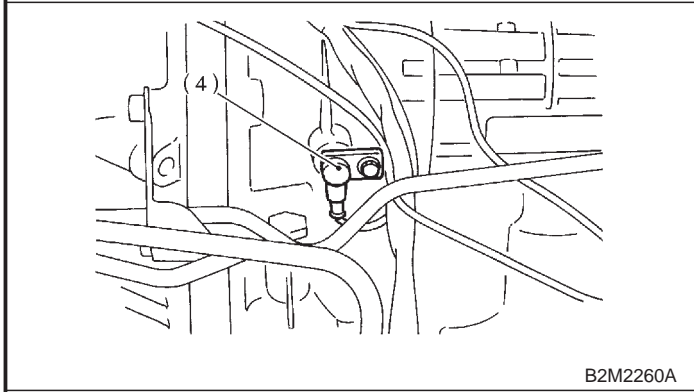
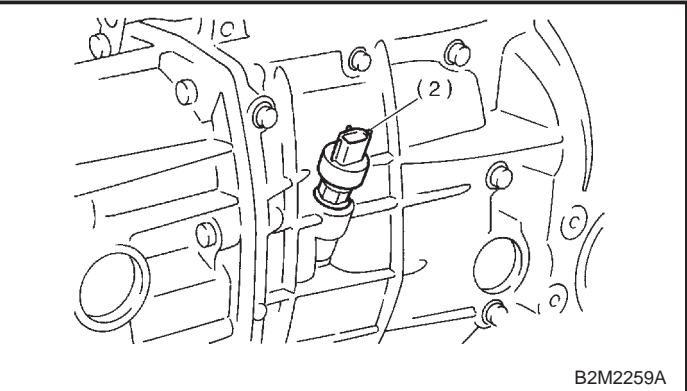
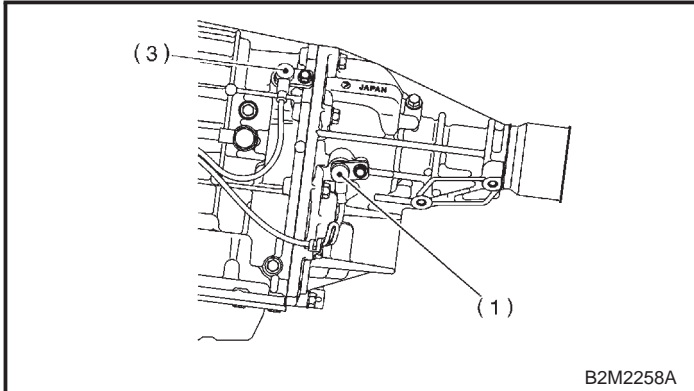


(1) Transmission Control Module (TCM) (for AT vehicles)

(2) AT diagnostic indicator light (for AT vehicles)



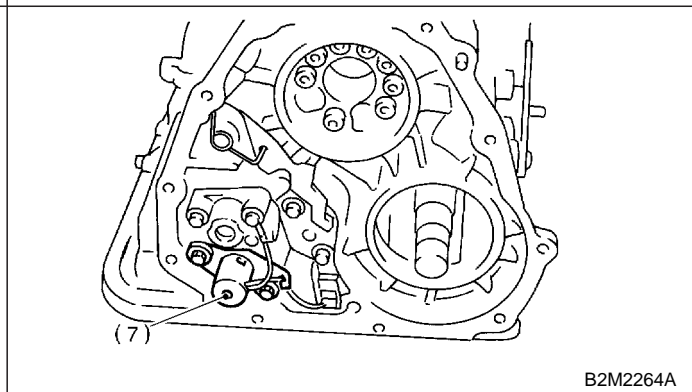
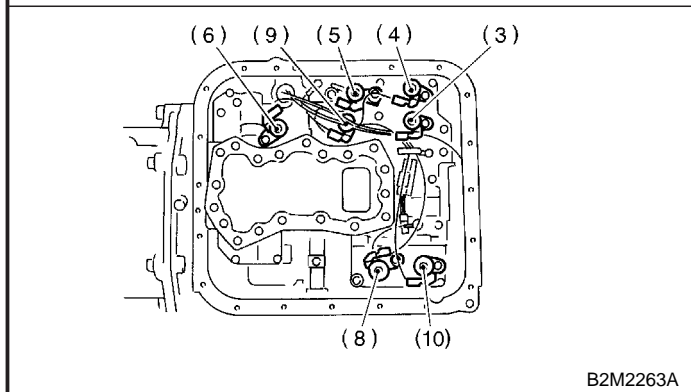
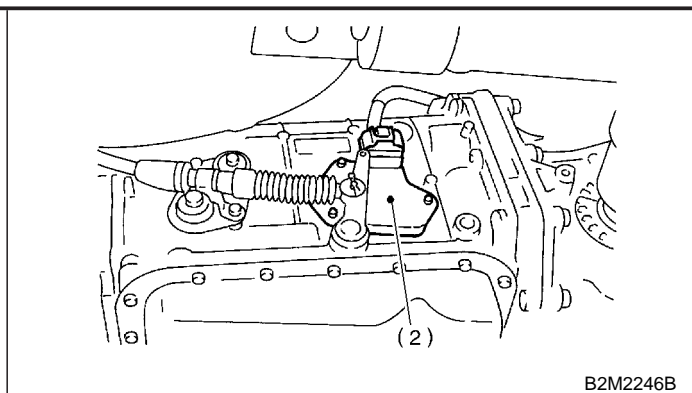
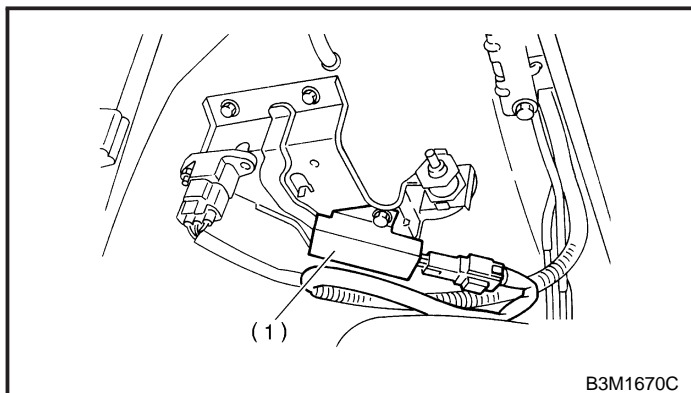
2. SENSOR



- (1) Vehicle speed sensor 1 (for AT vehicles)
- (2) Vehicle speed sensor 2 (for MT vehicles)
- (3) Vehicle speed sensor 2 (for AT vehicles)
- (4) Torque converter turbine speed sensor
- (5) ATF temperature sensor (for AT vehicles)
- (6) Brake light switch

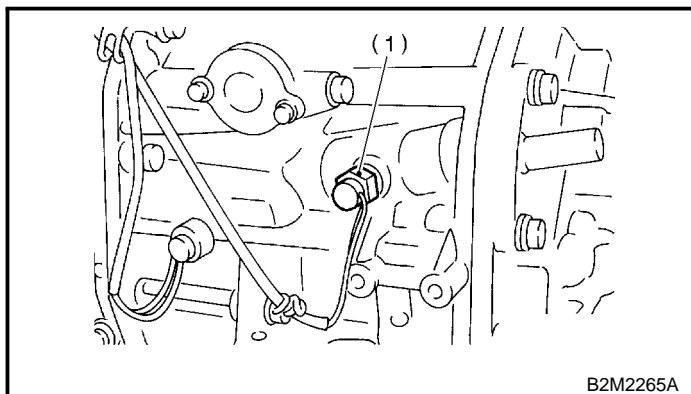
3. SOLENOID VALVE AND RELAY

● For AT vehicles



- (1) Dropping resistor
- (2) Inhibitor switch
- (3) Shift solenoid valve 1
- (4) Shift solenoid valve 2
- (5) Line pressure duty solenoid
- (6) Lock up duty solenoid
- (7) Transfer duty solenoid
- (8) 2-4 brake duty solenoid
- (9) Low clutch timing solenoid valve
- (10) 2-4 brake timing solenoid valve

● For MT vehicles



- (1) Neutral position switch