

FOREWORD

FOREWORD [G200]

2. How to Use This Manual

● This Service Manual is divided into six volumes by section so that it can be used with ease at work. Refer to the Table of Contents, select and use the necessary section.

- GENERAL INFORMATION SECTION
- ENGINE SECTION
- TRANSMISSION AND DIFFERENTIAL SECTION
- MECHANICAL COMPONENTS SECTION
- BODY AND ELECTRICAL SECTION
- WIRING DIAGRAM SECTION

● Each chapter in the manual is basically made of the following six types of areas.

- S: Specifications and service data
- C: Component parts
- W: Service procedure
(X: Service procedure)
(Y: Service procedure)
- K: Diagnostics (Mechanical)
- T: Diagnostics (Electrical)
- D: Wiring diagram

● The description of each area is provided with four types of titles different in size as shown below. The Title No. or Symbol prefixes each title in order that the construction of the article and the flow of explanation can be easily understood.

[Example of each title]

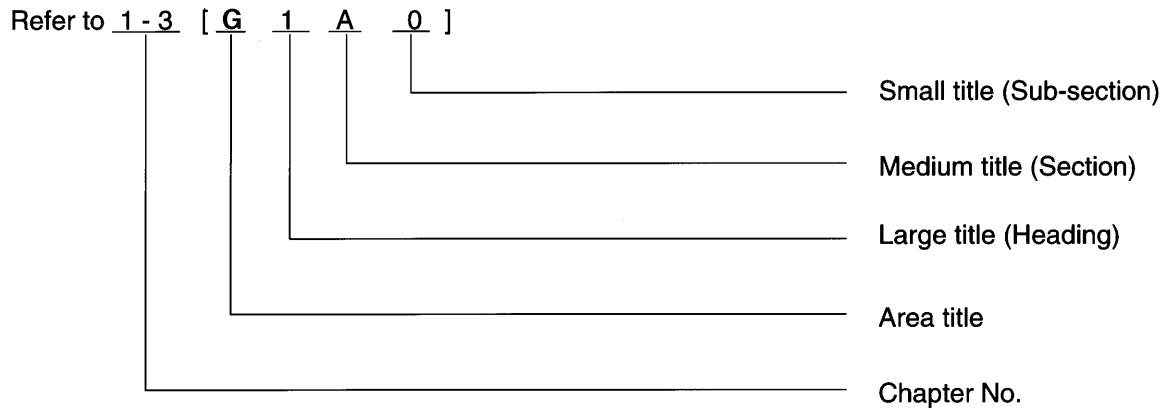
● Area title:	W. Service procedure (one of the four types of areas)
● Large title (Heading):	1. Oil Pump (to denote the main item of explanation)
● Medium title (Section):	A. REMOVAL (to denote the type of work in principle)
● Small title (Sub-section):	1. INNER ROTATOR (to denote a derivative item of explanation)

FOREWORD

FOREWORD [G200]

- The Title Index No. is indicated on the top left (or right) side of the page as the book is opened. This is useful for retrieving the necessary portion.

(Example of usage)



Example of title placement

1-3 [G1A0] **GENERAL INFORMATION**

1. General Precautions

1. General Precautions

A: BEFORE STARTING SERVICE

1) Be sure to perform the jobs listed in the Periodic Maintenance Schedule.
 2) When a vehicle is brought in for maintenance, carefully listen to the owner's explanations of the symptoms exhibited by the vehicle. List the problems in your notebook, and refer to them when trying to diagnose the trouble.
 3) All jewelry should be removed. Suitable work clothes should be worn.
 4) Be sure to wear goggles.
 5) Use fender, floor and seat covers to prevent the vehicle from being scratched or damaged.
 6) Never smoke while working.
 7) Before removing underfloor bolts (including the rear differential filler plug) coated with bituminous wax, remove old wax. Re-coat with new wax after reinstallation.

B: WHILE WORKING

1) When...

the order that they were disassembled.
 11) When removing a wiring connector, do not pull the wire but pull the connector itself.
 12) When removing a hose or tube, remove the clip first. Then, pull the hose or tube while holding its end fitting.
 13) Replace gaskets, O-rings, snap rings, lock washers, etc. with new ones.
 14) When tightening a bolt or nut, tighten it to the specified torque.
 15) When performing work requiring special tools, be sure to use the designated ones.
 16) After completing work, make certain that the hoses, tubes and wiring harnesses are securely connected.
 17) After completing work, be sure to wash the vehicle.

C: TREATMENT FOR USED ENGINE OIL

1. ENGINE OILS

Prolonged and repeated contact with mineral oil will result in the removal of natural fats from skin, leading to dryness, irritation...


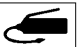
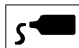
Large title
 Medium title
 Small title

S0H0005

FOREWORD

FOREWORD [G200]

- In this manual, the following symbols are used.

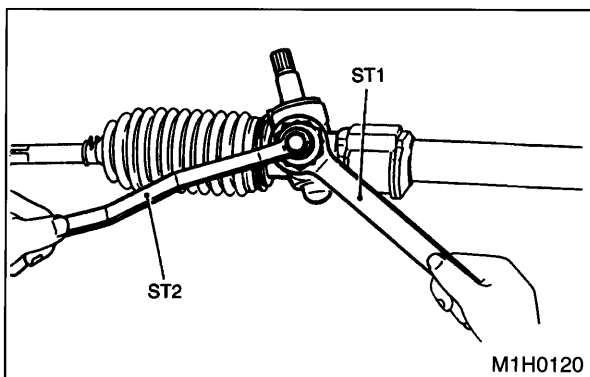
Symbol	Description
* H0H0002	Selective part
★ H0H0003	Replacement part
 H0H0004	Should be lubricated with oil.
 H0H0005	Should be lubricated with grease.
 H0H0006	Sealing point
T H0H0007	Tightening torque

- WARNING, CAUTION, NOTE**

- WARNING:** Indicates the item which must be observed precisely during performance of maintenance services in order to avoid injury to the mechanics and other persons.
 - CAUTION:** Indicates the item which must be followed precisely during performance of maintenance services so as to avoid damage and breakage to the vehicle and its parts and components.
 - NOTE:** Indicates the hints, knacks, etc. which make the maintenance job easier.

- SPECIAL TOOLS**

When any special tool is required to perform the job, it is identified by "ST" in the applicable illustration and its part number is shown in the manual.



1. Procedures for adjusting backlash

- Set steering wheel to the straight-ahead position.
- Remove the exhaust pipe.
- Loosen the lock nut with ST.

{	ST1 921650000	STEERING GEARBOX WRENCH
	ST2 921550000	STEERING GEARBOX WRENCH

Description
(of job method)

Shows the part name

Shows the part number

Tells that two kinds of special tools are required. When two or more kinds of special tools are required to do a job, they are identified by ST1, ST2, respectively.

H0H0008