

## 1-5 [G3A0] PERIODIC MAINTENANCE SERVICES

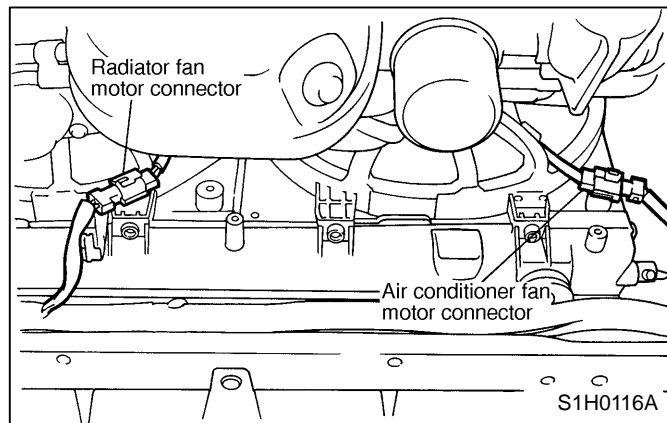
### 3. Camshaft Drive Belt (Timing Belt)

### 3. Camshaft Drive Belt (Timing Belt)

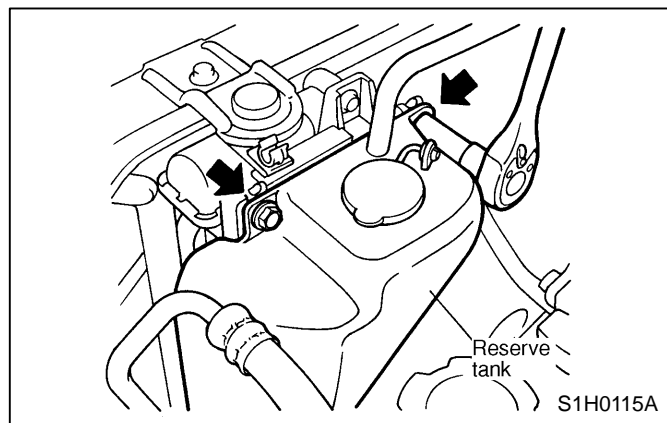
		MAINTENANCE INTERVAL																
		[Number of months or km (miles), whichever occurs first]																
Months		3	7.5	15	22.5	30	37.5	45	52.5	60	67.5	75	82.5	90	97.5	105	112.5	120
× 1,000 km		4.8	12	24	36	48	60	72	84	96	108	120	132	144	156	168	180	192
× 1,000 miles		3	7.5	15	22.5	30	37.5	45	52.5	60	67.5	75	82.5	90	97.5	105	112.5	120
						I				I				I		R		

#### A: REPLACEMENT

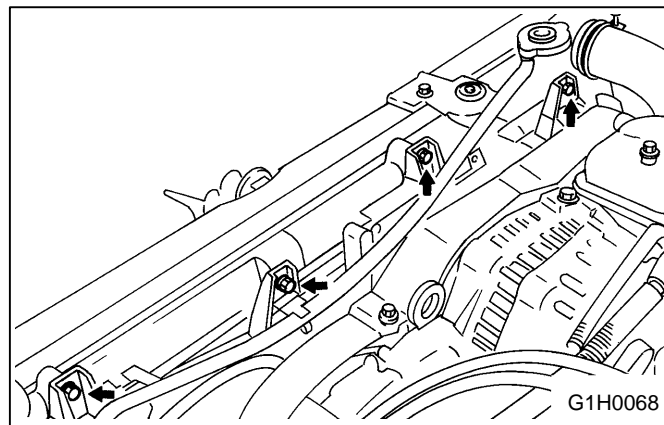
- 1) Disconnect ground cable (-) from battery.
- 2) Remove undercover.
- 3) Remove radiator fan motor connector and air conditioner fan motor connector.



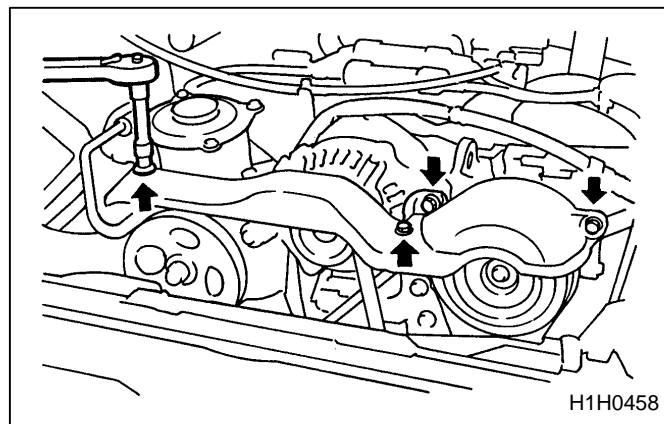
- 4) Remove reserve tank.



- 5) Remove the four bolts from the upper side of the shroud.



- 6) Remove radiator fan and air conditioner fan.
- 7) Remove V-belt cover.

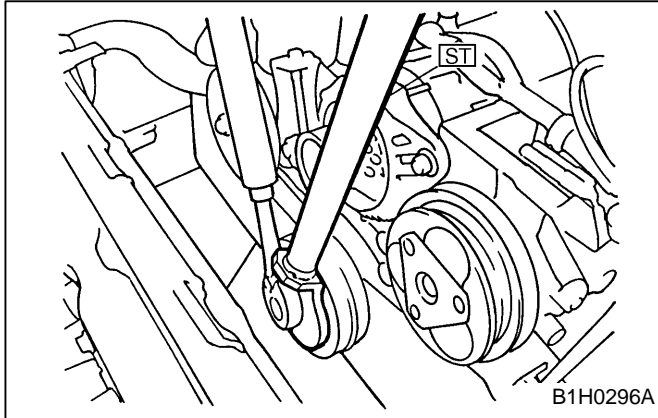


- 8) Remove V-belts. <Ref. to 1-5 [G2B1].>

**PERIODIC MAINTENANCE SERVICES****[G3B0] 1-5****3. Camshaft Drive Belt (Timing Belt)**

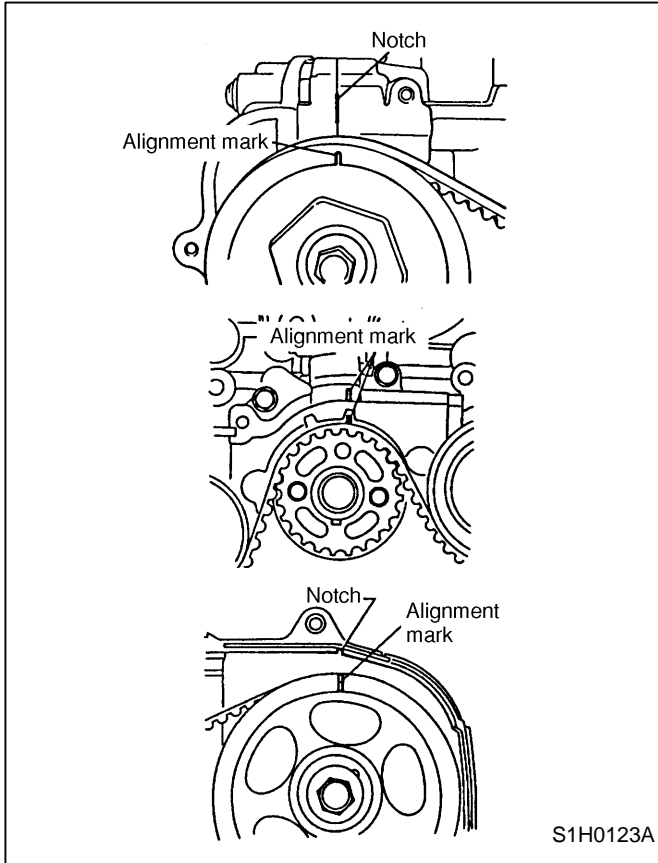
9) Remove pulley bolt. To lock crankshaft use  
ST.

ST 499977300 CRANKSHAFT  
PULLEY WRENCH

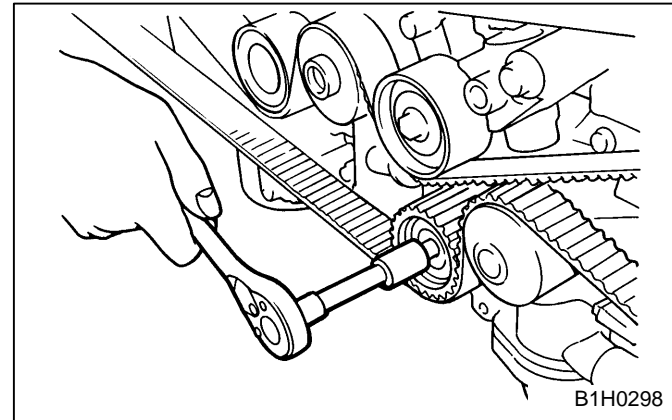


10) Remove crankshaft pulley.  
11) Remove left side belt cover.  
12) Remove front belt cover.  
13) Turn crankshaft and align alignment marks  
on crankshaft, and left and right camshaft  
sprockets with notches of belt cover and cylinder  
block.

ST 499987500 CRANKSHAFT SOCKET

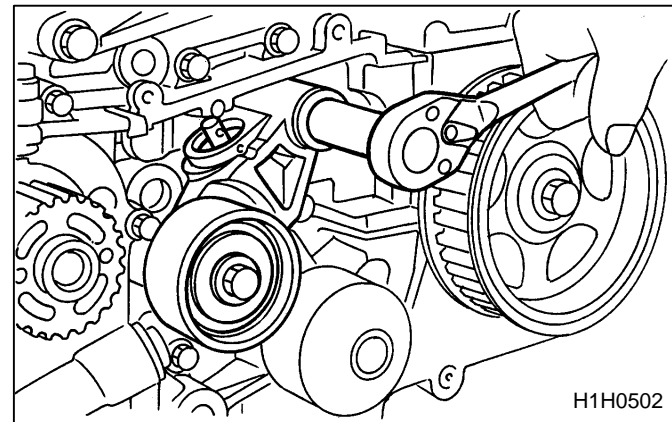


14) Remove belt idler No. 2.



15) Remove timing belt.

16) Remove automatic belt tension adjuster  
assembly.

**B: INSTALLATION**

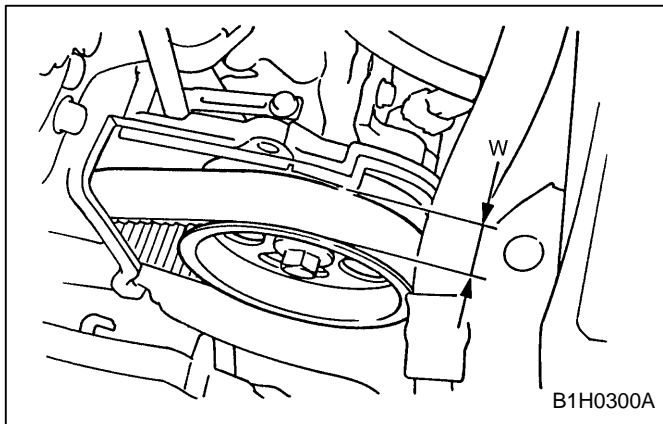
To install, reverse order of removal procedures.  
<Ref. to 2-3 [W2C0].>

**1-5 [G3C0] PERIODIC MAINTENANCE SERVICES****3. Camshaft Drive Belt (Timing Belt)**

---

**C: INSPECTION**

- 1) Remove reservoir tank.
- 2) Remove left timing belt covers.
- 3) While cranking engine at least four rotations, check timing belt back surface for cracks or damage. Replace faulty timing belt as needed.
- 4) Measure timing belt width W. If it is less than 27 mm (1.06 in), check idlers, tensioner, water pump pulley and cam sprocket to determine idler alignment (squareness). Replace worn timing belt.



- 5) Install left timing belt covers.