

PERIODIC MAINTENANCE SERVICES

[G10A1] 1-5

10. Transmission/Differential (Front and rear) Lubricants (Gear oil)

10. Transmission/Differential (Front and rear) Lubricants (Gear oil)

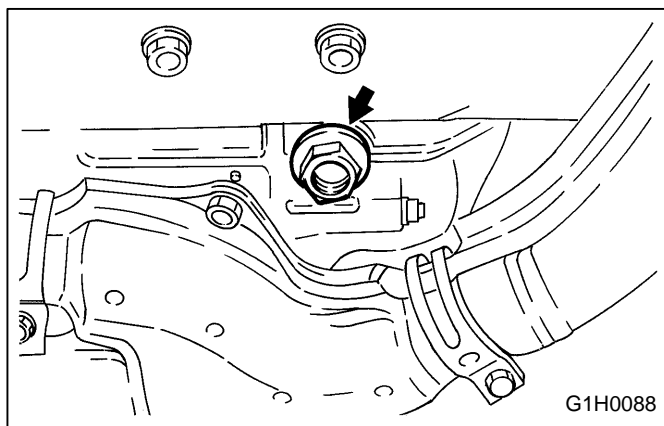
MAINTENANCE INTERVAL																	
[Number of months or km (miles), whichever occurs first]																	
Months	3	7.5	15	22.5	30	37.5	45	52.5	60	67.5	75	82.5	90	97.5	105	112.5	120
× 1,000 km	4.8	12	24	36	48	60	72	84	96	108	120	132	144	156	168	180	192
× 1,000 miles	3	7.5	15	22.5	30	37.5	45	52.5	60	67.5	75	82.5	90	97.5	105	112.5	120
					I				I				I				I

A: REPLACEMENT

1. MANUAL TRANSMISSION

1) Drain gear oil by removing drain plug after allowing the engine to cool for 3 to 4 hours.

CAUTION:
Before starting work, cool off the engine well.



2) Reinstall drain plug after draining gear oil and tighten it to the specified torque.

Tightening torque:
 $44 \pm 3 \text{ N}\cdot\text{m}$ ($4.5 \pm 0.3 \text{ kg}\cdot\text{m}$, $32.5 \pm 2.2 \text{ ft}\cdot\text{lb}$)

CAUTION:

- Be sure to place a gasket between the transmission case and drain plug.
- Replace the gasket with a new one.
- Each oil manufacturer has its base oil and additives. Thus, do not mix two or more brands.

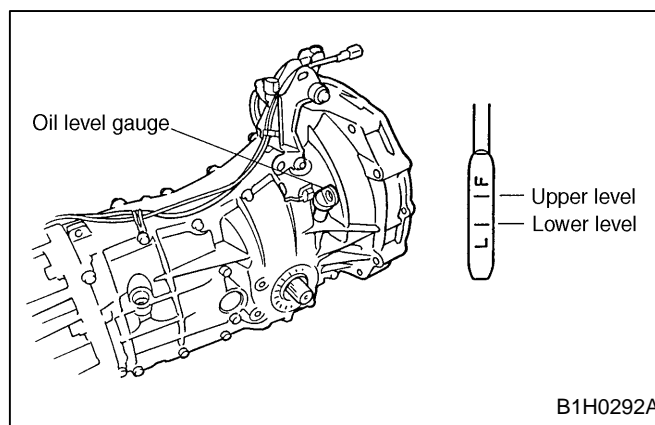
3) Fill transmission gear oil through the oil level gauge hole up to the upper point of level gauge.

Gear oil capacity:

3.5 l (3.7 US qt, 3.1 Imp qt)

**Transmission gear oil
Recommended oil**

ITEM							
• Manual Transmission gear oil							
API Classification							
GL-5							
SAE Viscosity No. and Applicable Temperature							
(°C)	-30	-26	-15	-5	0	15	25 30
(°F)	-22	-15	5	23	32	59	77 86
B1H0410A							



1-5 [G10A2] PERIODIC MAINTENANCE SERVICES

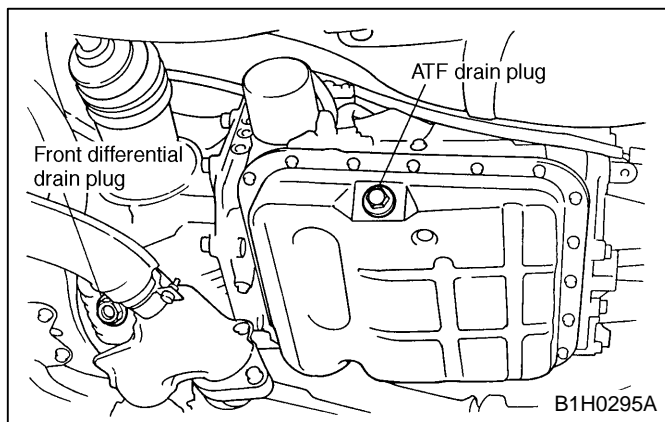
10. Transmission/Differential (Front and rear) Lubricants (Gear oil)

2. FRONT DIFFERENTIAL (AUTOMATIC TRANSMISSION)

1) Drain differential gear oil by removing drain plug after allowing the engine to cool for 3 to 4 hours.

CAUTION:

Before starting work, cool off the engine well.



2) Reinstall drain plug after draining differential gear oil and tighten it to the specified torque.

Tightening torque:

$44 \pm 3 \text{ N.m}$ ($4.5 \pm 0.3 \text{ kg-m}$, $33 \pm 2.2 \text{ ft-lb}$)

CAUTION:

- Be sure to place a gasket between the transmission case and drain plug.
- Replace the gasket with a new one.
- Each oil manufacturer has its base oil and additives. Thus, do not mix two or more brands.

3) Fill differential gear oil through the oil level gauge hole up to the upper point of level gauge.

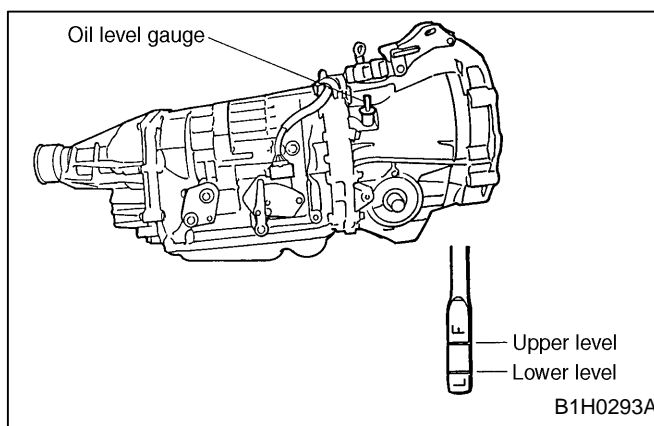
Differential gear oil capacity:

1.1 — 1.3 ℓ

(1.2 — 1.4 US qt, 1.0 — 1.1 Imp qt)

Front differential gear oil Recommended oil

ITEM							
• Front differential gear oil							
API Classification							
GL-5							
SAE Viscosity No. and Applicable Temperature							
(°C)	-30	-26	-15	-5	0	15	25 30
(°F)	-22	-15	5	23	32	59	77 86
B1H0412A							



3. REAR DIFFERENTIAL

- 1) Drain oil by removing drain plug.
- 2) Remove filler plug for quick draining oil.
- 3) Tighten drain plug after draining oil.

CAUTION:

Apply fluid packing to plug.

Fluid packing:

THREE BOND 1205 or equivalent

Tightening torque:

$49 \pm 9.8 \text{ N.m}$ ($5 \pm 1 \text{ kg-m}$, $36 \pm 7.2 \text{ ft-lb}$)

4) After installing drain plug onto rear differential gear case firmly, fill oil up fully to the mouth of filler plug.

Oil capacity:

0.8 ℓ (0.8 US qt, 0.7 Imp qt)

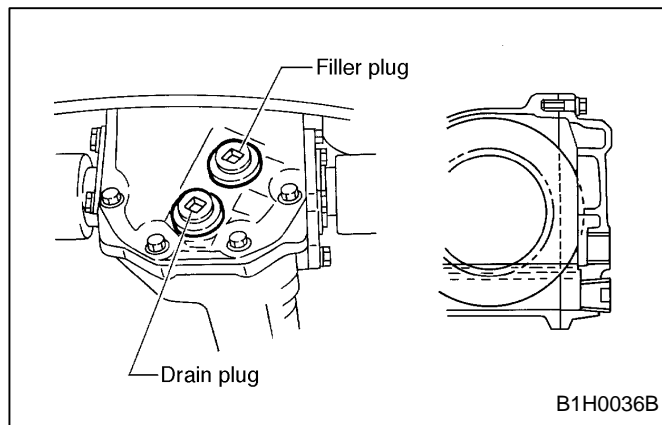
PERIODIC MAINTENANCE SERVICES**[G10A3] 1-5**

10. Transmission/Differential (Front and rear) Lubricants (Gear oil)

**Rear differential gear oil
Recommended oil****CAUTION:**

Each oil manufacturer has its base oil and additives. Thus, do not mix two or more brands.

ITEM								
• Rear differential gear oil								
API Classification								
GL-5								
SAE Viscosity No. and Applicable Temperature								
(°C)	-30	-26	-15	-5	0	15	25	30
(°F)	-22	-15	5	23	32	59	77	86
						90		
						85W		
						80W		
						75W-90		
B1H0411A								



5) Instal filler plug or bolt onto rear differential gear case firmly.

CAUTION:

Apply fluid packing to plug.

Fluid packing:

THREE BOND 1205 or equivalent

Tightening torque:

$49 \pm 9.8 \text{ N.m}$ ($5 \pm 1 \text{ kg-m}$, $36 \pm 7.2 \text{ ft-lb}$)