

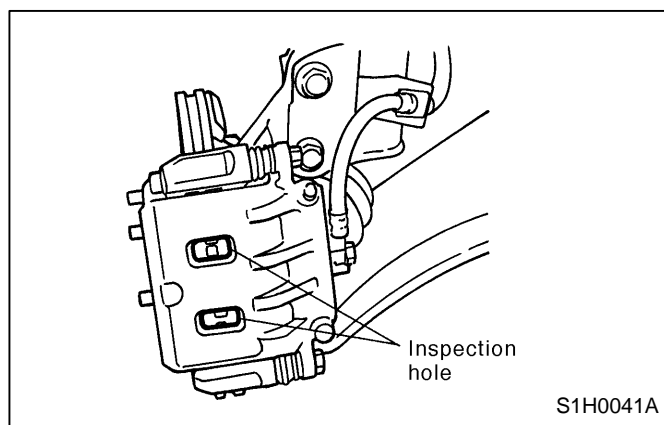
13. Disc Brake Pads and Discs/ Front and Rear Axle Boots and Axle Shaft Joint Portions

MAINTENANCE INTERVAL [Number of months or km (miles), whichever occurs first]																	
Months	3	7.5	15	22.5	30	37.5	45	52.5	60	67.5	75	82.5	90	97.5	105	112.5	120
× 1,000 km	4.8	12	24	36	48	60	72	84	96	108	120	132	144	156	168	180	192
× 1,000 miles	3	7.5	15	22.5	30	37.5	45	52.5	60	67.5	75	82.5	90	97.5	105	112.5	120

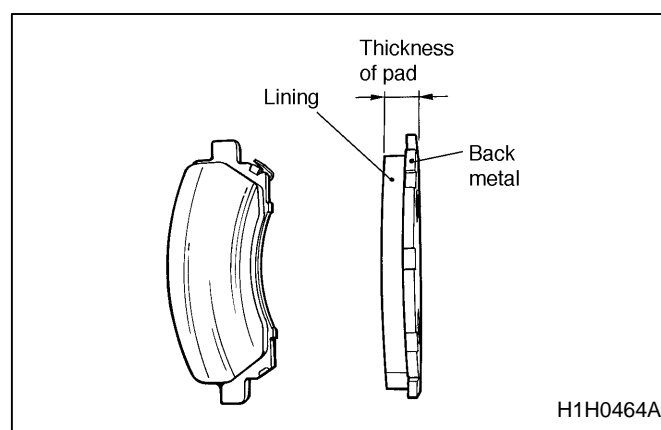
A: INSPECTION

1. DISC BRAKE PAD AND DISC

- 1) Jack up vehicle and support with rigid racks. Then remove wheels.
- 2) Visually check pad thickness through inspection hole of disc brake assembly. Replace pad if necessary.



Pad thickness including back metal mm (in)		
	Front	Rear
Standard	17 (0.67)	14 (0.55)
Service limit	7.5 (0.295)	6.5 (0.256)
Service limit (exclusive back metal)	1.5 (0.059)	1.5 (0.059)



- 3) Check the disc rotor, and correct or replace if it is damaged or worn.

Brake disc thickness mm (in)		
	Front	Rear
Standard	24 (0.94)	10 (0.39)
Wear limit	22 (0.87)	8.5 (0.335)

- 4) Measure the disc rotor runout at a point less than 5 mm (0.20 in) from the outer periphery of the rotor.

Disc rotor runout limit:

Front: 0.075 mm (0.00295 in)

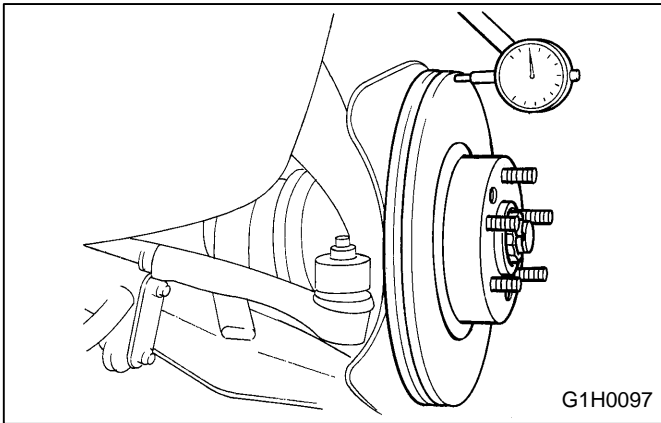
Rear: 0.070 mm (0.00275 in)

CAUTION:

When replacing a pad, always replace the pads for both the left and right wheels at the same time. Also replace pad clips if they are twisted or worn.

1-5 [G13A2] PERIODIC MAINTENANCE SERVICES

13. Disc Brake Pads and Discs/Front and Rear Axle Boots and Axle Shaft Joint Portions



2. FRONT AND REAR AXLE BOOTS

Inspect front and rear axle boots for deformation, damage or failure. If faulty, replace them with new ones.

