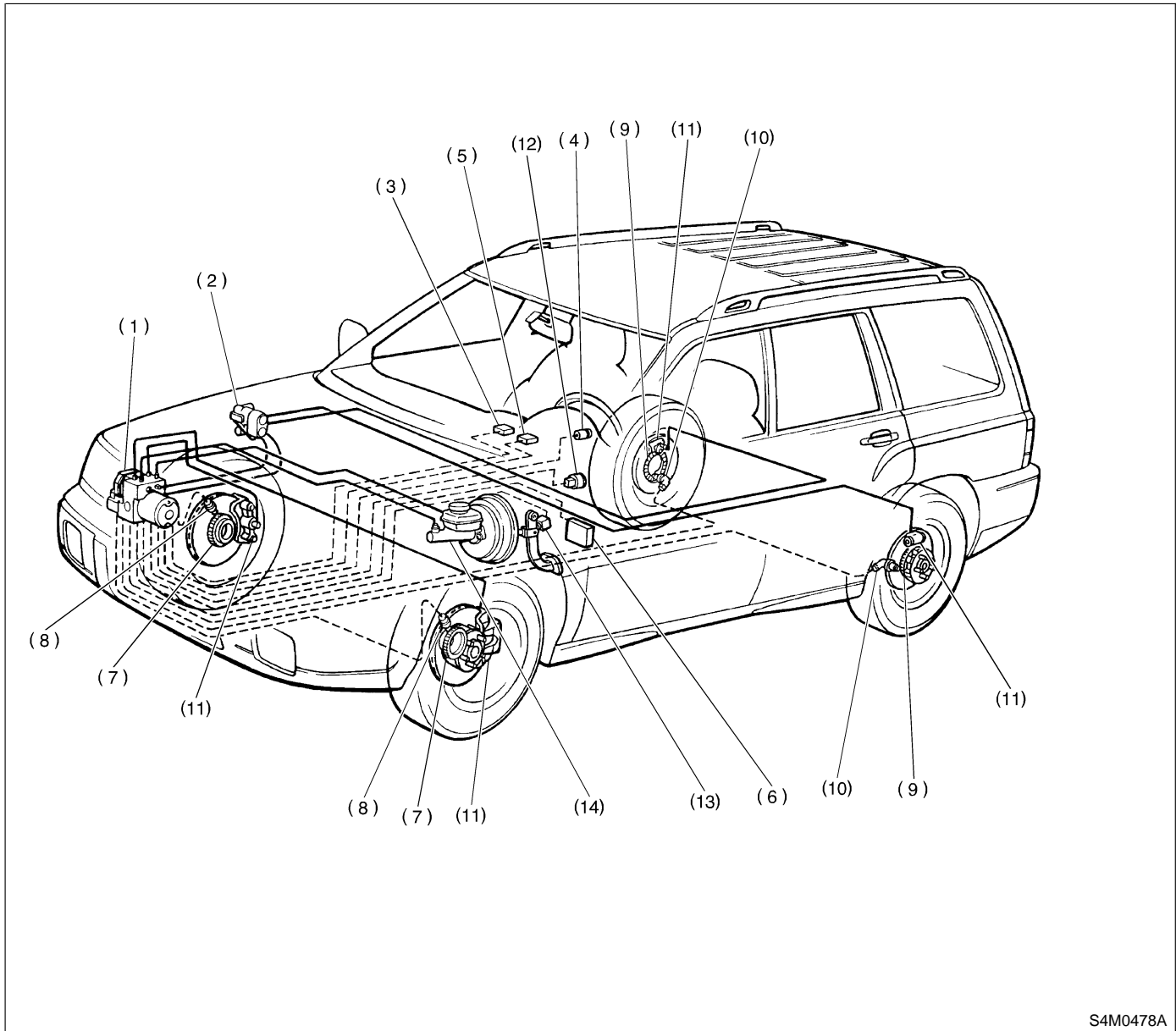


### 3. Electrical Components Location

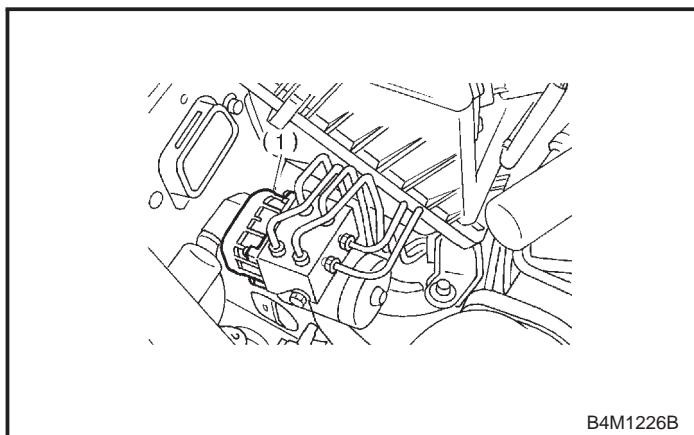


S4M0478A

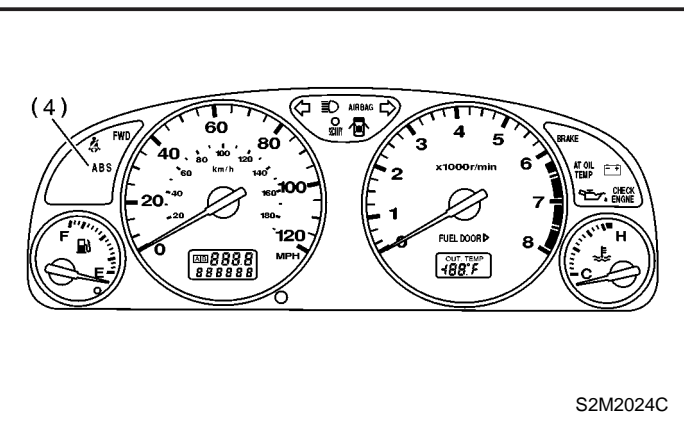
- (1) ABS control module and hydraulic control unit (ABSCM&H/U)
- (2) Proportioning valve
- (3) Diagnosis connector
- (4) ABS warning light
- (5) Data link connector (for SUBARU select monitor)

- (6) Automatic transmission control module
- (7) Front tone wheel
- (8) Front ABS sensor
- (9) Rear tone wheel
- (10) Rear ABS sensor
- (11) Wheel cylinder

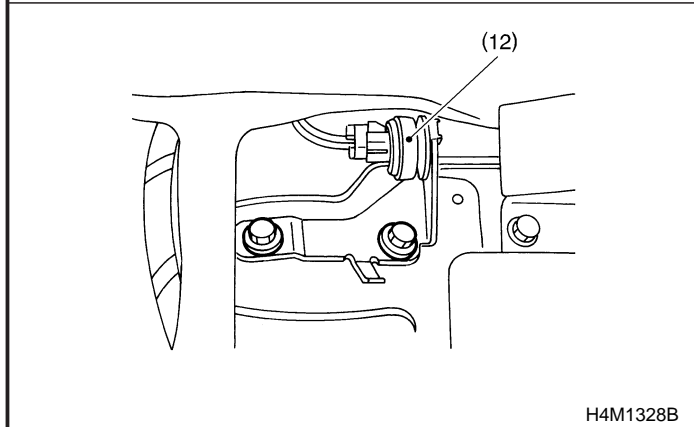
- (12) G sensor
- (13) Brake switch
- (14) Master cylinder



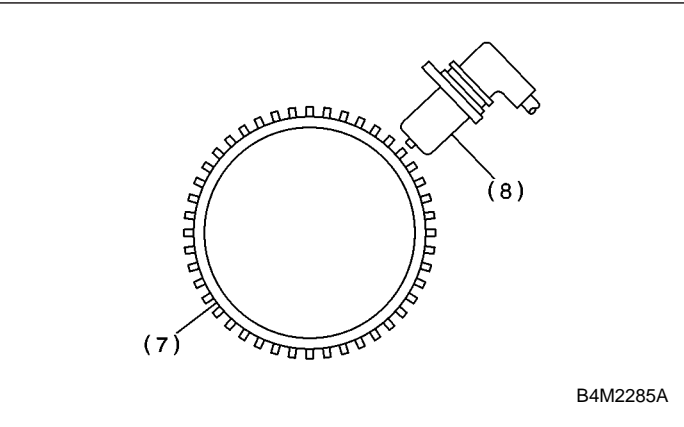
B4M1226B



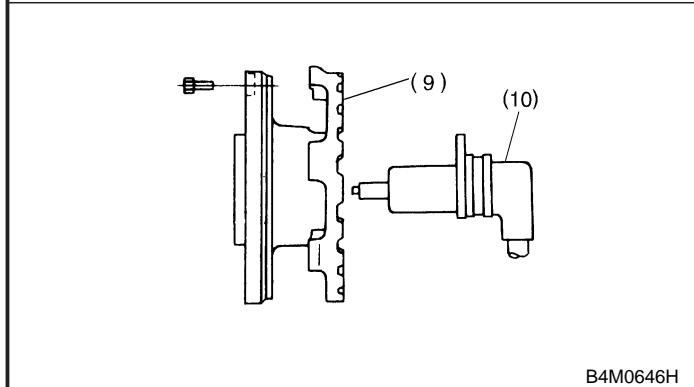
S2M2024C



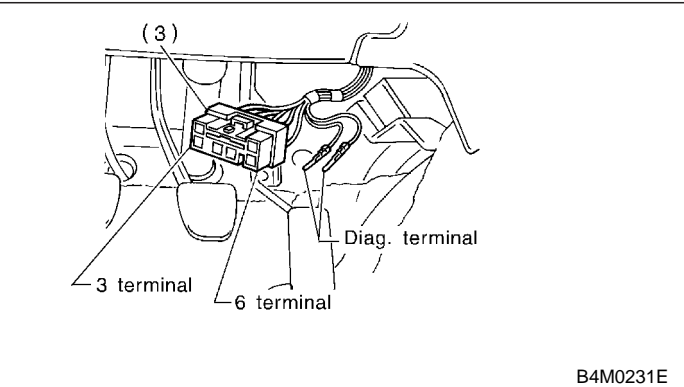
H4M1328B



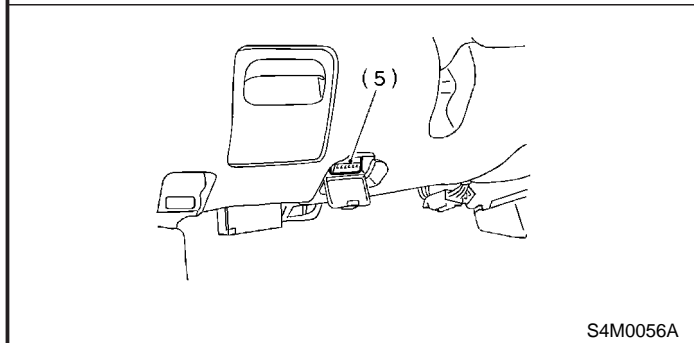
B4M2285A



B4M0646H



B4M0231E



S4M0056A

