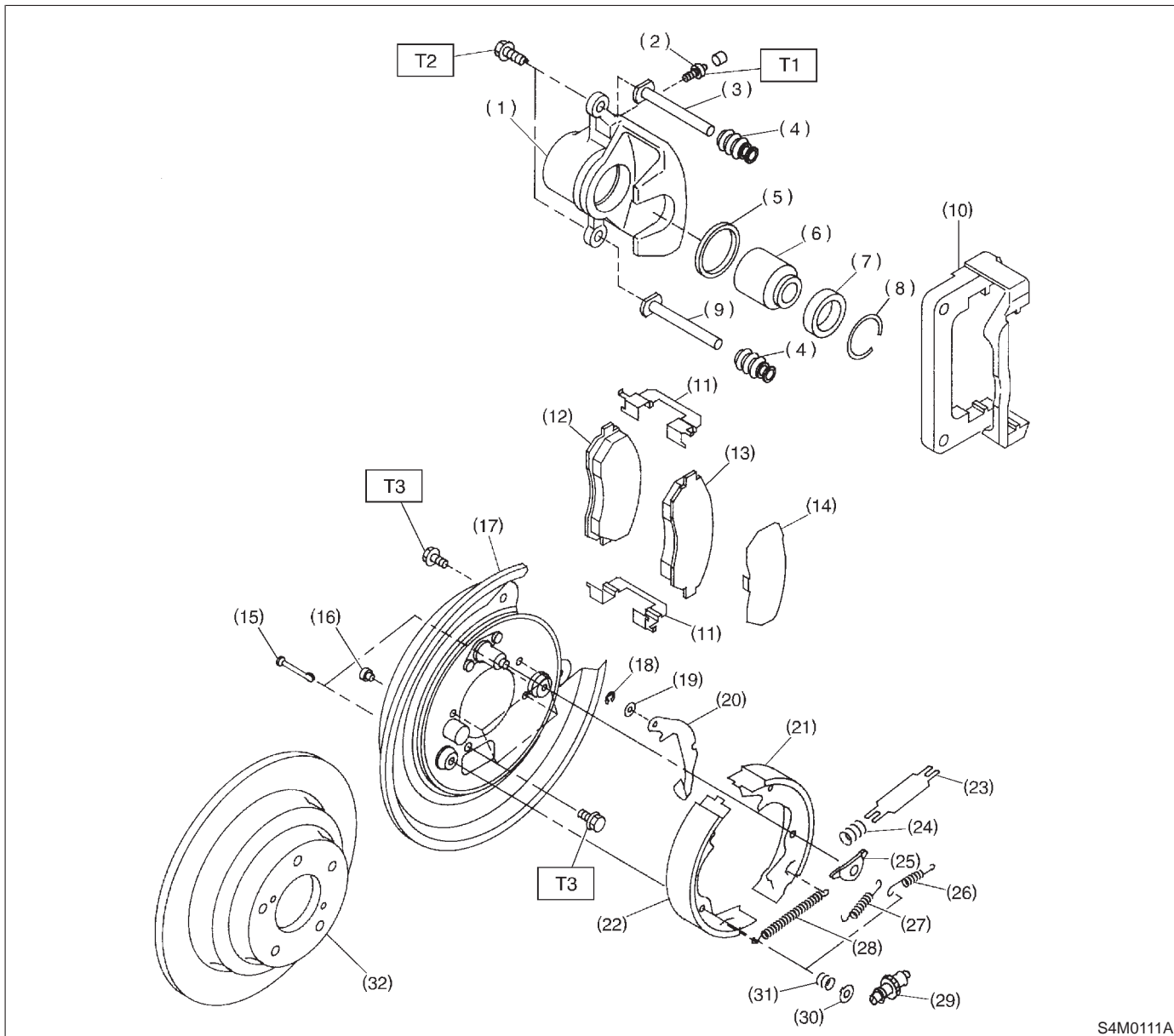


2. Rear Disc Brake



- | | | |
|-----------------------|-------------------------------------|---------------------------------|
| (1) Caliper body | (14) Shim | (27) Primary shoe return spring |
| (2) Air bleeder screw | (15) Shoe hold-down pin | (28) Adjusting spring |
| (3) Guide pin (Green) | (16) Cover | (29) Adjuster |
| (4) Pin boot | (17) Back plate | (30) Shoe hold-down cup |
| (5) Piston seal | (18) Retainer | (31) Shoe hold-down spring |
| (6) Piston | (19) Spring washer | (32) Disc rotor |
| (7) Piston boot | (20) Parking brake lever | |
| (8) Boot ring | (21) Parking brake shoe (Secondary) | |
| (9) Lock pin (Yellow) | (22) Parking brake shoe (Primary) | |
| (10) Support | (23) Strut | |
| (11) Pad clip | (24) Strut shoe spring | |
| (12) Inner pad | (25) Shoe guide plate | |
| (13) Outer pad | (26) Secondary shoe return spring | |

Tightening torque: N-m (kg-m, ft-lb)
T1: 8±1 (0.8±0.1, 5.8±0.7)
T2: 39±5 (4.0±0.5, 28.9±3.6)
T3: 52⁺¹⁰/₋₆ (5.3^{+1.0}/_{-0.6}, 38.2^{+7.2}/_{-4.3})