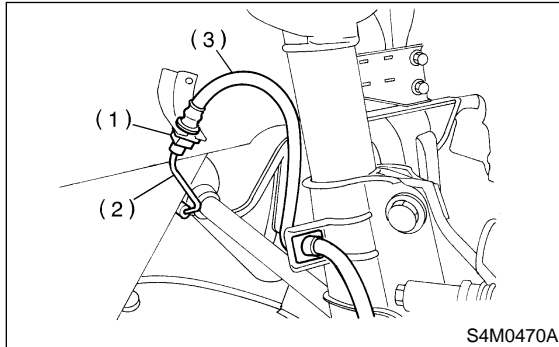


7. Brake Hose

A: REMOVAL

- 1) Separate brake pipe from brake hose.
(Always use flare nut wrench and be careful not to deform flare nut.)



- (1) Clamp
- (2) Brake pipe
- (3) Brake hose

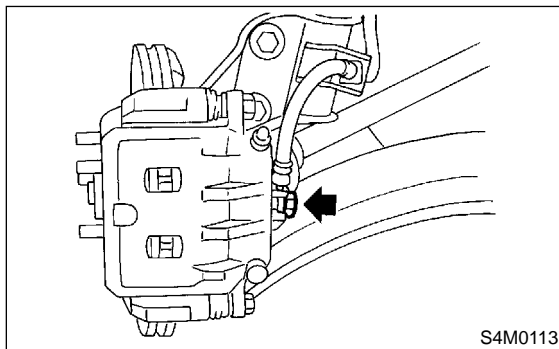
- 2) Pull out clamp to remove brake hose.
- 3) Remove clamp at strut and union bolt.

B: INSTALLATION

1. FRONT BRAKE HOSE

- 1) Route end of brake hose (on caliper side) through hole in brake hose bracket at strut location.
- 2) Tighten end of brake hose at caliper using a union bolt.

Tightening torque (Union bolt):
 $18 \pm 3 \text{ N}\cdot\text{m}$ ($1.8 \pm 0.3 \text{ kg}\cdot\text{m}$, $13.0 \pm 2.2 \text{ ft}\cdot\text{lb}$)



- 3) Secure middle fitting of brake hose to bracket at strut location using a clamp.
- 4) Position disc in straight-forward direction and route brake hose through hole in bracket on wheel apron side.

CAUTION:

Be sure brake hose is not twisted.

- 5) Temporarily tighten flare nut to connect brake pipe and hose.

- 6) Fix brake hose with clamp at wheel apron bracket.
- 7) While holding hexagonal part of brake hose fitting with a wrench, tighten flare nut to the specified torque.

Tightening torque (Brake pipe flare nut):
 $15^{+3}_{-2} \text{ N}\cdot\text{m}$ ($1.5^{+0.3}_{-0.2} \text{ kg}\cdot\text{m}$, $10.8^{+2.2}_{-1.4} \text{ ft}\cdot\text{lb}$)

- 8) Bleed air from the brake system.

2. REAR BRAKE HOSE

- 1) Pass brake hose through the hole of bracket, and lightly tighten flare nut to connect brake pipe.
- 2) Insert clamp upward to fix brake hose.
- 3) While holding hexagonal part of brake hose fitting with a wrench, tighten flare nut to the specified torque.

Tightening torque (Brake pipe flare nut):
 $15^{+3}_{-2} \text{ N}\cdot\text{m}$ ($1.5^{+0.3}_{-0.2} \text{ kg}\cdot\text{m}$, $10.8^{+2.2}_{-1.4} \text{ ft}\cdot\text{lb}$)

- 4) Bleed air from the brake system.