

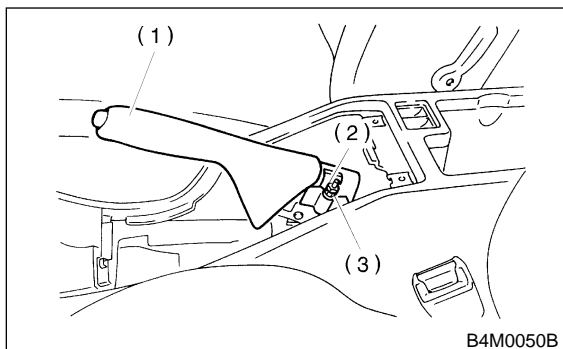
8. Parking Brake Lever

A: REPLACEMENT

- 1) Remove console box from front floor.
- 2) Disconnect electric connector for parking brake switch.
- 3) Loosen parking brake adjuster, and remove inner cable end from equalizer.
- 4) Remove parking brake lever.
- 5) Install parking brake lever in the reverse order of removal.

Torque (Lever installing bolt): **$18 \pm 5 \text{ N}\cdot\text{m}$ ($1.8 \pm 0.5 \text{ kg}\cdot\text{m}$, $13.0 \pm 3.6 \text{ ft}\cdot\text{lb}$)**

- 6) Adjust parking brake lever by turning adjuster until parking brake lever stroke is set at 7 to 8 notches with operating force of 196 N (20 kg, 44 lb).
- 7) Tighten lock nut.

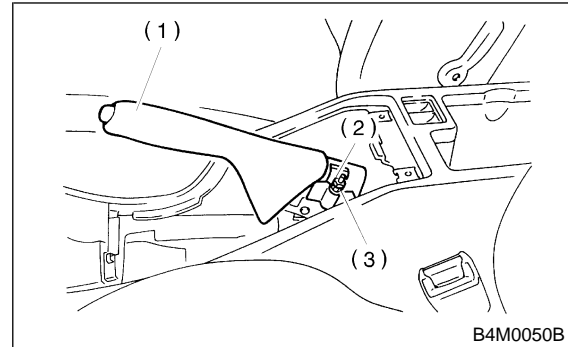
Torque (Adjuster lock nut): **$5.9 \pm 1.5 \text{ N}\cdot\text{m}$ ($0.60 \pm 0.15 \text{ kg}\cdot\text{m}$, $4.3 \pm 1.1 \text{ ft}\cdot\text{lb}$)**

- (1) Parking brake lever
- (2) Lock nut
- (3) Adjusting nut

B: PARKING BRAKE ADJUSTMENT

1. LEVER STROKE ADJUSTMENT

- 1) Remove console cover.
- 2) Forcibly pull parking brake lever 3 to 5 times.
- 3) Adjust parking brake lever by turning adjuster until parking brake lever stroke is set at 7 to 8 notches with operating force of 196 N (20 kg, 44 lb).



- (1) Parking brake lever
- (2) Lock nut
- (3) Adjusting nut

- 4) Tighten lock nut.

Lever stroke:**7 to 8 notches when pulled with a force of 196 N (20 kg, 44 lb)****Tightening torque (Lock nut):** **$5.9 \pm 1.5 \text{ N}\cdot\text{m}$ ($0.60 \pm 0.15 \text{ kg}\cdot\text{m}$, $4.3 \pm 1.1 \text{ ft}\cdot\text{lb}$)**

- 5) Install console cover.