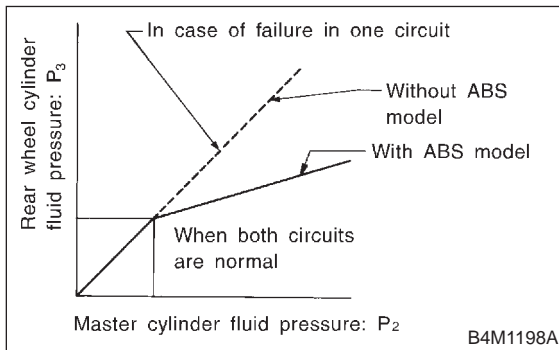


12. Proportioning Valve

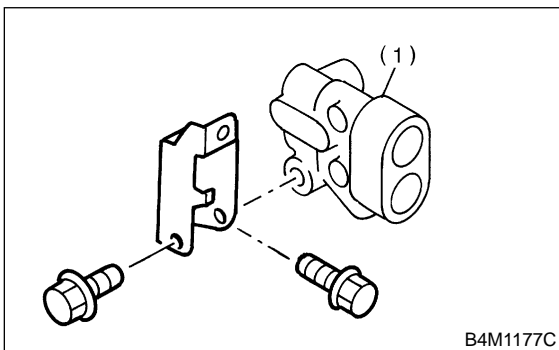
A: INSPECTION

- 1) Install the oil pressure gauges to measure the master cylinder fluid pressure (front wheel brake fluid pressure) and rear wheel cylinder fluid pressure.
- 2) Bleed air from the oil pressure gauges.
- 3) Check the master cylinder fluid pressure and rear wheel cylinder fluid pressure.
The standard values are shown in Figure.



- 4) For the oil pressure in case of split point, refer to SPECIFICATIONS. <Ref. to 4-4 [S1A0].>

B: REMOVAL



(1) Proportioning valve

- 1) Remove brake pipe from proportioning valve at four places.
- 2) Remove proportioning valve from its bracket.

CAUTION:

Do not disassemble or adjust the proportioning valve. (The proportioning valve must be replaced as an assembly.)

C: INSTALLATION

- 1) Install proportioning valve to bracket.
- 2) Connect brake pipes correctly to proportioning valve.
- 3) Bleed air, then check each joint of brake pipe for oil leaks.

Tightening torque:

Proportioning valve to brake pipe flare nut:
 $15^{+3}/_{-2}$ N·m ($1.5^{+0.3}/_{-0.2}$ kg·m, $10.8^{+2.2}/_{-1.4}$ ft·lb)

Proportioning valve to bracket:
 18 ± 5 N·m (1.8 ± 0.5 kg·m, 13.0 ± 3.6 ft·lb)