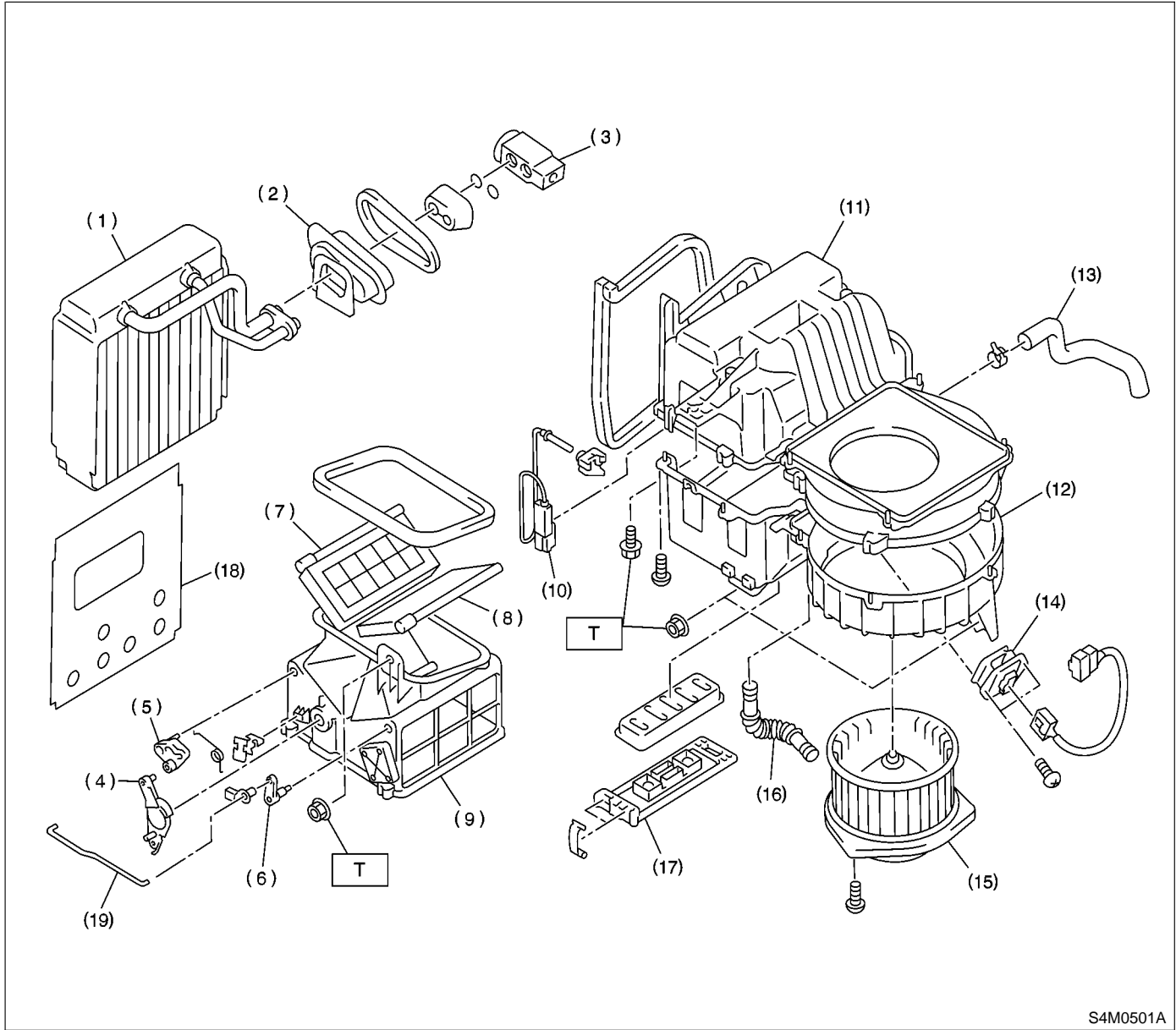


2. Intake Unit



S4M0501A

- |  |                                  |
|--|----------------------------------|
| (1) Evaporator (With A/C model)            | (8) Door (B)                     |
| (2) Boot                                   | (9) Intake unit case inlet       |
| (3) Block expansion valve (With A/C model) | (10) Thermistor (With A/C model) |
| (4) Link                                   | (11) Intake unit case upper      |
| (5) Lever (A)                              | (12) Intake unit case lower      |
| (6) Lever (B)                              | (13) Drain hose                  |
| (7) Door (A)                               | (14) Resistor                    |
|  | (15) Blower motor ASSY           |

- |                     |
|---------------------|
| (16) Aspirator pipe |
| (17) Cover          |
| (18) Separator      |
| (19) Rod            |

**Tightening torque: N·m (kg·m, ft·lb)**

**T: 7.35±1.96**

**(0.750±0.200, 5.421±1.446)**