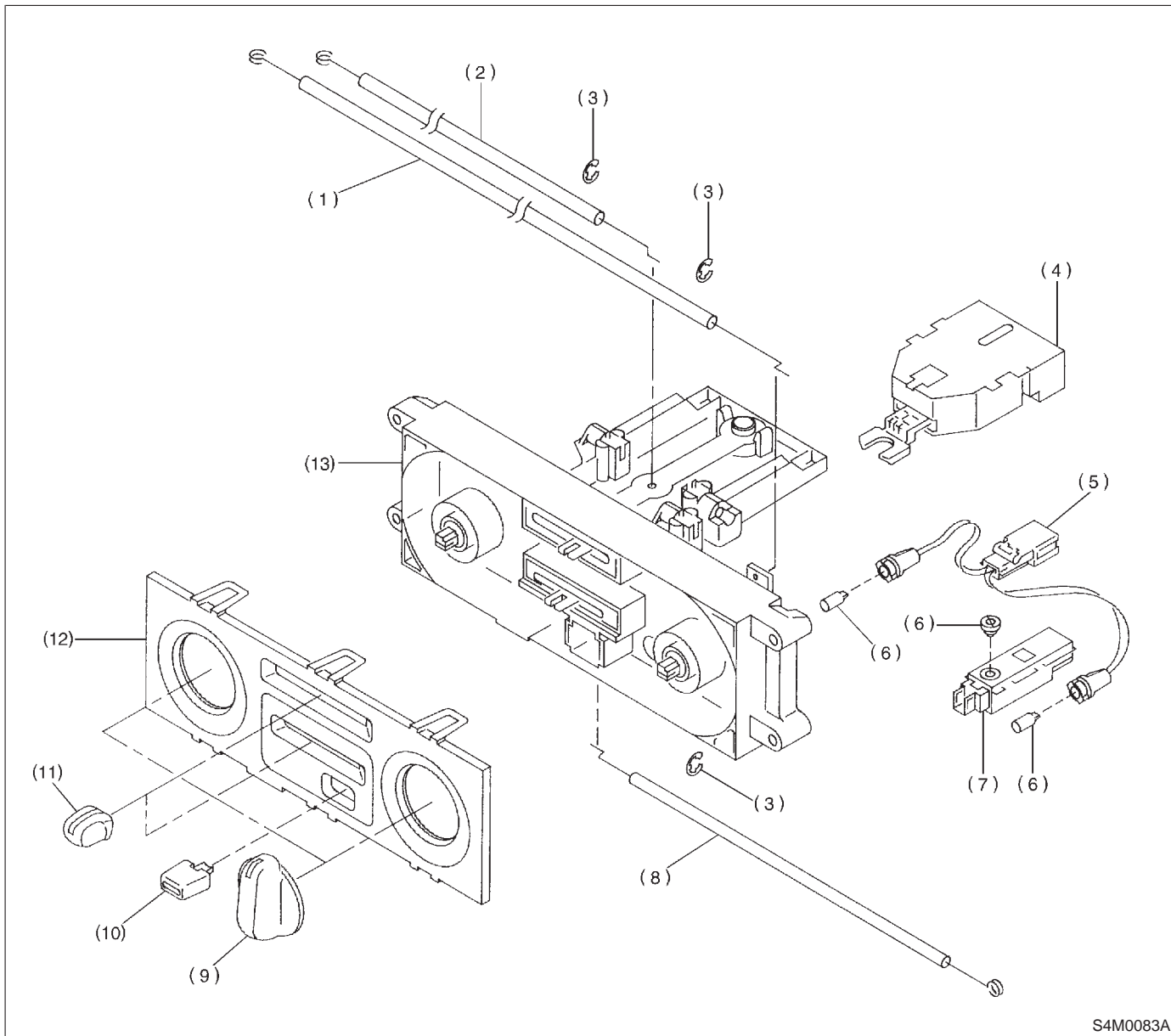


3. Control Unit



S4M0083A

- | | | |
|-------------------------------|------------------------|-------------------------|
| (1) Temperature control cable | (6) Bulb | (11) Control lever knob |
| (2) Recirc control cable | (7) A/C switch ASSY | (12) Plate |
| (3) Clip | (8) Mode control cable | (13) Base unit |
| (4) Blower switch ASSY | (9) Control dial knob | |
| (5) Harness ASSY | (10) A/C switch knob | |