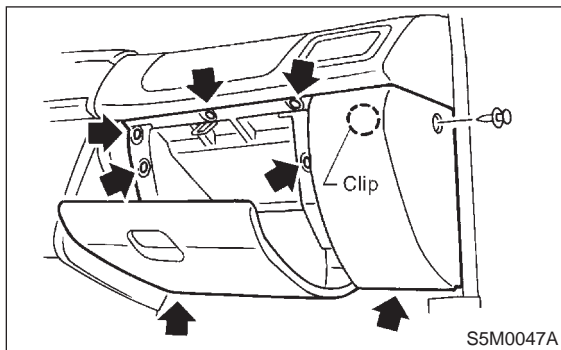


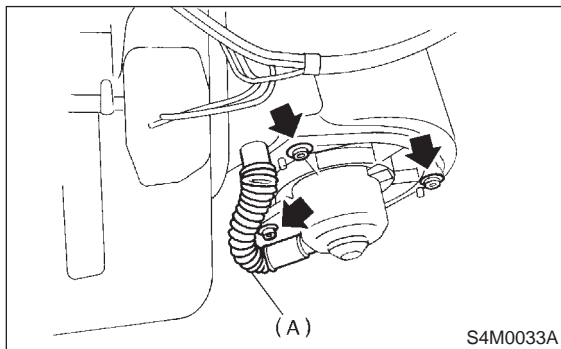
### 3. Blower Motor Assembly

#### A: REMOVAL AND INSTALLATION

- 1) Disconnect ground cable from battery.
- 2) Remove glove box.



- 3) Disconnect blower motor harness connector.
- 4) Disconnect aspirator pipe (A).
- 5) Remove blower motor mounting screw.



- 6) Remove blower motor assembly.
- 7) Install in the reverse order of removal.

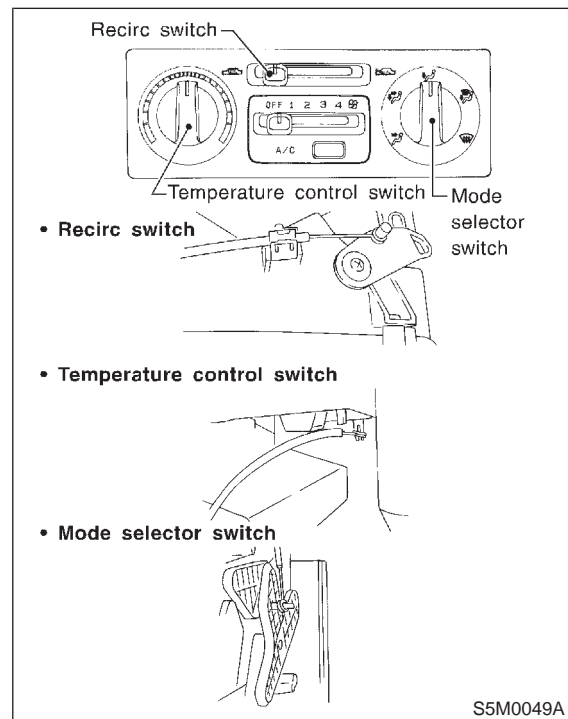
### 4. Control Unit

#### A: REMOVAL AND INSTALLATION

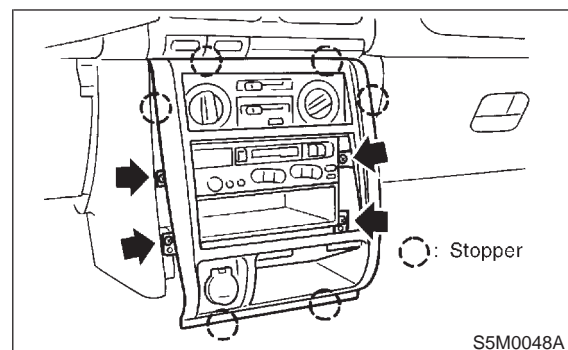
- 1) Disconnect ground cable from battery.
- 2) Set temperature control switch to "FULL HOT" and mode selector switch to "DEF" position and recirc switch to "FRESH" position.
- 3) Disconnect temperature control cable and mode door control cable from heater unit then disconnect recirc control cable from intake unit.

**NOTE:**

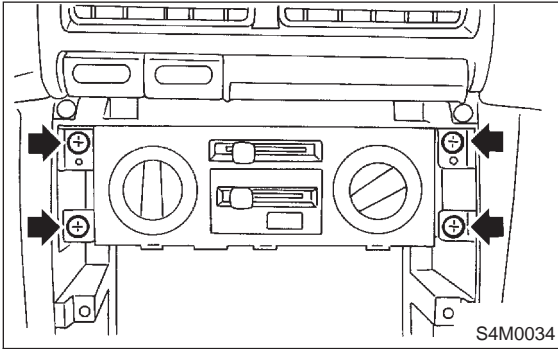
Do not attempt to move links during installation.



- 4) Remove console box. <Ref. to 5-4 [W1A0].>
- 5) Remove center panel and then disconnect connector.
- 6) Remove audio.



7) Remove control unit assembly from center console.



8) Install in the reverse order of removal.

**NOTE:**

Before installing control unit, set temperature control switch to "FULL HOT" and mode selector switch to "DEF" position and recirc switch to "FRESH" position.

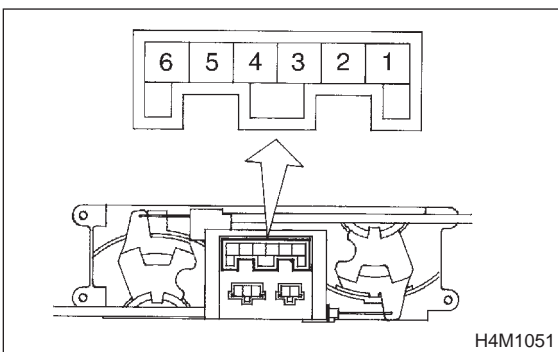
**B: INSPECTION**

**1. FAN SWITCH**

Check continuity between terminals at each switch position.

Switch position	Terminals					
	1	2	3	4	5	6
1	○				○	○
2	○			○		○
3	○		○			○
4	○	○				○
	IGN					GND

H5M1280A

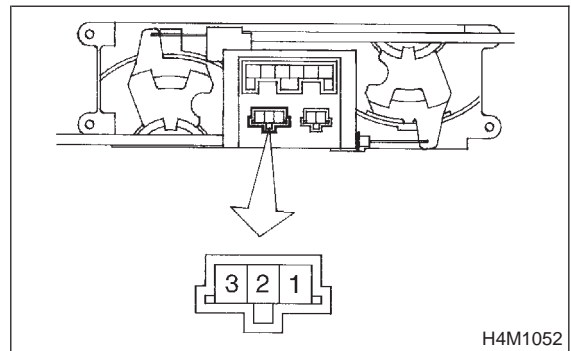


**2. A/C SWITCH**

Check A/C switch continuity between each terminal.

Terminal	Switch ON	Illumi.
1		○
2	○	○
3	○	○

H5M1281A



**C: ADJUSTMENT**

- 1) Operate temperature control switch to "FULL COLD" and mode selector switch to "VENT" position and recirc switch to "RECIRC" position.
- 2) Install control cable to lever. While pushing outer cable, secure control cable with clip.

