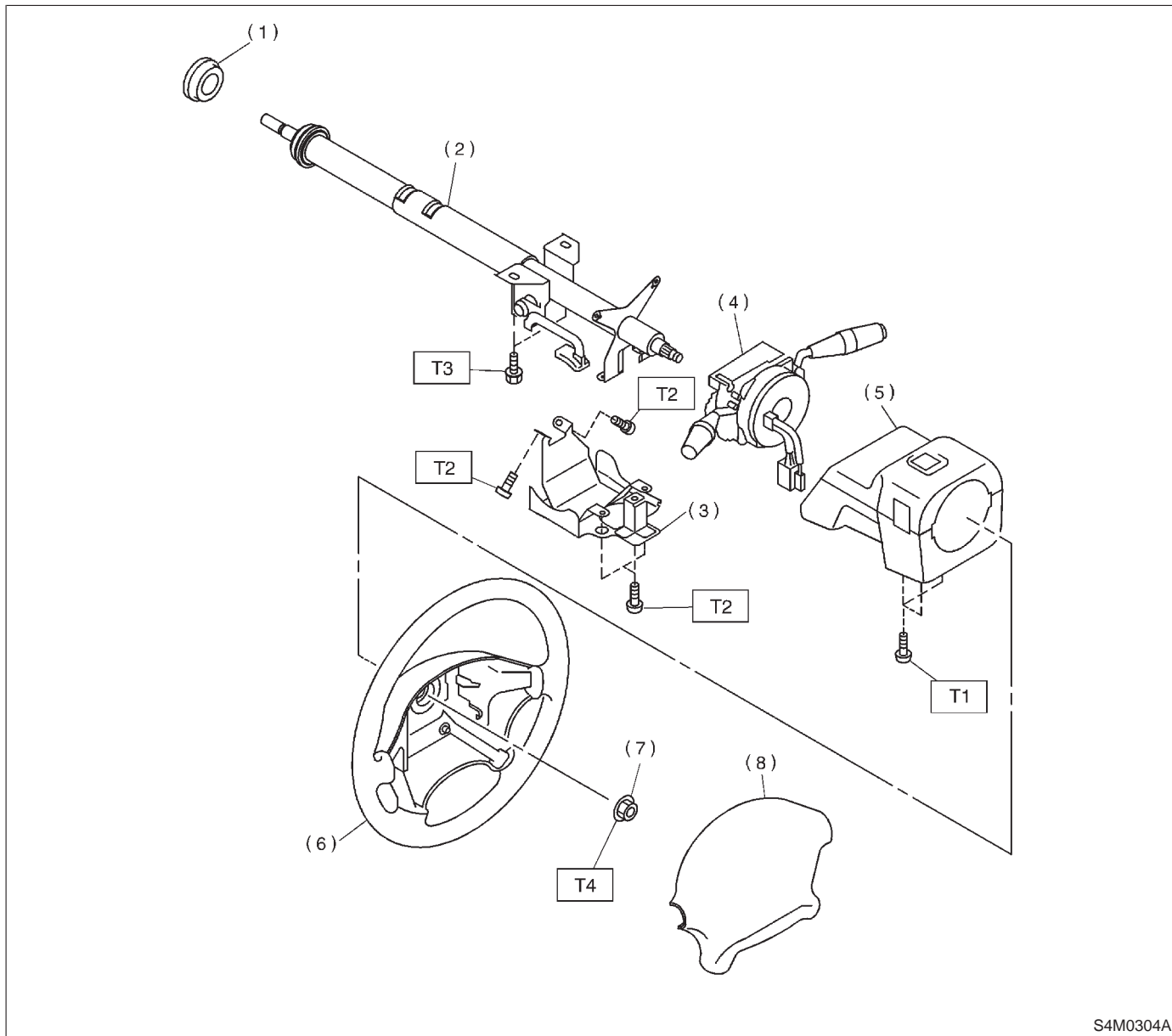


1. Steering Wheel and Column



S4M0304A

- (1) Bushing
- (2) Steering shaft
- (3) Knee protector
- (4) Steering roll connector
- (5) Column cover

- (6) Steering wheel
- (7) Flange nut
- (8) Airbag module

Tightening torque: N-m (kg-m, ft-lb)

T1: 1.2±0.2 (0.12±0.02, 0.9±0.1)

T2: 3.4±1.0 (0.35±0.1, 2.5±0.7)

T3: 25±5 (2.5±0.5, 18.1±3.6)

T4: 44±5 (4.5±0.5, 32.5±3.6)