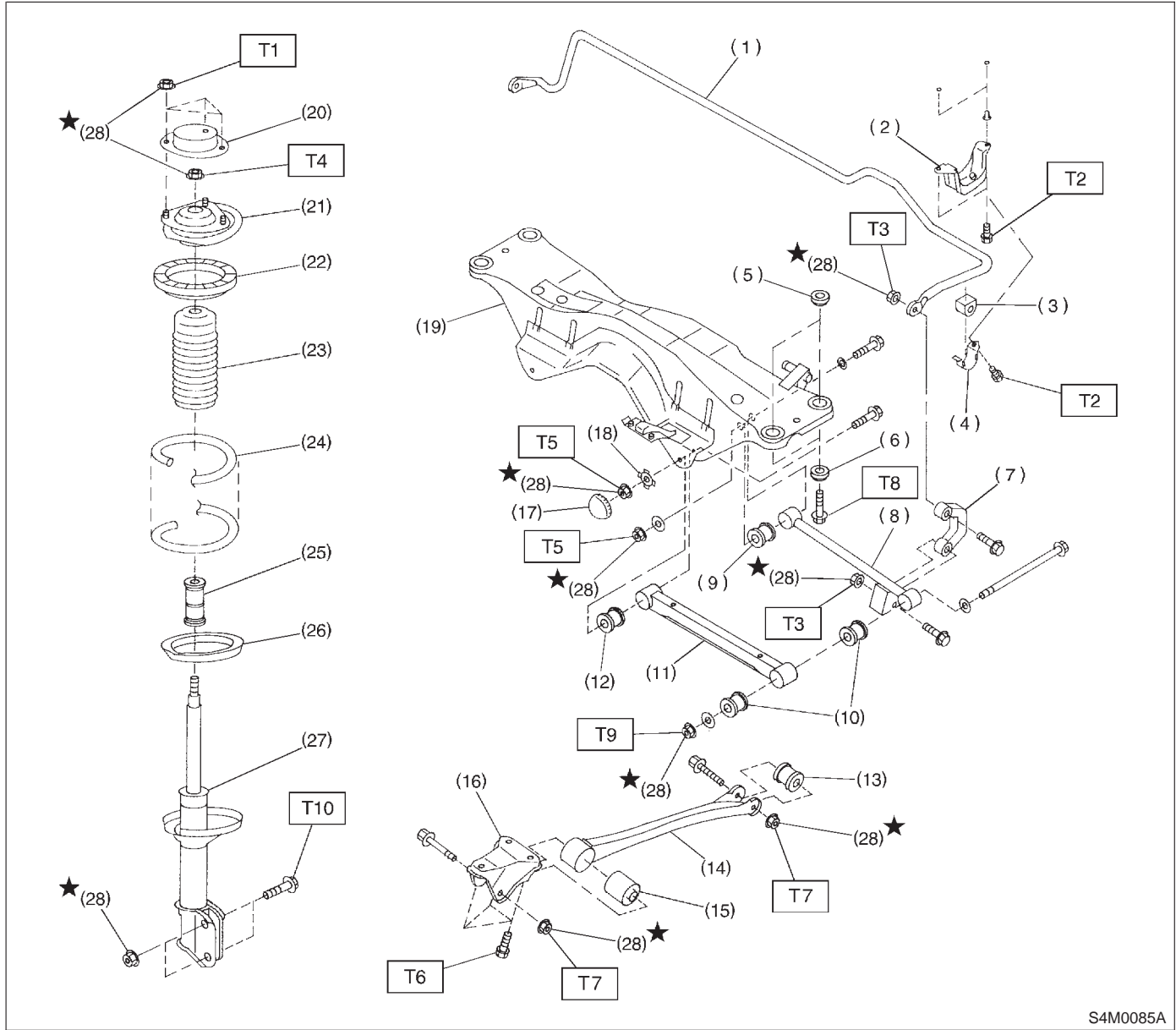


2. Rear Suspension



S4M0085A

- (1) Stabilizer
- (2) Stabilizer bracket
- (3) Stabilizer bushing
- (4) Clamp
- (5) Floating bushing
- (6) Stopper
- (7) Stabilizer link
- (8) Rear lateral link
- (9) Bushing (C)
- (10) Bushing (A)
- (11) Front lateral link
- (12) Bushing (B)
- (13) Trailing link rear bushing
- (14) Trailing link
- (15) Trailing link front bushing
- (16) Trailing link bracket
- (17) Cap (Protection)
- (18) Washer
- (19) Rear crossmember
- (20) Strut mount cap
- (21) Strut mount
- (22) Rubber seat upper
- (23) Dust cover
- (24) Coil spring
- (25) Helper
- (26) Rubber seat lower
- (27) Damper strut
- (28) Self-locking nut

Tightening torque: N·m (kg·m, ft·lb)

- T1: 20±6 (2.0±0.6, 14.5±4.3)**
- T2: 25±7 (2.5±0.7, 18.1±5.1)**
- T3: 44±6 (4.5±0.6, 32.5±4.3)**
- T4: 59±10 (6.0±1.0, 43±7)**
- T5: 98±15 (10.0±1.5, 72±11)**
- T6: 98±20 (10.0±2.0, 72±14)**
- T7: 113±15 (11.5±1.5, 83±11)**
- T8: 127±20 (13.0±2.0, 94±14)**
- T9: 137±20 (14.0±2.0, 101±14)**
- T10: 196⁺³⁹/₋₁₀ (20.0^{+4.0}/_{-1.0}, 145⁺²⁹/₋₇)**