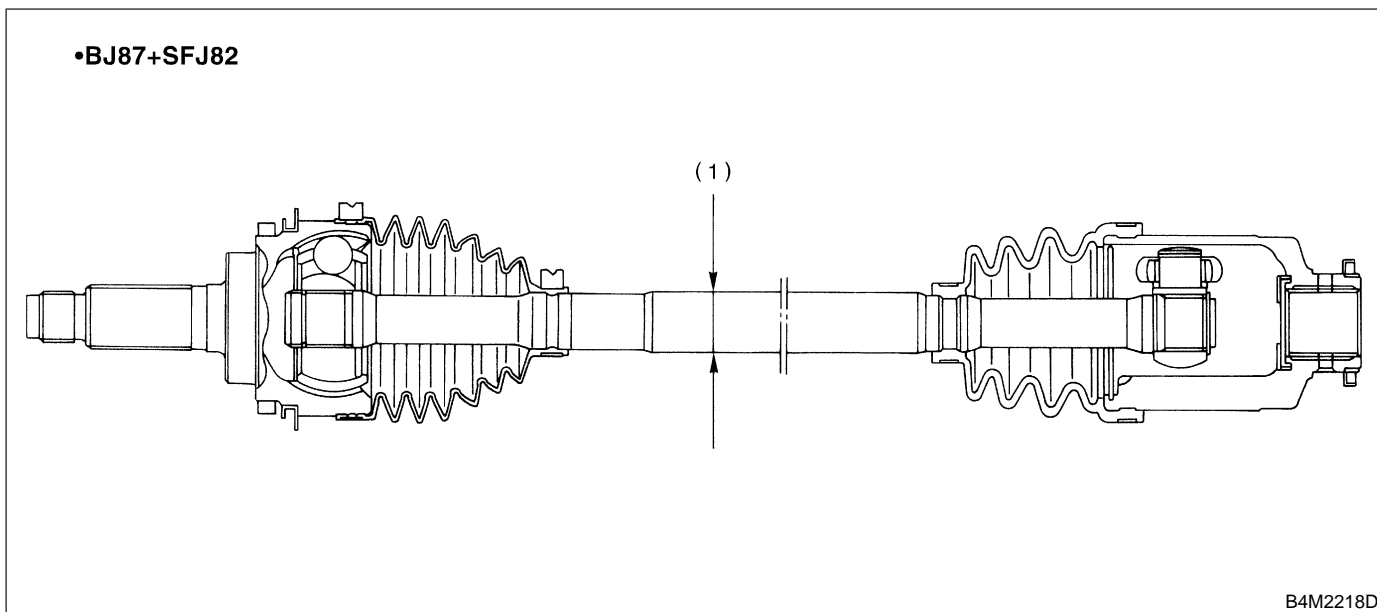


3. Front Drive Shaft Assembly

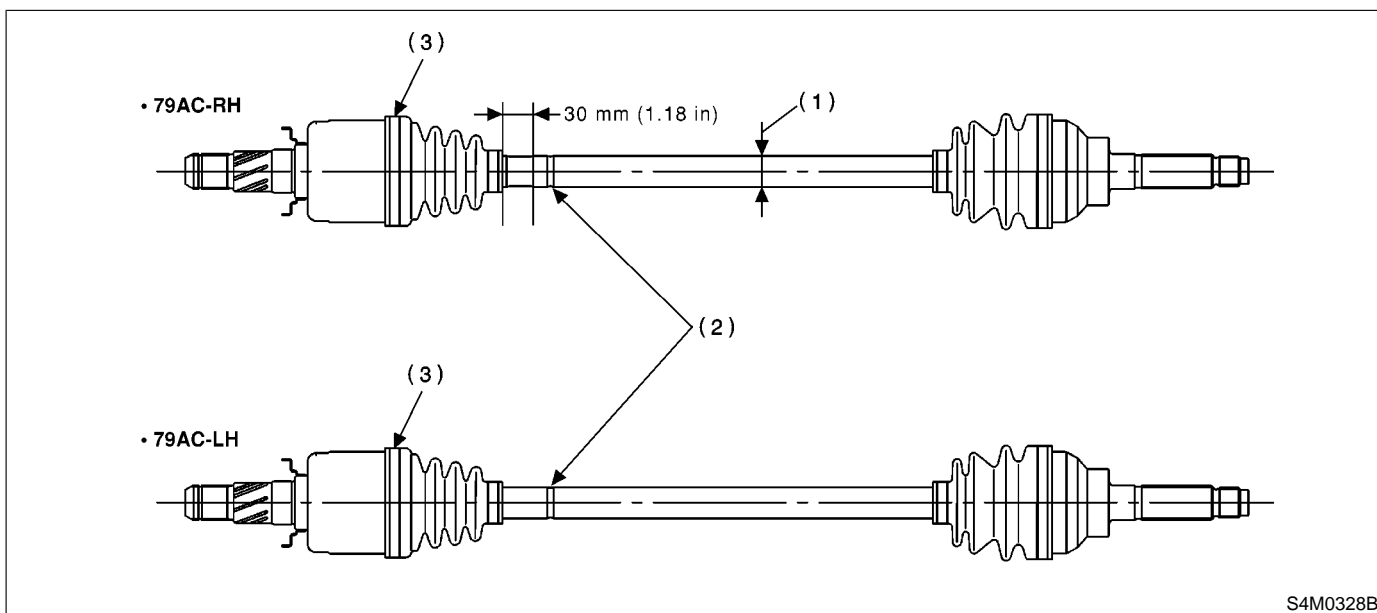
Type of drive shaft assembly	SHAFT
	Shaft diameter
BJ87L+SFJ82	26 mm (1.02 in)



(1) Measuring point

4. Rear Drive Shaft Assembly

Type of drive shaft assembly	SHAFT		Boot band identification color
	No. of identification paddings on shaft	Shaft diameter	
79AC-RH	2 (Two)	23 mm (0.91 in)	Purple
79AC-LH	1 (One)	23 mm (0.91 in)	



(1) Measuring point

(2) Identification padding

(3) Boot band identification