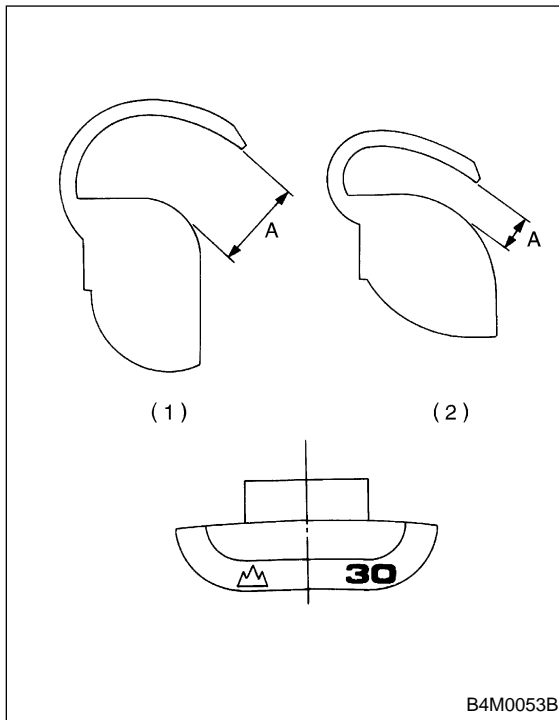


8. Wheel Balancing

- 1) Proper wheel balance may be lost if the tire is repaired or if it wears. Check the tire for dynamic balance, and repair as necessary.
- 2) To check for dynamic balance, use a dynamic balancer. Drive in the balance weight on both the top and rear sides of the rim.
- 3) Some types of balancer can cause damage to the wheel. Use an appropriate balancer when adjusting the wheel balance.
- 4) Use genuine balance weights.

CAUTION:

- 55 g (1.94 oz) weight used with aluminum wheel is not available.
- Balance weights are available for use with any of 14- to 16-inch wheels.



- (1) Weight for aluminum wheel
- (2) Weight for steel wheel

Service limit: A

Weight for steel wheel;

1.8 — 2.0 mm (0.071 — 0.079 in)

Weight for aluminum wheel;

4.5 mm (0.177 in)

9. Installation of Wheel Assembly to Vehicle

- 1) Attach the wheel to the hub by aligning the wheel bolt hole with the hub bolt.
- 2) Temporarily attach the wheel nuts to the hub bolts. (In the case of aluminum wheel, use SUBARU genuine wheel nut for aluminum wheel.)
- 3) Manually tighten the nuts making sure the wheel hub hole is aligned correctly to the guide portion of hub.
- 4) Tighten the wheel nuts in a diagonal selection to the specified torque. Use a wheel nut wrench.

Wheel nut tightening torque:

88 ± 10 N-m (9 ± 1 kg-m, 65 ± 7 ft-lb)

CAUTION:

- Tighten the wheel nuts in two or three steps by gradually increasing the torque and working diagonally, until the specified torque is reached. For drum brake models, excess tightening of wheel nuts may cause wheels to “judder”.
 - Do not depress the wrench with a foot; Always use both hands when tightening.
 - Make sure the bolt, nut and the nut seating surface of the wheel are free from oils.
- 5) If a wheel is removed for replacement or for repair of a puncture, retighten the wheel nuts to the specified torque after running 1,000 km (600 miles).