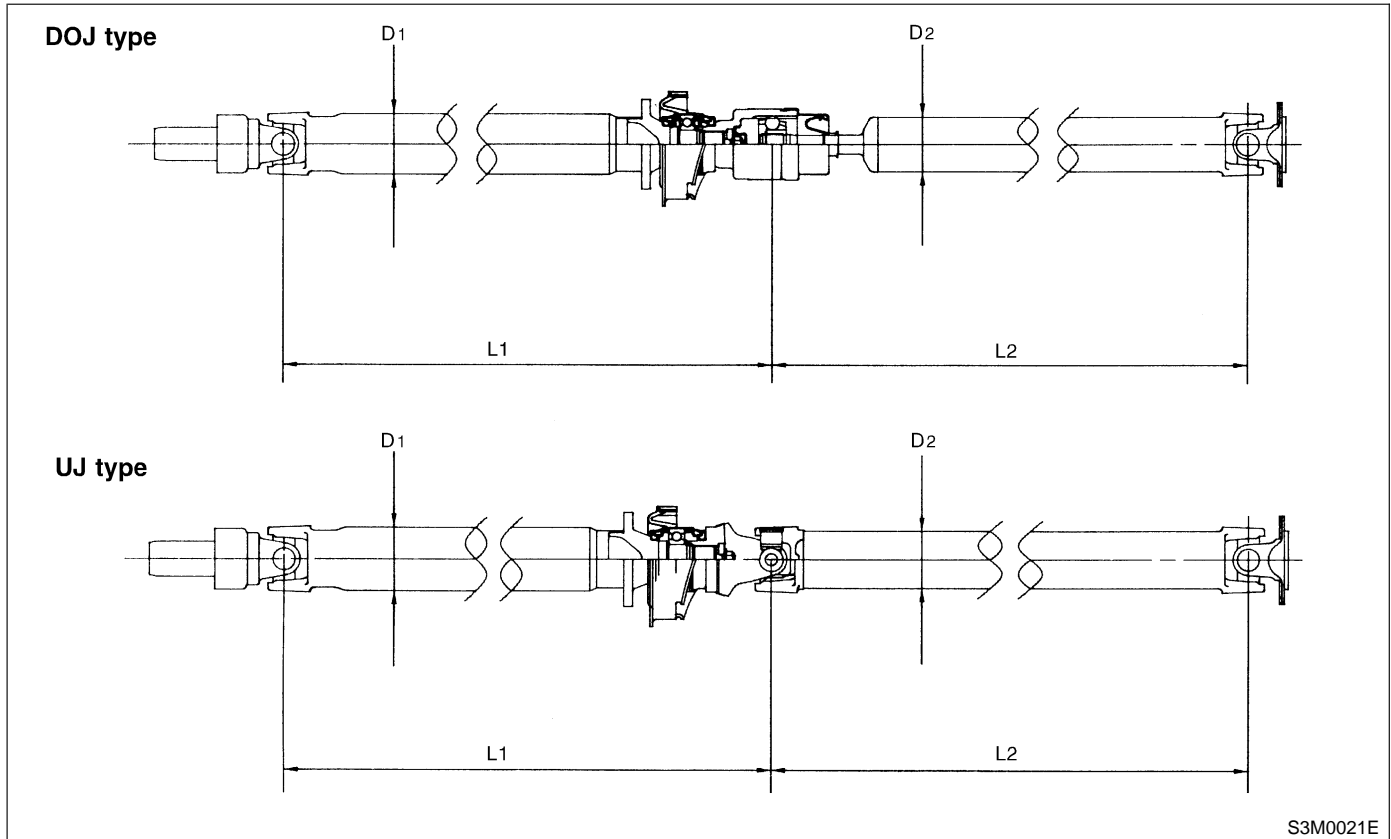


1. Propeller Shaft

A: SPECIFICATIONS

Model	MT	AT
Propeller shaft type	UJ type	DOJ type
Front propeller shaft Joint-to-Joint length: L_1	644 mm (25.35 in)	580 mm (22.83 in)
Rear propeller shaft Joint-to-Joint length: L_2	707 mm (27.83 in)	712 mm (28.03 in)
Outside dia. of tube:	D_1	63.5 mm (2.500 in)
	D_2	57.0 mm (2.244 in)



S3M0021E