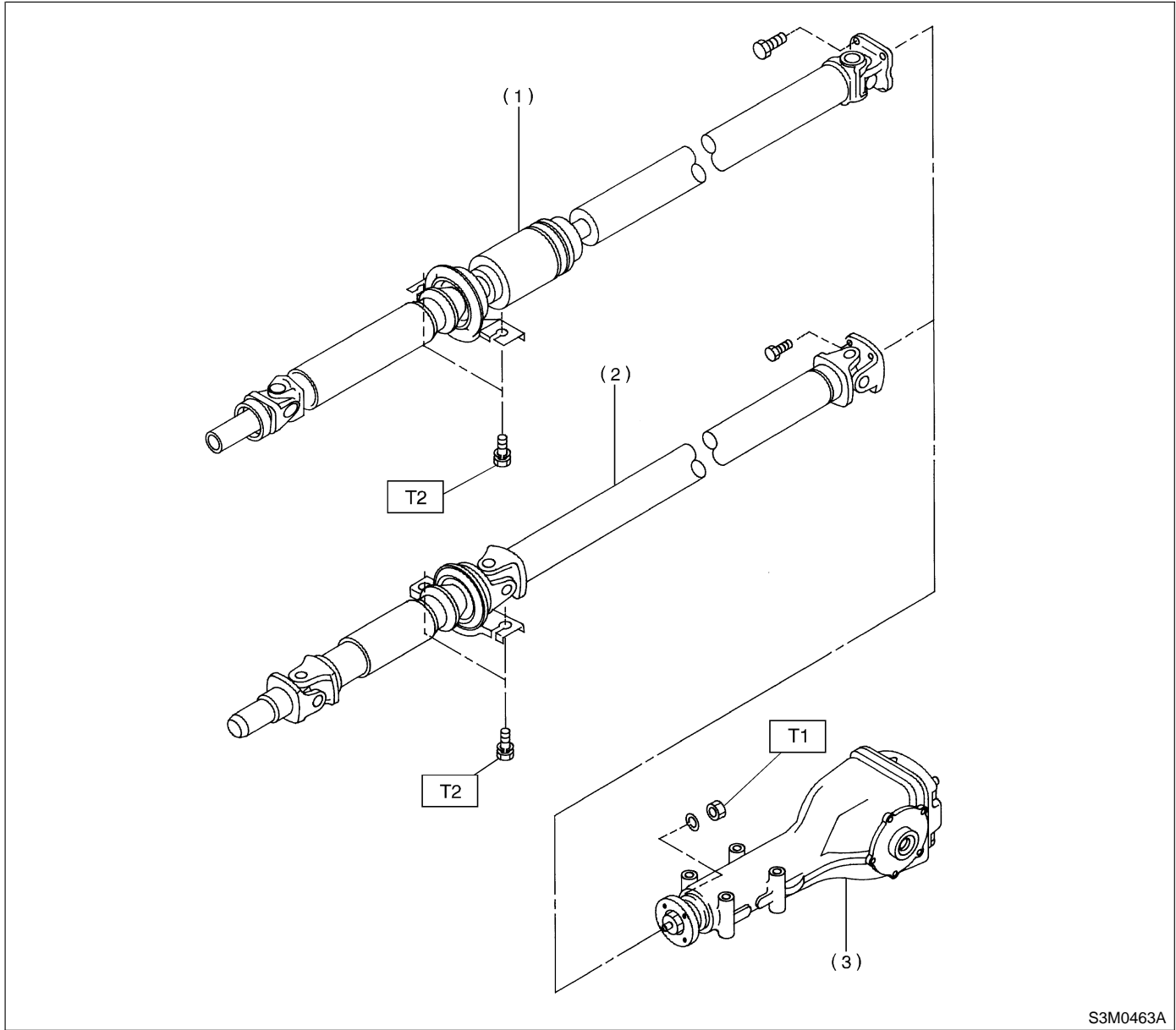


1. Propeller Shaft



S3M0463A

- (1) Propeller shaft (DOJ type)
- (2) Propeller shaft (UJ type)
- (3) Rear differential

Tightening torque: N·m (kg·m, ft·lb)

T1: 31±8 (3.2±0.8, 23.1±5.8)

T2: 52±5 (5.3±0.5, 38.3±3.6)