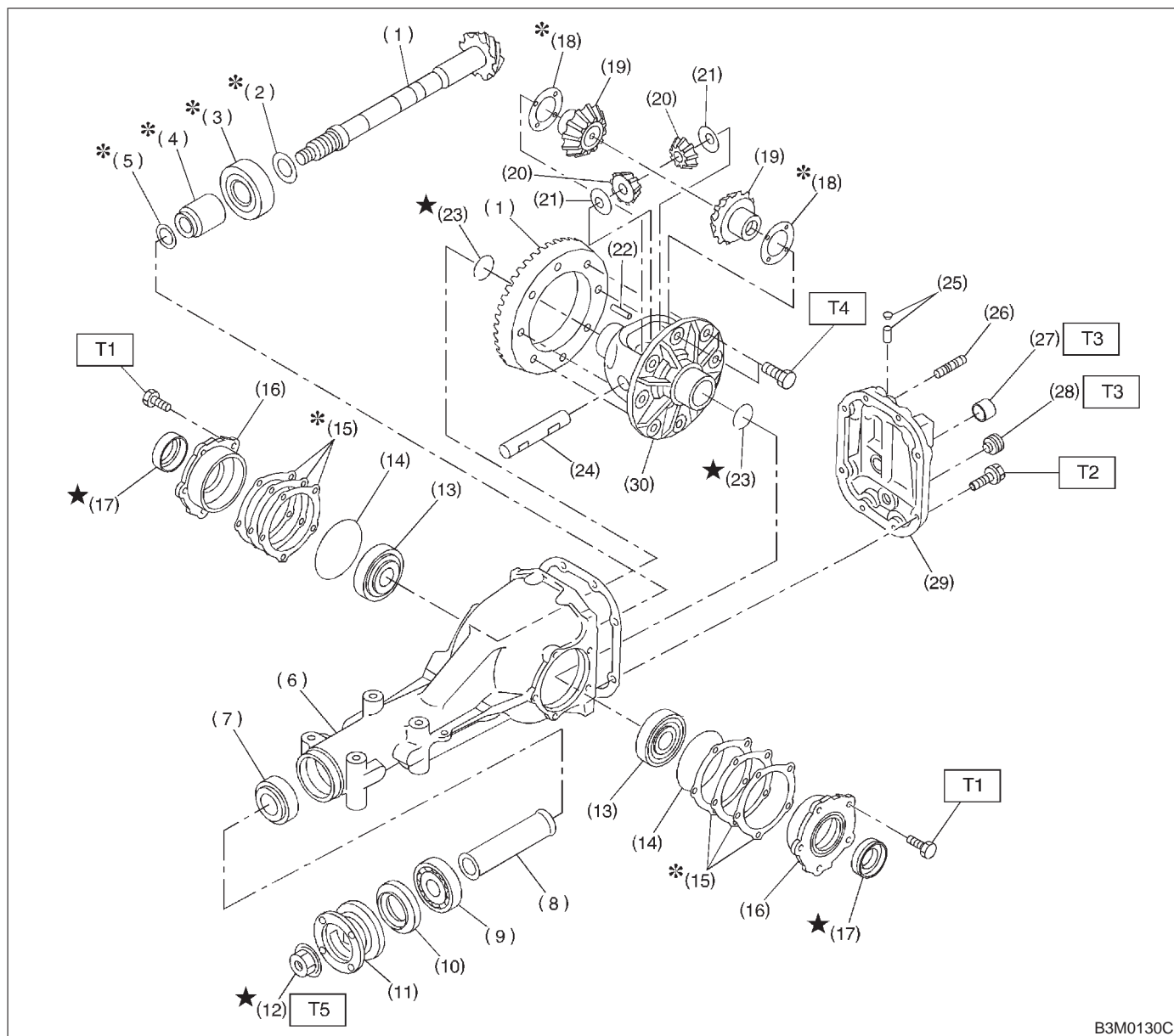


2. Rear Differential Assembly

A: WITHOUT LSD



B3M0130C

- | | | |
|--------------------------------------|---------------------------------|------------------------|
| (1) Pinion crown gear set | (13) Side bearing | (26) Stud bolt |
| (2) Pinion height adjusting washer | (14) O-ring | (27) Oil filler plug |
| (3) Rear bearing | (15) Side bearing retainer shim | (28) Oil drain plug |
| (4) Bearing preload adjusting spacer | (16) Side bearing retainer | (29) Rear cover |
| (5) Bearing preload adjusting washer | (17) Side oil seal | (30) Differential case |
| (6) Differential carrier | (18) Side gear thrust washer | |
| (7) Front bearing | (19) Side gear | |
| (8) Collar | (20) Pinion mate gear | |
| (9) Pilot bearing | (21) Pinion mate gear washer | |
| (10) Front oil seal | (22) Pinion shaft lock pin | |
| (11) Companion flange | (23) Circlip | |
| (12) Self-locking nut | (24) Pinion mate shaft | |
| | (25) Air breather cap | |

Tightening torque: N·m (kg·m, ft·lb)

T1: 10.3±1.5 (1.05±0.15, 7.6±1.1)

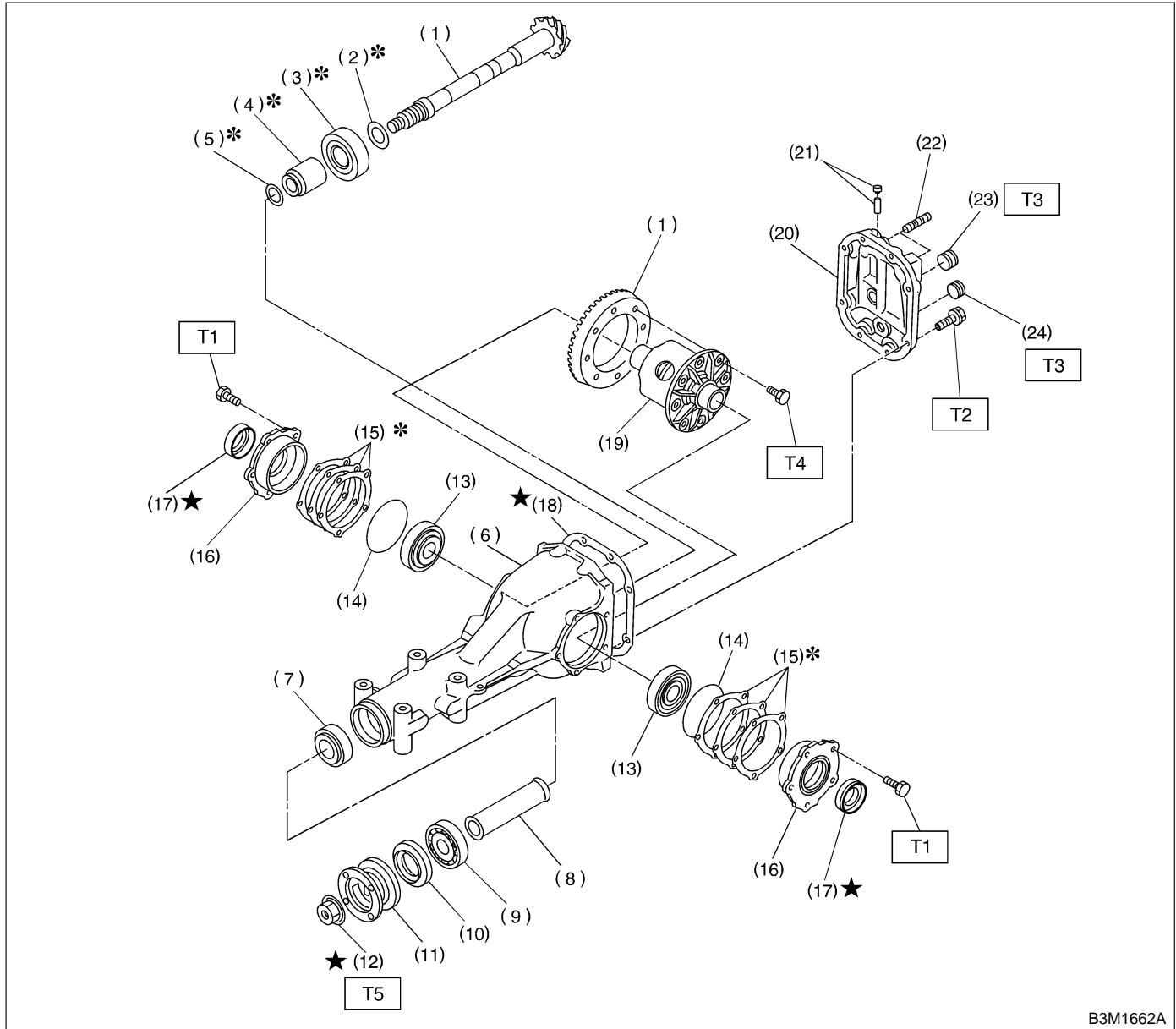
T2: 29±4.9 (3.0±0.5, 21.7±3.6)

T3: 49.0±9.8 (5.0±1.0, 36.2±7.2)

T4: 103±10 (10.5±1.0, 76±7)

T5: 181±14 (18.5±1.5, 134±11)

B: WITH LSD



B3M1662A

- | | |
|--------------------------------------|---------------------------------|
| (1) Pinion crown gear set | (12) Self-locking nut |
| (2) Pinion height adjusting shim | (13) Side bearing |
| (3) Rear bearing | (14) O-ring |
| (4) Bearing preload adjusting spacer | (15) Side bearing retainer shim |
| (5) Bearing preload adjusting washer | (16) Side bearing retainer |
| (6) Differential carrier | (17) Side oil seal |
| (7) Front bearing | (18) Gasket |
| (8) Collar | (19) Differential case |
| (9) Pilot bearing | (20) Rear cover |
| (10) Front oil seal | (21) Air breather cap |
| (11) Companion flange | (22) Stud bolt |
| | (23) Oil filler plug |
| | (24) Oil drain plug |

Tightening torque: N·m (kg·m, ft·lb)

T1: 10.3±1.5 (1.05±0.15, 7.6±1.1)

T2: 29±5 (3.0±0.5, 21.7±3.6)

**T3: 49.0±9.8
(5.0±1.0, 36.2±7.2)**

**T4: 103.0±9.8
(10.50±1.00, 75.9±7.2)**

**T5: 181±15
(18.5±1.5, 134±11)**