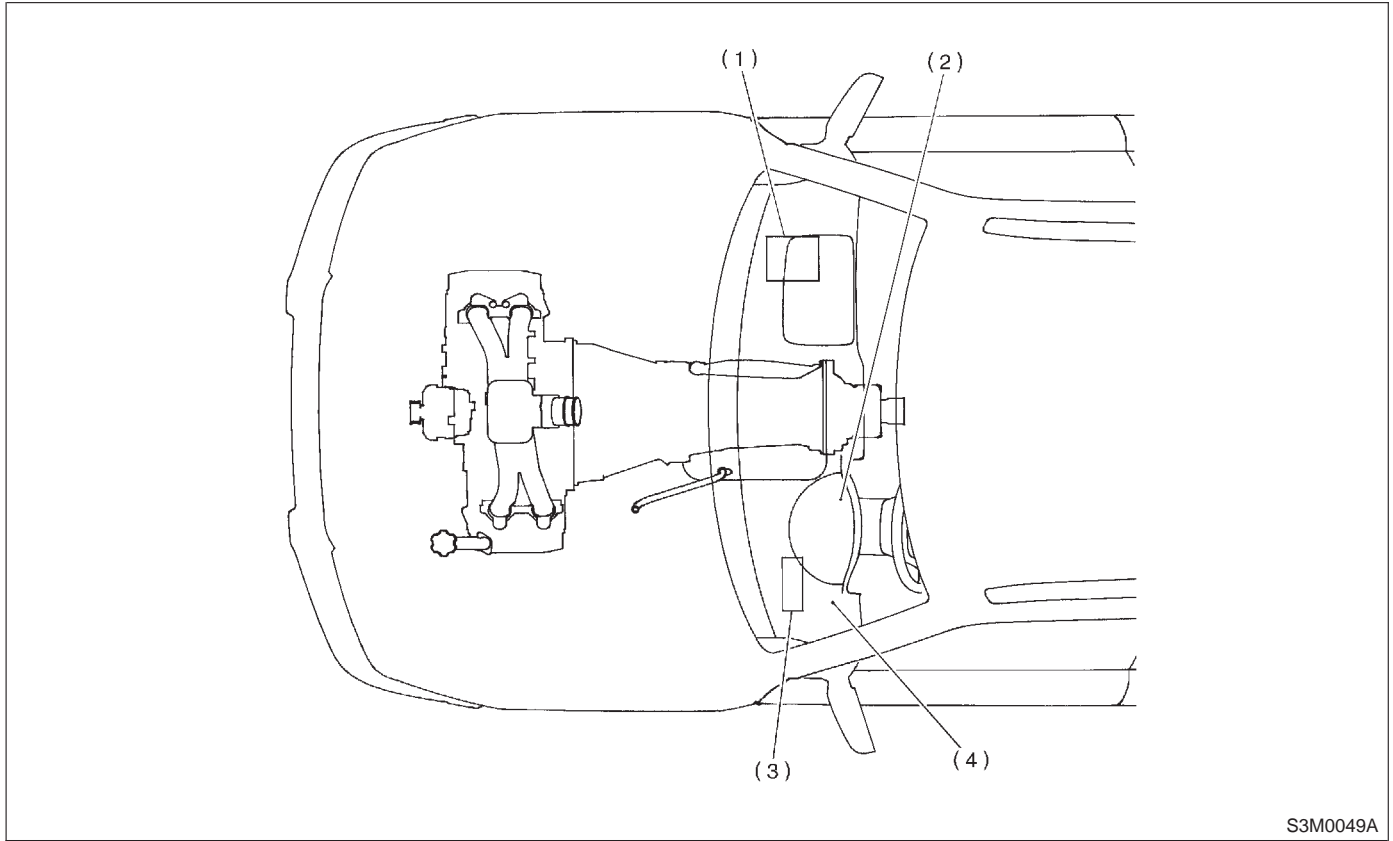


3. Electrical Components Location

A: MODULE



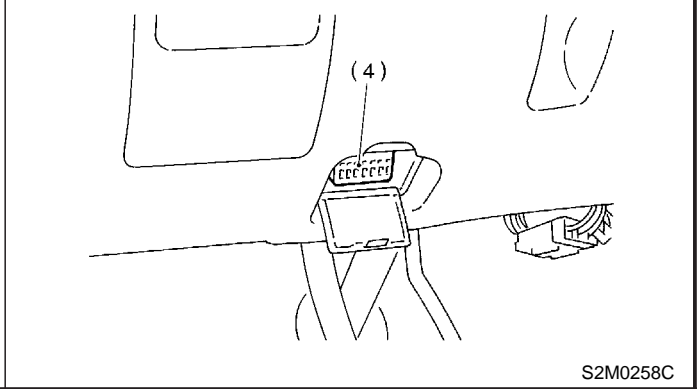
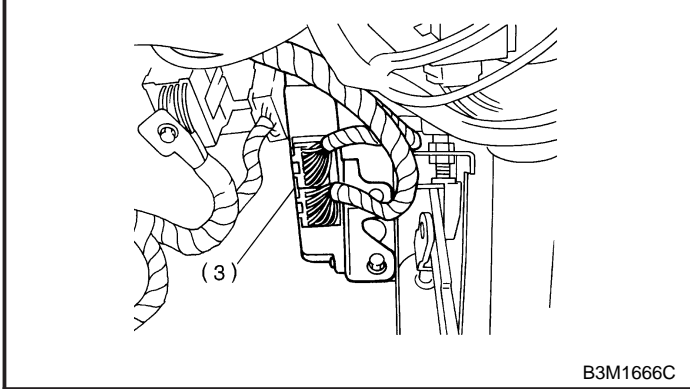
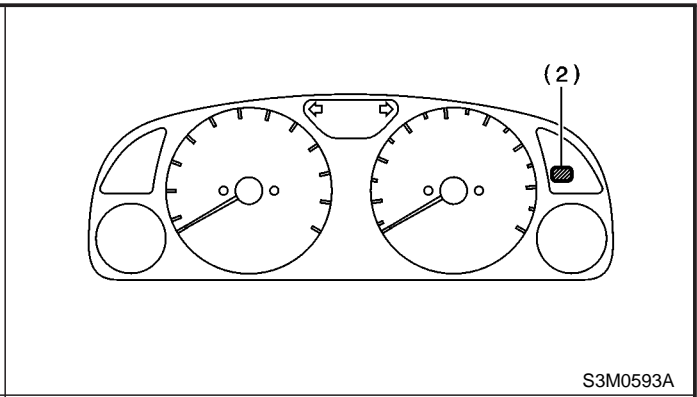
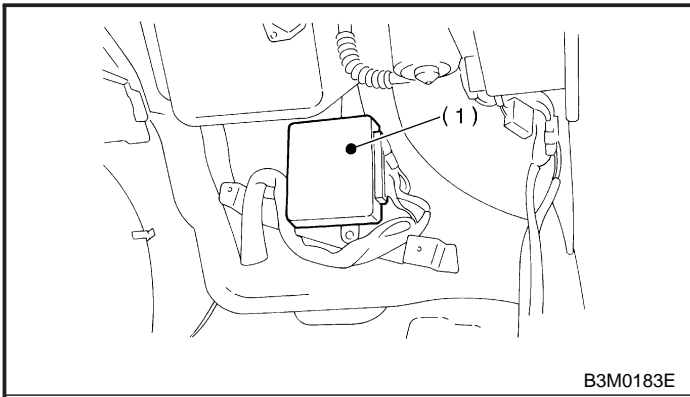
S3M0049A

(1) ECM

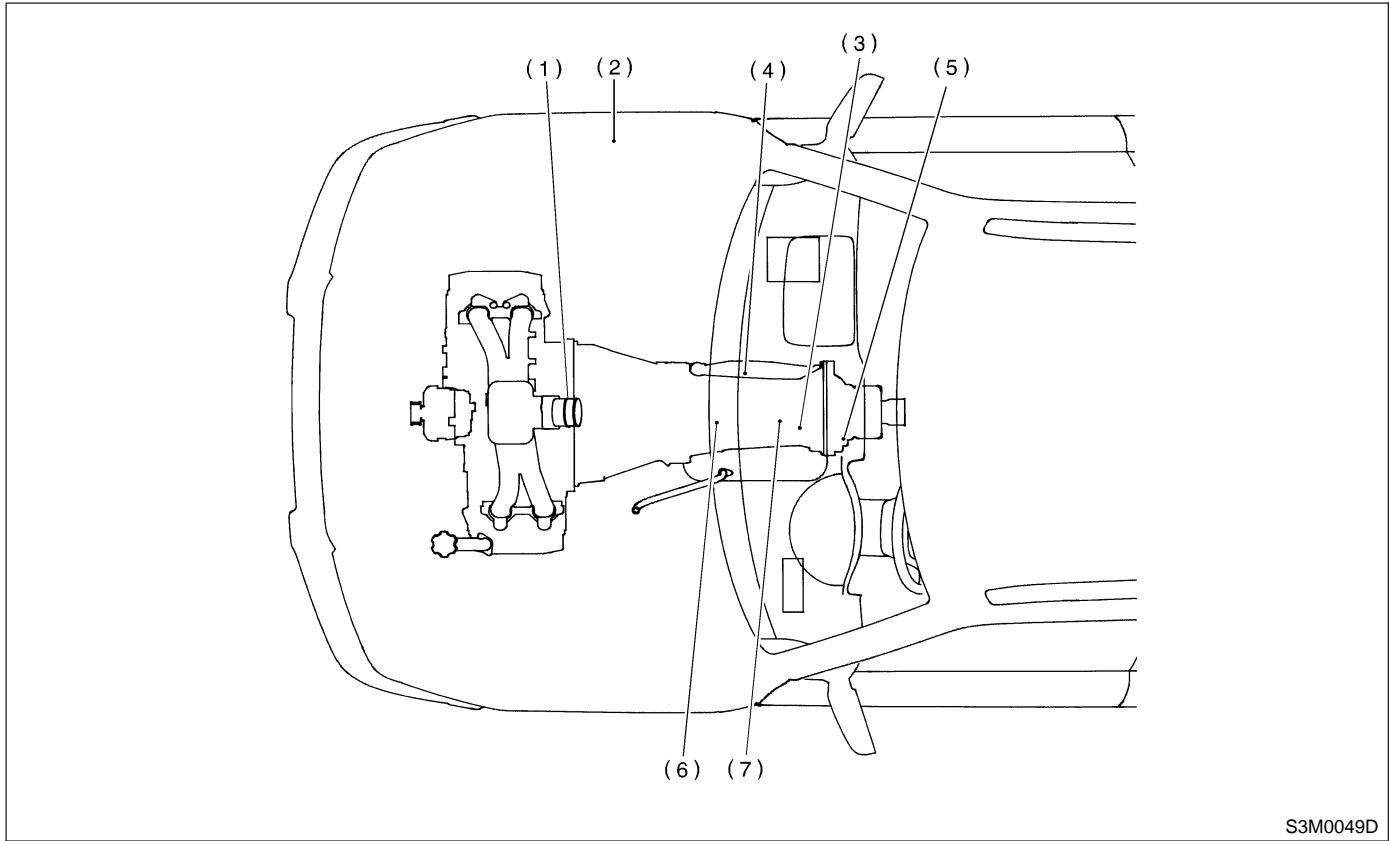
(2) AT OIL TEMP indicator light (AT diagnostic indicator light)

(3) TCM

(4) Data link connector (for Subaru select monitor and OBD-II general scan tool)

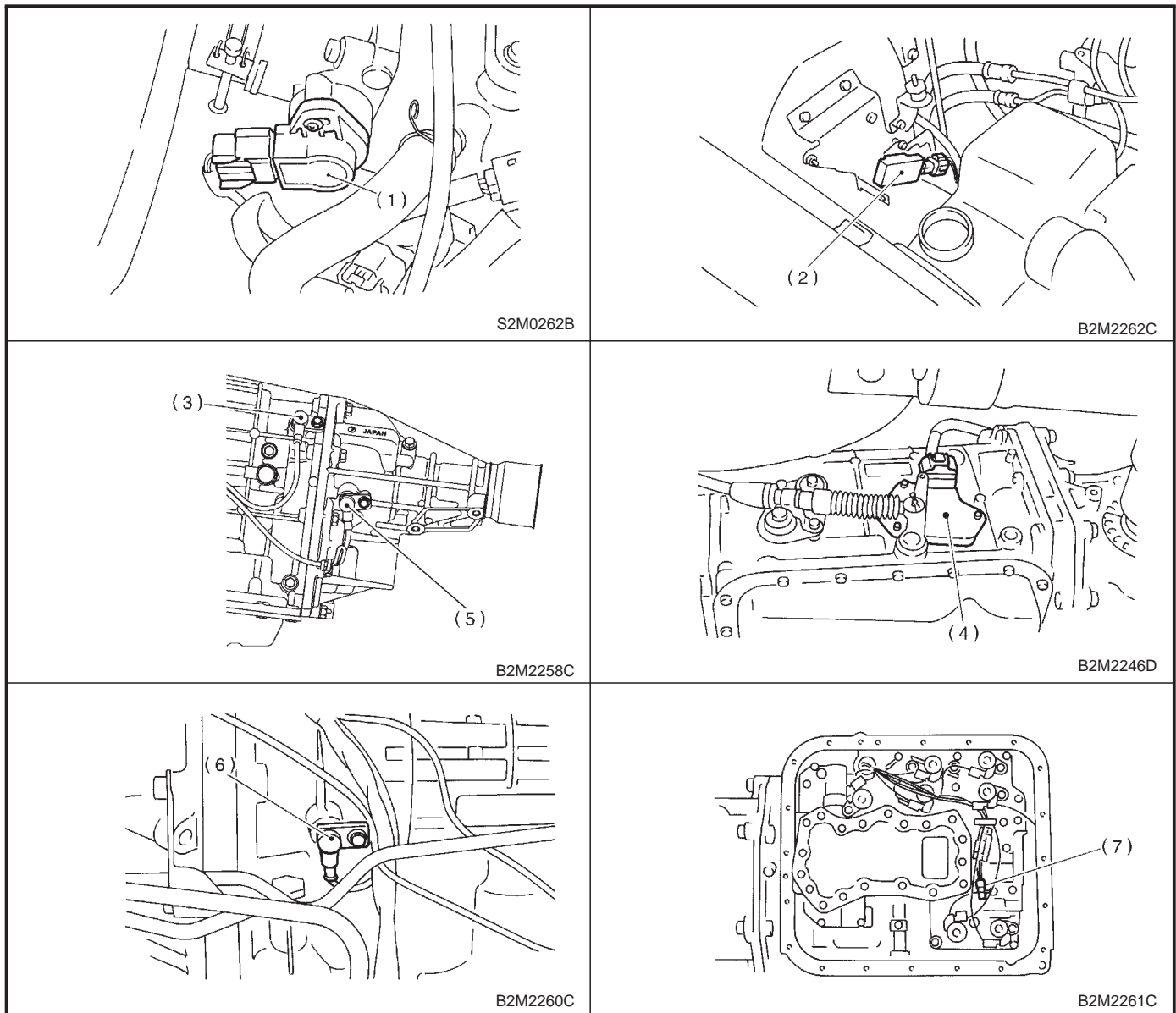


B: SENSOR

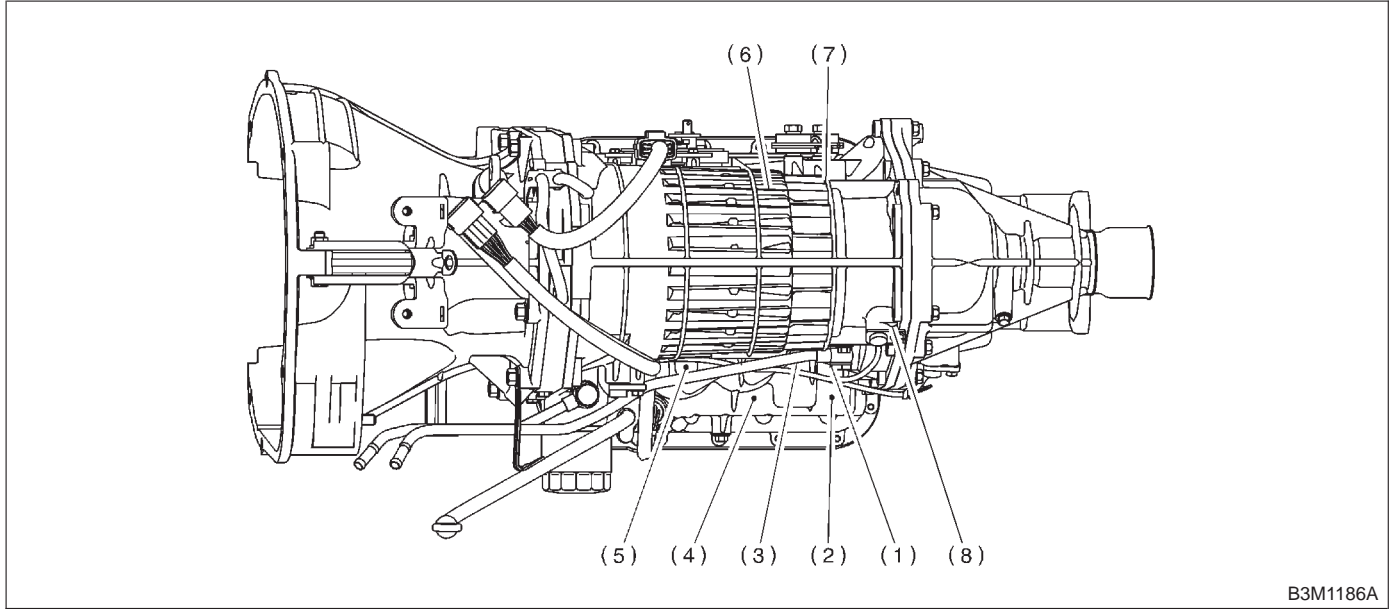


S3M0049D

- | | | |
|------------------------------------|-----------------------------------|---|
| (1) Throttle position sensor | (4) Inhibitor switch | (6) Torque converter turbine speed sensor |
| (2) Dropping resistor | (5) Vehicle speed sensor 1 (rear) | (7) ATF temperature sensor |
| (3) Vehicle speed sensor 2 (front) | | |

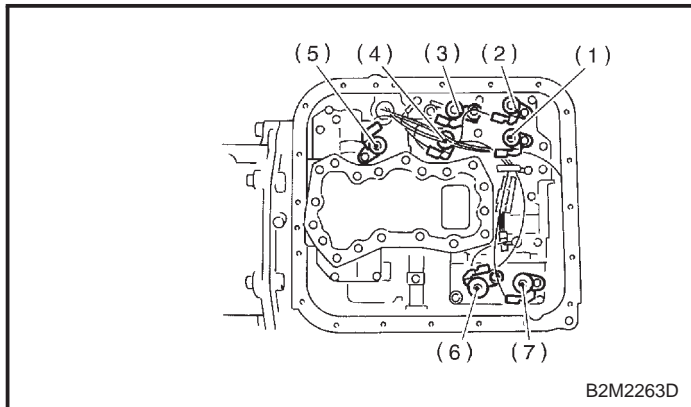


C: SOLENOID

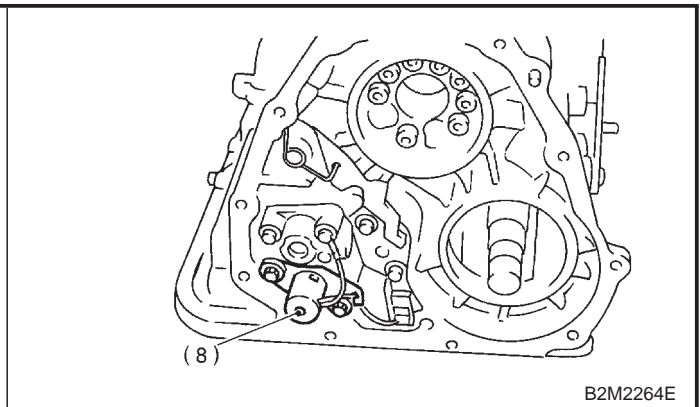


B3M1186A

- | | | |
|---------------------------------|--------------------------------|-------------------------------|
| (1) Shift solenoid 1 | (4) Low clutch timing solenoid | (7) 2-4 brake timing solenoid |
| (2) Shift solenoid 2 | (5) Lock-up duty solenoid | (8) Transfer duty solenoid |
| (3) Line pressure duty solenoid | (6) 2-4 brake duty solenoid | |



B2M2263D



B2M2264E