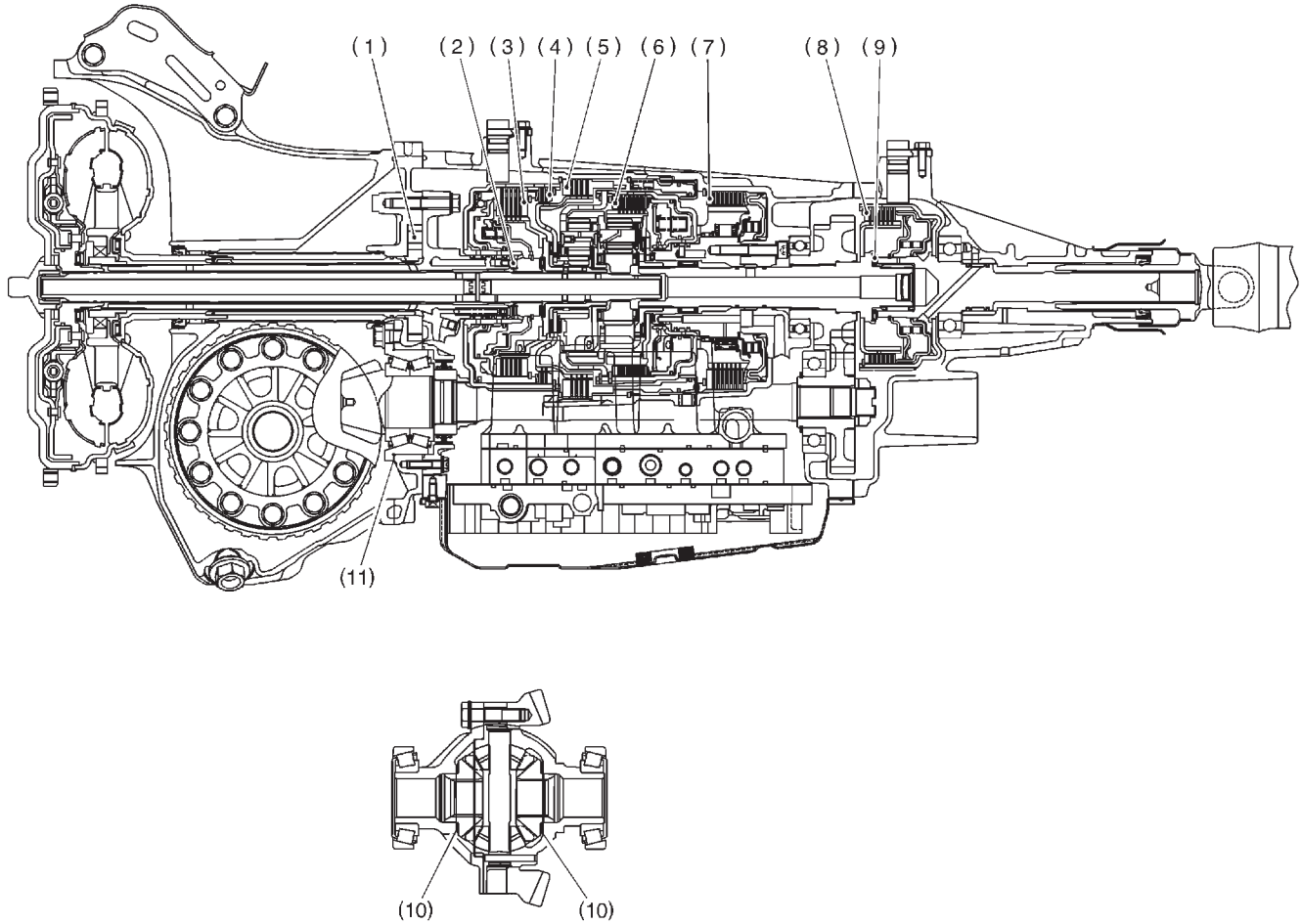


11. Adjusting Parts



B3M1015A

No.	Part Name	Part Number	Dimension mm (in)	Application
1	Rotor (Oil pump)	15008AA060 15008AA070 15008AA080	11.37 — 11.38 (0.4476 — 0.4480) 11.38 — 11.39 (0.4480 — 0.4484) 11.39 — 11.40 (0.4484 — 0.4488)	Adjusting side clearance of oil pump
2	Thrust bearing	806528050 806528060 806528070 806528080 806528090 806528100	4.11 (0.1618) 4.3 (0.169) 4.5 (0.177) 4.7 (0.185) 4.9 (0.193) 5.1 (0.201)	Adjusting total end play
3	Retaining plate (High clutch)	31567AA710 31567AA720 31567AA730 31567AA740 31567AA670 31567AA680 31567AA690 31567AA700	4.7 (0.185) 4.8 (0.189) 4.9 (0.193) 5.0 (0.197) 5.1 (0.201) 5.2 (0.205) 5.3 (0.209) 5.4 (0.213)	Adjusting clearance of high clutch
4	Retaining plate (Reverse clutch)	31567AA760 31567AA770 31567AA780 31567AA790 31567AA800	4.0 (0.157) 4.2 (0.165) 4.4 (0.173) 4.6 (0.181) 4.8 (0.189)	Adjusting clearance of reverse clutch
5	Retaining plate (2-4 brake)	31567AA612 31567AA622 31567AA632 31567AA642 31567AA652 31567AA662	5.6 (0.220) 5.8 (0.228) 6.0 (0.236) 6.2 (0.244) 6.4 (0.252) 6.6 (0.260)	Adjusting clearance of 2-4 brake
6	Retaining plate (Low clutch)	31567AA830 31567AA840 31567AA850 31567AA860 31567AA870	3.8 (0.150) 4.0 (0.157) 4.2 (0.165) 4.4 (0.173) 4.6 (0.181)	Adjusting clearance of low clutch
7	Retaining plate (Low and reverse brake)	31667AA320 31667AA330 31667AA340 31667AA350 31667AA360 31667AA370 31667AA380	4.2 (0.165) 4.5 (0.177) 4.8 (0.189) 5.1 (0.201) 5.4 (0.213) 5.7 (0.224) 6.0 (0.236)	Adjusting clearance of low and reverse brake
8	Pressure plate (Transfer clutch)	31593AA151 31593AA161 31593AA171 31593AA181	3.3 (0.130) 3.7 (0.146) 4.1 (0.161) 4.5 (0.177)	Adjusting clearance of transfer clutch
9	Thrust bearing (Transfer clutch)	806536020 806535030 806535040 806535050 806535060 806535070 806535090	3.8 (0.150) 4.0 (0.157) 4.2 (0.165) 4.4 (0.173) 4.6 (0.181) 4.8 (0.189) 5.0 (0.197)	Adjusting end play of transfer clutch
10	Washer (Front differential)	803038021 803038022 803038023	0.95 (0.0374) 1.00 (0.0394) 1.05 (0.0413)	Adjusting backlash of differential bevel gear

SPECIFICATIONS AND SERVICE DATA

No.	Part Name	Part Number	Dimension mm (in)	Application
11	Drive pinion shim	31451AA050	0.150 (0.0059)	Adjusting drive pinion shim
		31451AA060	0.175 (0.0069)	
		31451AA070	0.200 (0.0079)	
		31451AA080	0.225 (0.0089)	
		31451AA090	0.250 (0.0098)	
		31451AA100	0.275 (0.0108)	

MEMO: